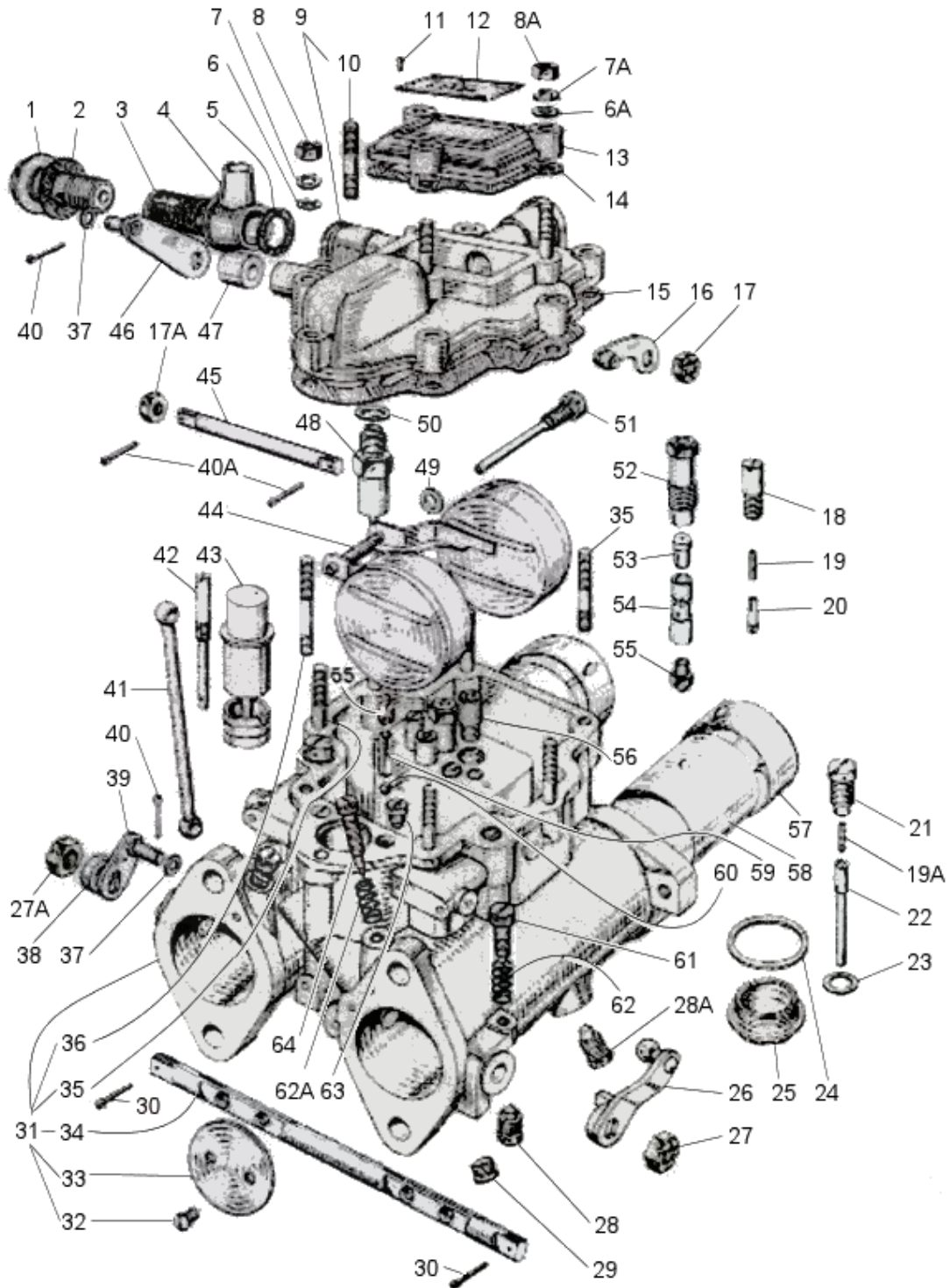




WEBER 40 DCO 3 - exploded view



<https://www.carbparts.eu>

Prices and product availability are subject to change



CarbDeal
Selling carburetor parts since 2005



WEBER 40 DCO 3 - Parts list

No	Part No	Price	Pcs	Description	No	Part No	Price	Pcs	Description
1	3062	€ 16.9	1	Tappo raccordo porta filtro	31	-	€ 0	1	Carburetor Body
2	235	€ 0	1	Gasket for connection	32	3718	€ 1.2	4	Throttle plate screw
3	241a	€ 0	1	Strainer	33	TS 766	€ 0	2	Throttle Valve
4	F 23	€ 0	1	Fuel Union	34	TS 726	€ 0	1	Throttle shaft
5	236	€ 0	1	Gasket for fuel filter casing	35	A 333	€ 0	6	— Stud bolt securing carburetor cover
6A	1356	€ 0	3	Washer for carburetor cover fixing nut	36	TS 714	€ 0	1	— Stud bolt securing carburetor cover
6	1356	€ 0	7	Washer for carburetor cover fixing nut	37	TS 244	€ 0	2	Rosetta per tirante comando pompa
7A	41	€ 0	3	Spring washer for carburetor small lid fixing nut	38	TS 729	€ 0	1	Boccola distanziale per alberino porta valvole a farfalla
7	41	€ 0	7	Spring washer for carburetor small lid fixing nut	39	TS 750a	€ 0	1	Leva principale comando pompa completa
8	51	€ 0	7	Carburetor small lid fixing nut	40	324	€ 0	2	Copiglia spaccata per tirante comando pompa
8A	51	€ 0	3	Carburetor small lid fixing nut	40A	324	€ 0	2	Copiglia spaccata ritegno dado alberino comando pompa
9	TS 1216a	€ 0	3	Coperchio carburatore completo comprendente:	41	TS 721	€ 0	1	Tirante comando pompa
10	1366	€ 0	3	— Stud bolt securing small lid	42	3916	€ 0	1	Pump discharge screw
11	517	€ 0	4	Chiodo fissaggio targhetta carburatore	43	TS 739a	€ 0	1	Start tulio pompa completo
12	TS 765	€ 0	1	Targhetta per carburatore	44	TS 752a	€ 0	1	Float
13	TS 712	€ 0	1	Copeichietlo ispezione getti	45	TS 727	€ 0	1	Alberino comando pompa
14	TS 717	€ 0	1	Guarnizione per coperchietto ispezione getti	46	TS 747a	€ 0	1	Leva esterna comando pompa completa
15	TS 718	€ 0	1	Carburetor Cover Gasket	47	TS 725	€ 0	1	Buccola distanziale per alberino comando pompa
16	TS 734a	€ 0	1	Leva interna comando pompa completa	48	TS 664a	€ 0	1	Valvola a spillo completa
17A	TS 52	€ 0	1	Dado esterno fissaggio leva comando pompa	49	1937	€ 0	1	Gasket for float fulcrum scre
17	TS 52	€ 0	1	Dado fissaggio leva interna comando pompa	50	TS 688	€ 0	1	Needle valve gasket
18	818	€ 0	2	Idle Jet Holder	51	TS 744a	€ 0	1	Float fulcrum screw
19A	817	€ 0	2	Spring for pump jet	52	TS 670	€ 0	2	Emulsifying tube holder
19	817	€ 0	2	Spring for pump jet	53	969	€ 0	2	Emulsion tube air corrector jet
20	820	€ 0	2	Idle Jet	54	TS 1211	€ 0	2	Emulsion Tube
21	TS 723	€ 0	2	Pump jet holder	55	TS 195	€ 0	2	Main jet
22	TS 707	€ 0	2	Pump jet	56	TS 713	€ 0	2	Getto aria minimo
23	TS 724	€ 0	2	Gasket for pump jet	57	TS 774	€ 0	2	Auxiliary Venturi
24	G 97	€ 0	1	Gasket for needle valve seat inspection tap	58	TS 759	€ 0	2	Choke tube
25	TS 715	€ 0	1	Float bowl exhaust screw plug	59	TS 1033	€ 0	2	Stuffing ball for high speed valve
26	TS 1213a	€ 0	1	Leva comando valvole a farfalla completa	60	756	€ 0	2	Ball for high speed valve
27A	TS 97	€ 0	1	Dadu fissaggio leva principale comando pompa	61	970	€ 0	1	Idling adjusting screw
27	TS 97	€ 0	1	Dado fissaggio leva comando valvole a farfalla	62A	38	€ 0	2	Spring for idle mixture adjusting screw
28A	TS 1222	€ 0	2	Choke Tube Fixing Screw	62	38	€ 0	1	Spring for idling adjusting screw
28	TS 1222	€ 0	2	Choke Tube Fixing Screw	63	937a	€ 0	1	Pump intake valve
29	TS 240	€ 0	2	Tapping screw for inspection holes	64	864	€ 0	2	Idle mixture adjusting screw
30	133	€ 0	2	Split pin	65	337	€ 0	2	Vite per valvola alta velocita

<https://www.carbparts.eu>

Prices and product availability are subject to change

