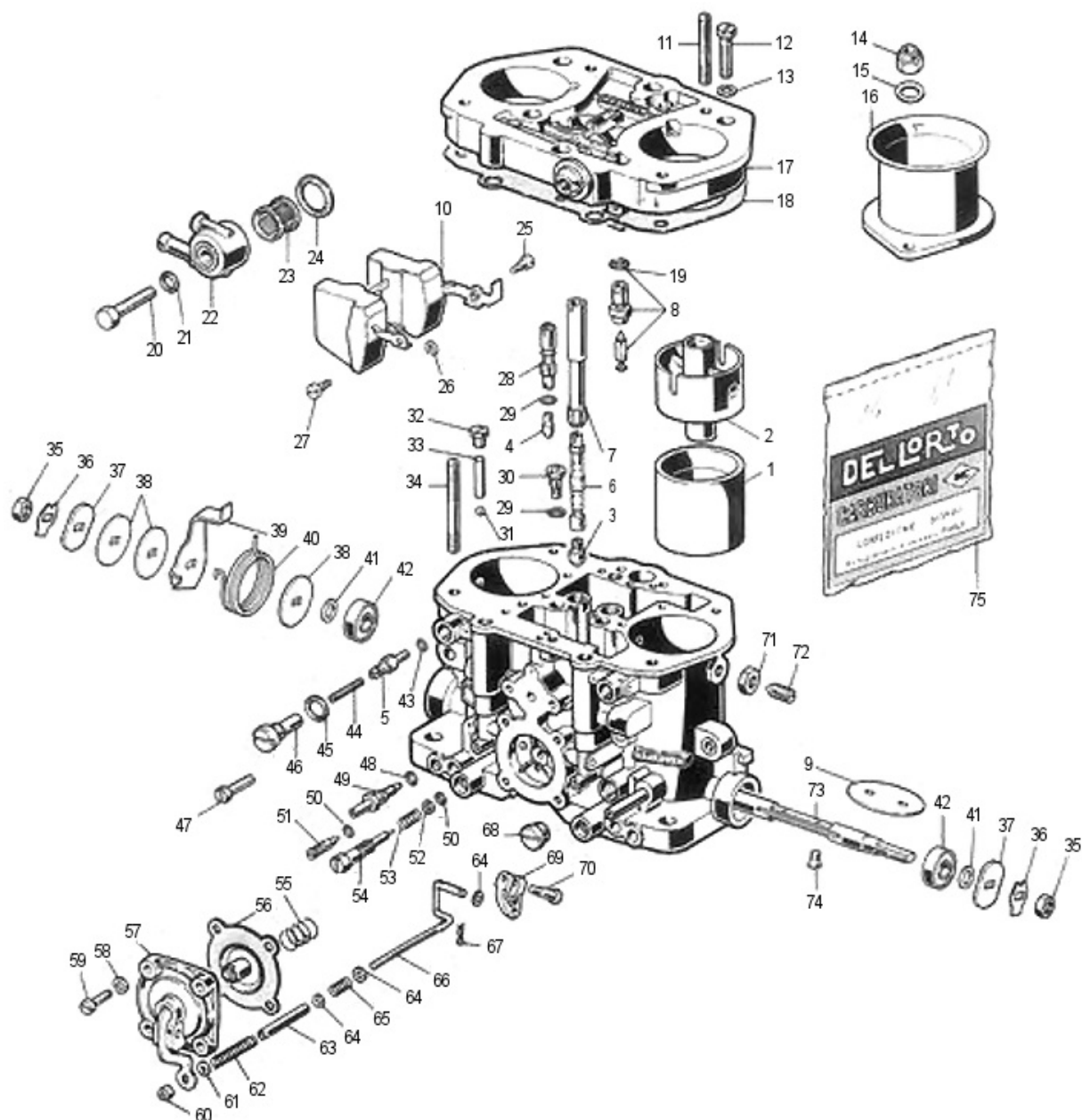




# DELLORTO 36 DRLA

## *Exploded view*



<https://www.carbparts.eu>

Los precios y la disponibilidad de los productos están sujetos a cambios



# DELLORTO 36 DRLA

## Lista de partes



No	Parte No	Precio	Pcs	Descripción
1	10074.28.65	\$ 20.9	2	Venturi
2	10078.1.68	-	2	Auxiliary venturi
3	7484.140.02	\$ 5.2	2	Main jet
4	7644	\$ 5.2	2	Idle jet
5	10927.55.02	\$ 7.6	2	Pump jet
6	9164.2.28	-	2	Main emulsion tube
7	10304.150.01	-	2	Main air corrector
8	10305.225.33	-	1	Needle valve
9	10133.2.64	-	2	Throttle valve
10	10090.1.80	-	1	Float g. 10
11	11148-36	\$ 5.5	2	Velocity stack securing stud
12	6430-36	\$ 1.8	5	Bowl cover securing screw
13	4957-23	-	5	Washer
14	8097-27	\$ 5.5	4	Velocity stack securing nut
15	6781-23	-	4	Washer
16	8257-55	\$ 39.4	2	Velocity stack
17	11071-54	-	1	Bowl cover
18	-	\$ 8.2	1	Bowl cover gasket
19	-	\$ 8.2	1	Needle valve gasket
20	10132-36	\$ 8.3	1	Union securing screw
21	-	\$ 8.2	1	Union securing screw gasket
22	11067-38	\$ 36.5	1	Fuel inlet pipe union
23	1419-29	\$ 5.5	1	Fuel filter
24	-	\$ 8.2	1	Union gasket
25	10154-22	\$ 4.1	1	Float pin
26	8498-21	-	1	Float clip
27	10339-22	\$ 9.3	1	Float pin
28	10738-32	\$ 16.9	2	Idle jet holder
29	-	\$ 8.2	3	Idle jet holder and intake valve gasket
30	7542-33	\$ 19.7	1	Intake valve
31	6415-03	\$ 3.5	2	Delivery valve
32	7513-34	\$ 8.4	2	Delivery valve seat plug
33	7636-42	\$ 9.8	2	Delivery valve weight
34	11149-36	-	2	Velocity stack securing stud
35	6423-27	\$ 1.1	2	Throttle spindle nut
36	6581-23	\$ 1.7	2	Retaining piato
37	7958-23	\$ 3.6	2	Washer
38	10130-23	-	3	Washer

No	Parte No	Precio	Pcs	Descripción
39	11066-26	-	1	Idle throttle adj. lever
40	10158-61	\$ 8.3	1	Throttle spindle return spring
41	7537-23	\$ 2.6	2	Washer
42	7490-45	\$ 2.2	2	Ball bearing
43	-	\$ 8.2	2	Pump jet gasket
44	10748-29	\$ 5	2	Fuel filter
45	-	\$ 8.2	2	Pump jet plug gasket
46	10928-34	\$ 25.3	2	Pump jet plug
47	9754-37	\$ 10.6	1	Idle throttle adj. screw
48	-	\$ 8.2	2	Pressure intake union gasket
49	10138-38	\$ 16.1	2	Pressure intake union
50	-	\$ 8.2	4	By-pass and idle mixture adj screw gasket
51	9926-37	\$ 8.6	2	By-pass screw
52	8260-23	-	2	Flat washer
53	9336-61	\$ 2.1	2	Idle mixture adj. screw spring
54	11068-37	\$ 11.9	2	Idle mixture adj. screw
55	9663-61	\$ 2.1	1	Pump diaphragm spring
56	10182-44	\$ 18.8	1	Pump diaphragm
56	10182-44	\$ 18.8	1	Pump diaphragm
57	10256-67	-	1	Pump cover
58	5011-23	\$ 1.1	4	Washer
59	6429-36	\$ 1.6	4	Pump cover securing screw
60	10315-27	-	1	Pump link nut
61	10340-23	-	1	Washer
62	10332-61	\$ 3.9	1	Pump link spring
63	10331-35	\$ 5.5	1	Distance tube
64	8260-23	-	3	Washer
65	9336-61	\$ 2.1	1	Pump link spring
66	10316-24	\$ 45.1	1	Pump lever link
67	10686-21	-	1	Clip
68	8857-34	\$ 11.2	2	Progression holes well plug
69	10153-26	\$ 25.2	1	Pump control lever
70	7667-36	\$ 4.2	1	Pump lever securing screw
71	6423-27	\$ 1.1	2	Aux. venturi screw securing nut
72	7507-36	\$ 7.3	2	Aux. venturi securing screw
73	10143-39	\$ 84.5	1	Throttle valves spindle
74	6416-36	\$ 2.2	4	Throttle valves securing screw
75	52549	-		Gasket set

<https://www.carbparts.eu>

Los precios y la disponibilidad de los productos están sujetos a cambios