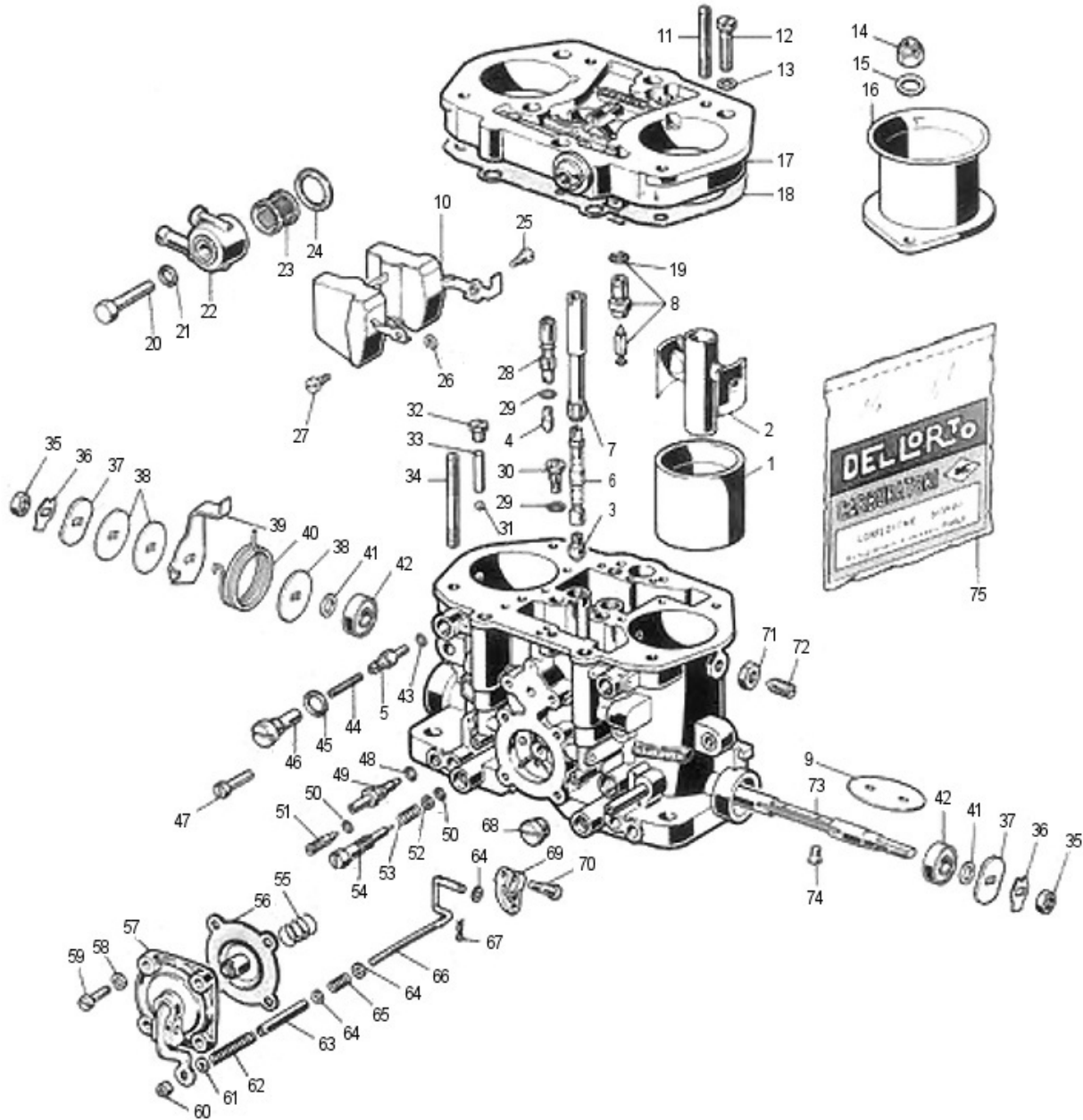




DELLORTO 40 DRLA

Exploded view



<https://www.carbparts.eu>

Prices and product availability are subject to change



DELLORTO 40 DRLA

List of parts



No	Part No	Price	Pcs	Description
1	10527.30.65	\$ 20.1	2	Venturi
2	10078.1.68	\$ 0	2	Auxiliary venturi
3	7484.160.02	\$ 5.5	2	Main jet
4	7644.60.02	\$ 5.5	2	Idle jet
5	10927.55.02	\$ 8	2	Pump jet
6	9164.2.28	\$ 0	2	Main emulsion tube
7	10304.150.01	\$ 0	2	Main air corrector
8	10305.225.33	\$ 0	1	Needle valve
9	7481.4.64	\$ 0	2	Throttle valve
10	10090.1.80	\$ 0	1	Float g 10
11	11148-36	\$ 5.2	2	Velocity stack securing stud
12	6430-36	\$ 1.7	5	Bowl cover securing screw
13	4957-23	\$ 0.8	5	Washer
14	8097-27	\$ 5.2	4	Velocity stack securing nut
15	6781-23	\$ 0.8	4	Washer
16	8257-55	\$ 37.3	2	Velocity stack
17	11071-54	\$ 0	1	Bowl cover
18	-	\$ 7.9	1	Bowl cover gasket
19	-	\$ 7.9	1	Needle valve gasket
20	10132-36	\$ 7.9	1	Union securing screw
21	-	\$ 7.9	1	Union securing screw gasket
22	11067-38	\$ 34.5	1	Fuel inlet pipe union
23	1419-29	\$ 5.8	1	Fuel filter
24	-	\$ 7.9	1	Union gasket
25	10154-22	\$ 3.9	1	Float pin
26	8498-21	\$ 0	1	Float clip
27	10339-22	\$ 8.8	1	Float pin
28	10738-32	\$ 16	2	Idle jet holder
29	-	\$ 7.9	3	Idle jet holder and intake valve gasket
30	7542-33	\$ 18.6	1	Intake valve
31	6415-03	\$ 3.3	2	Delivery valve
32	7513-34	\$ 8	2	Delivery valve seat plug
33	7636-42	\$ 9.2	2	Delivery valve weight
34	11149-36	\$ 0	2	Velocity stack securing stud
35	6423-27	\$ 2.1	2	Throttle spindle nut
36	6581-23	\$ 1.7	2	Retaining plate
37	7958-23	\$ 3.4	2	Washer

No	Part No	Price	Pcs	Description
38	10130-23	\$ 0	3	Washer
39	11066-26	\$ 0	1	Idle throttle adj. lever
40	10158-61	\$ 7.9	1	Throttle spindle return spring
41	7537-23	\$ 2.5	2	Washer
42	7490-45	\$ 21.2	2	Ball bearing
43	-	\$ 7.9	2	Pump jet gasket
44	10748-29	\$ 4.8	2	Fuel filler
45	-	\$ 7.9	2	Pump jet plug gasket
46	10928-34	\$ 24	2	Pump jet plug
47	9754-37	\$ 10	1	Idle throttle adj. screw
48	-	\$ 7.9	2	Pressure intake union gasket
49	10138-38	\$ 15.2	2	Pressure intake union
50	-	\$ 7.9	4	By-pass and Idle mixture adj. screw gasket
51	9926-37	\$ 4.9	2	By-pass screw
52	8260-23	\$ 0.2	2	Flat washer
53	9336-61	\$ 2.1	2	Idle mixture adj screw spring
54	11068-37	\$ 6.1	2	Idle mixture adj. screw
55	9663-61	\$ 2	1	Pump diaphragm spring
56	10182-44	\$ 19.8	1	Pump diaphragm
57	10256-67	\$ 0	1	Pump cover
58	5011-23	\$ 1	4	Washer
59	6429-36	\$ 1.5	4	Pump cover securing screw
60	10315-27	\$ 0	1	Pump link nut
61	10340-23	\$ 0	1	Washer
62	10332-61	\$ 3.7	1	Pump link spring
63	10331-35	\$ 5.2	1	Distance tube
64	8260-23	\$ 0.2	3	Washer
65	9336-61	\$ 2.1	1	Pump link spring
66	10316-24	\$ 42.6	1	Pump lever link
67	10686-21	\$ 0	1	Clip
68	8857-34	\$ 10.6	2	Progression holes well plug
69	10153-26	\$ 23.9	1	Pump control lever
70	7667-36	\$ 4	1	Pump lever securing screw
71	6423-27	\$ 2.1	2	Aux. venturi screw securing nut
72	7507-36	\$ 6.9	2	Aux. venturi securing screw
73	10790-39	\$ 101	1	Throttle valves spindle
74	6416-36	\$ 2.1	4	Throttle valves securing screw

<https://www.carbparts.eu>

Prices and product availability are subject to change