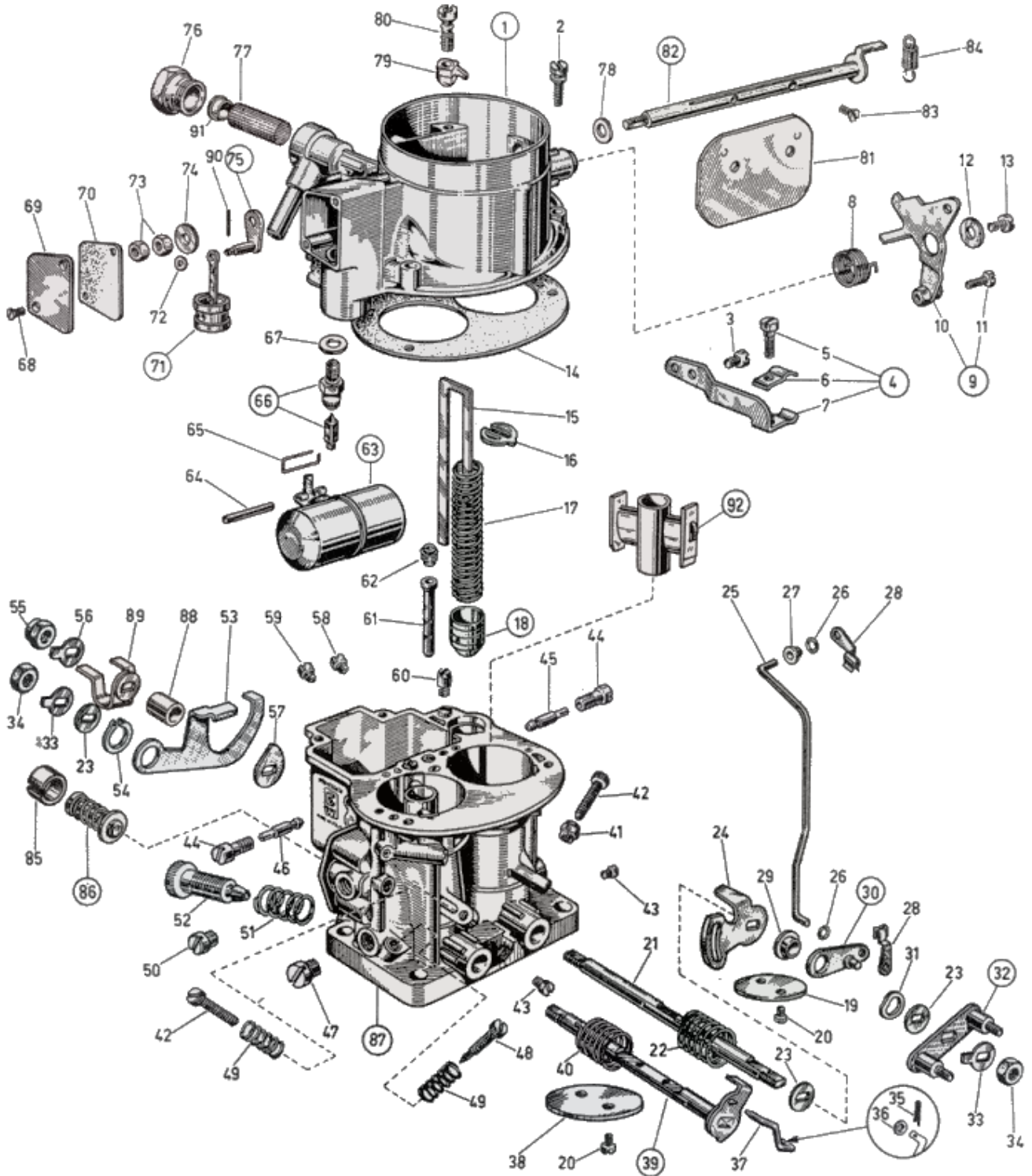




WEBER 28/36 DLE - exploded view



<https://www.carbparts.eu>

Prices and product availability are subject to change



CarbDeal
Selling carburetor parts since 2005



WEBER 28/36 DLE - Parts list

No	Part No	Price	Pcs	Description	No	Part No	Price	Pcs	Description
1	31716.057	€ 0	1	Carb Top Cover	46	41160.001	€ 6.2	1	Idle jet
2	64700.005	€ 0.5	4	Top Cover Fixing Screw	47	61015.009	€ 5	2	Inspection Screw
3	64700.012	€ 2.8	1	Lever Fixing Screw	48	64750.012	€ 13.7	1	Idle Mixture Screw
4	58702.001	€ 0	1	Sheat support Assy. including:	49	47600.007	€ 2.2	2	Idle Mixture Screw Spring
5	64615.007	€ 0	1	Š Screw securing wire	50	61015.001	€ 9.3	1	Vis pour trou de ralenti accÚÍÚrÚ
6	52145.001	€ 0	1	Š Sheat securing plate	51	47600.069	€ 0	1	Ressort pour vis de rÚglage de ralenti accÚÍÚrÚ
7	58700.003	€ 0	1	Š Sheat Support	52	64750.005	€ 0	1	Vis de rÚglage de ralenti accÚÍÚrÚ
8	47610.003	€ 0	1	Choke lever return spring	53	45067.004	€ 0	1	Pump Control Loosened Lever
9	45202.023	€ 0	1	Lever commande starter, complet de :	54	10140.301	€ 0	1	Locking Ring
10	45202.022	€ 0	1	- Lever	55	34720.009	€ 0	1	Nut
11	64615.004	€ 0	1	- Screw securing wire	56	55520.002	€ 1	1	Shaft Lock Tab
12	55510.002	€ 1.4	1	Normal washer	57	14850.017	€ 0	1	Cam
13	64700.012	€ 2.8	1	Lever Fixing Screw	58	41120.001	€ 2.7	1	Main jet
14	41705.022	€ 0	1	Carburetor Cover Gasket	59	41120.001	€ 2.7	1	Main jet
15	10400.012	€ 9.3	1	Pump Rod	60	64290.001	€ 6.6	1	Back bleed valve
16	52140.007	€ 6.2	1	Plunger Spring Retaining Plate	61	61440.341	€ 13.9	2	Emulsion tube
17	47600.029	€ 4.9	1	Pump Plunger Spring	62	41360.006	€ 0	2	Gicleur air de freinage
18	58602.009	€ 27	1	Pump plunger	63	41015.010	€ 0	1	Floater
19	64005.094	€ 0	1	Primary Throttle Plate	64	52000.015	€ 1.8	1	Float pivot
20	64520.023	€ 2.8	4	Throttle Plate Screwá	65	47620.003	€ 0	1	Needle valve clip
21	10000.448	€ 0	1	Primary Shaft	66	64235.009	€ 0	1	Float valve
21	10001.448	€ 0	1	Primary Throttle Shaft - Oversized	67	41535.015	€ 0	1	Needle valve gasket
22	47610.068	€ 0	1	Primary Shaft Return Spring	68	64570.009	€ 0.7	2	Inspection Cover Fixing Screw
23	55555.016	€ 1.9	3	Spring Washer	69	52135.011	€ 0	1	Inspection plate
24	45129.005	€ 0	1	Lever	70	41640.034	€ 0	1	Inspection plate Gasketá
25	61280.035	€ 0	1	Carb Rod	71	58602.008	€ 0	1	Choke plunger
26	41565.010	€ 0	2	Idle Mixture Screw O Ring	72	55510.009	€ 1.9	1	Flat Washer
27	12775.008	€ 6.2	1	Bushing	73	34705.001	€ 0.8	2	Secondary shaft fixing nut
28	47670.003	€ 4.4	2	Rod Clamp	74	55510.046	€ 1.4	1	Washer for loose lever
29	12775.027	€ 8.8	1	Bushing For Lever	75	45027.024	€ 0	1	Starter Control Lever
30	45027.019	€ 0	1	Lever	76	61002.013	€ 0	1	Fuel Filter Inspection Cover
31	55530.002	€ 3	1	Wavy Washer	77	37020.002	€ 4.9	1	Fuel Filter Element
32	45089.004	€ 16.8	1	Pivot Lever	78	55530.005	€ 3.7	1	Spring Ring
33	55520.002	€ 1	2	Shaft Lock Tab	79	41252.004	€ 13.7	1	Pump jet
34	34715.014	€ 1	2	Throttle Spindle Nut	80	64290.005	€ 0	1	Pump Demand Valve
35	32610.006	€ 0	1	Š Spilt pin	81	64010.002	€ 0	1	Choke throttle valve
36	55510.056	€ 1.4	1	Flat Washer	82	10015.207	€ 0	1	Choke shaft
37	61280.022	€ 0	1	Bielle de raccord	83	64570.007	€ 2.3	2	Throttle Plate Screwá
38	64005.095	€ 0	1	Secondary Throttle Plate	84	47605.006	€ 0	1	Spindle return spring
39	10015.451	€ 0	1	Secondary Throttle Shaft	85	10304.021	€ 0	1	Bague Úlastique de rÚtention soupape
39	10016.429	€ 0	1	Secondary Throttle Shaft Oversized	86	64372.001	€ 0	1	Soupape conique
40	47610.003	€ 4.9	1	Choke lever return spring	87	-	€ 0	1	Carburetor Body
41	34720.004	€ 0	1	Nut	88	12750.010	€ 0	1	Bushing
42	64585.005	€ 0	2	Primary throttle adjusting screw	89	45138.003	€ 0	1	Lever
43	61015.004	€ 6.9	2	Inspection Screw	90	52000.004	€ 0	1	Pin
44	52570.003	€ 14.7	2	Idle Jet Holder	91	61060.001	€ 0	1	Filter Washer
45	41160.001	€ 6.2	1	Idle jet	92	-	€ 0		

<https://www.carbparts.eu>

Prices and product availability are subject to change

