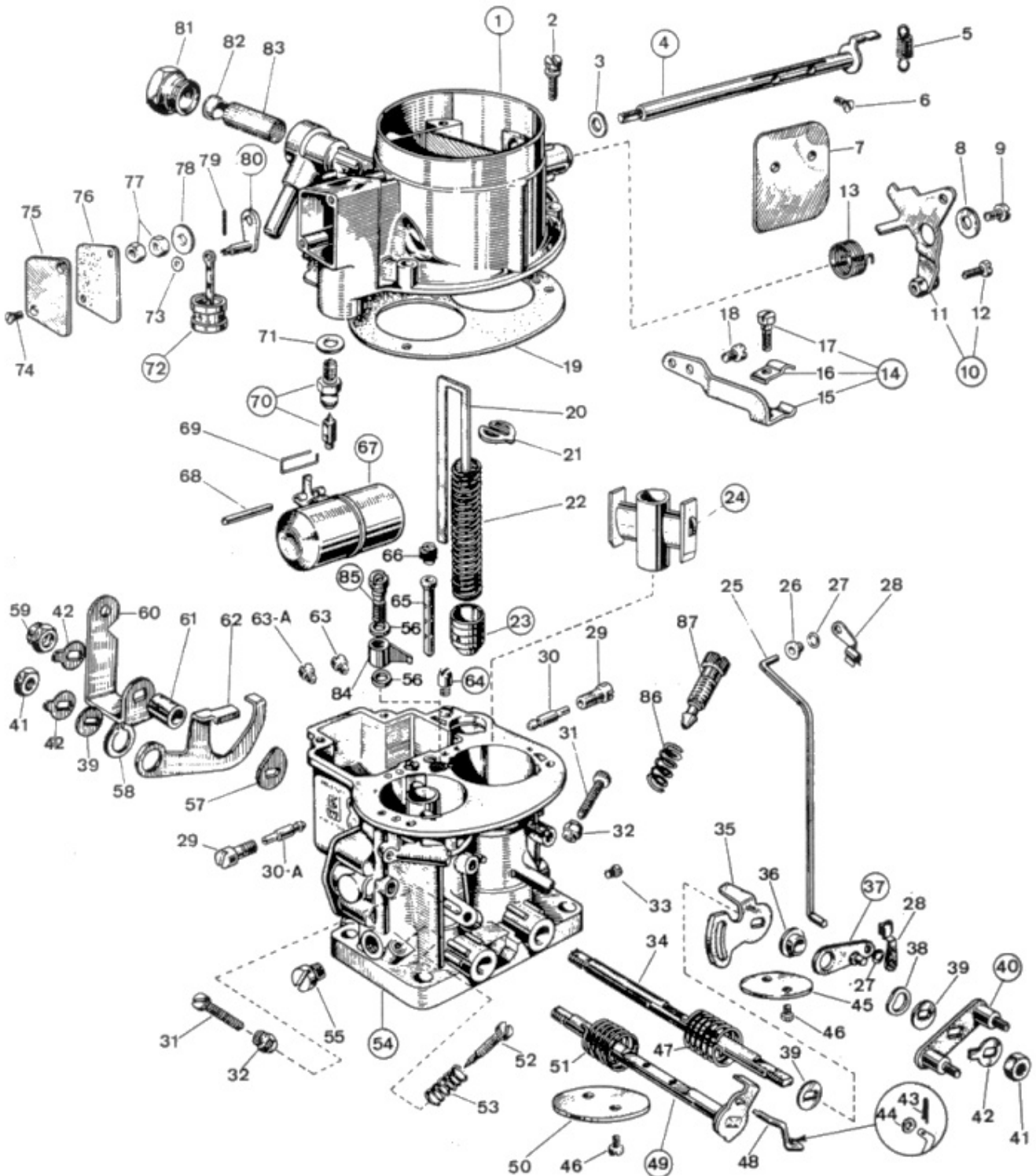


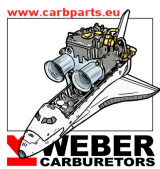


## WEBER 28/36 DM A1 - exploded view



<https://www.carbparts.eu>

Prices and product availability are subject to change



**CarbDeal**  
Selling carburetor parts since 2005



## WEBER 28/36 DM A1 - Parts list

No	Part No	Price	Pcs	Description	No	Part No	Price	Pcs	Description
1	31716.135	€ 0	1	Carb Top Cover	45	64005.094	€ 0	1	Primary Throttle Plate
1S	64700.012	€ 2.8	1	Lever Fixing Screw	46	64520.023	€ 2.8	4	Throttle Plate Screw
2	64700.005	€ 0.5	4	Top Cover Fixing Screw	47	47610.068	€ 0	1	Primary Shaft Return Spring
3	55530.005	€ 3.7	1	Spring Ring	48	61280.022	€ 0	1	Biellette de raccord
4	10015.245	€ 0	1	Choke shaft	49	10015.451	€ 0	1	Secondary Throttle Shaft
5	47605.006	€ 0	1	Spindle return spring	49	10016.429	€ 0	1	Secondary Throttle Shaft Oversized
6	64570.007	€ 2.3	2	Throttle Plate Screw	50	64005.095	€ 0	1	Secondary Throttle Plate
7	64010.022	€ 0	1	Starting Throttle Valve	51	47610.003	€ 4.9	1	Choke lever return spring
8	55510.002	€ 1.4	1	Normal washer	52	64750.012	€ 13.7	1	Idle Mixture Screw
9	64700.012	€ 2.8	1	Lever Fixing Screw	53	47600.007	€ 2.2	1	Idle Mixture Screw Spring
10	45202.023	€ 0	1	Choke Control Lever	54	-	€ 0	1	Carburetor Body
11	45202.022	€ 0	1	- Lever	55	61015.009	€ 5	2	Inspection Screw
12	64615.004	€ 0	1	- Screw securing wire	56	41530.012	€ 0	2	Pump jet gasket
13	47610.003	€ 4.9	1	Choke lever return spring	57	14850.017	€ 0	1	Cam
14	56702.001	€ 0	1	Sheat support Assy. including:	58	10140.301	€ 0	1	Locking Ring
15	58700.003	€ 0	1	— Sheat Support	59	34720.009	€ 0	1	Nut
16	52145.001	€ 0	1	— Sheat securing plate	60	45136.043	€ 0	1	Lever
17	64615.007	€ 0	1	— Screw securing wire	61	12750.010	€ 0	1	Bushing
18	64700.012	€ 2.8	1	Fixing screw	62	45067.004	€ 0	1	Pump Control Loosened Lever
19	41705.038	€ 0	1	Carburetor cover gasket	63-A	41120.001	€ 2.7	1	Main jet
20	10400.012	€ 9.3	1	Pump Rod	63	41120.001	€ 2.7	1	Main jet
21	52140.007	€ 6.2	1	Plunger Spring Retaining Plate	64	64290.001	€ 6.6	1	Back bleed valve
22	47600.029	€ 4.9	1	Pump Plunger Spring	65	61440.365	€ 28.8	1	Emulsion tube
23	58602.009	€ 27	1	Pump plunger	65	61440.211	€ 7.5	1	Secondary Emulsion Tube
24	31956.005	€ 0	2	Auxiliary Venturi	66	41360.011	€ 0	1	Air corrector jet
25	61280.035	€ 0	1	Carb Rod	66	41360.010	€ 0	1	Air corrector jet
26	12775.008	€ 6.2	1	Bushing	67	41015.010	€ 0	1	Float
27	41565.010	€ 0	2	Idle Mixture Screw O Ring	68	52000.015	€ 1.8	1	Float pivot
28	47670.003	€ 4.4	2	Rod Clamp	69	47620.003	€ 0	1	Needle valve clip
29	52570.003	€ 14.7	2	Idle Jet Holder	70	64235.009	€ 0	1	Float valve
30-A	41160.001	€ 6.2	1	Idle jet	71	41535.015	€ 0	1	Needle valve gasket
30	41160.001	€ 6.2	1	Idle jet	72	58602.008	€ 0	1	Choke plunger
31	64585.005	€ 0	2	Throttle stop screw	73	55510.009	€ 1.9	1	Flat Washer
32	34720.004	€ 0	2	Nut	74	64570.009	€ 0.7	2	Inspection Cover Fixing Screw
33	61015.004	€ 6.9	1	Inspection Screw	75	52135.011	€ 0	1	Inspection plate
34	10001.448	€ 0	1	Primary Throttle Shaft - Oversized	76	41640.034	€ 0	1	Inspection plate Gasket
34	10000.448	€ 0	1	Primary Shaft	77	34705.001	€ 0.8	2	Secondary shaft fixing nut
35	45129.005	€ 0	1	Lever	78	55510.046	€ 1.4	1	Washer for loose lever
36	12773.027	€ 0	1	Bushing For Lever	79	52000.004	€ 0	1	Pin
37	45027.018	€ 0	1	Lever	80	45027.024	€ 0	1	Starter Control Lever
38	55530.002	€ 0	1	Wavy Washer	81	61002.013	€ 0	1	Fuel Filter Inspection Cover
39	55555.016	€ 1.9	3	Spring Washer	82	61060.001	€ 0	1	Filter Washer
40	45089.004	€ 16.8	1	Pivot Lever	83	37020.002	€ 4.9	1	Fuel Filter Element
41	34715.014	€ 1	2	Throttle Spindle Nut	84	41252.001	€ 9.2	1	Pump jet
42	55520.002	€ 1	3	Shaft Lock Tab	85	64290.015	€ 0	1	Pump Demand Valve
43	32610.006	€ 0	1	— Spilt pin	86	47600.097	€ 0	1	Compression Spring
44	55510.056	€ 1.4	1	Flat Washer	87	64750.027	€ 20.4	1	Idling adjustment screw

<https://www.carbparts.eu>

Prices and product availability are subject to change

