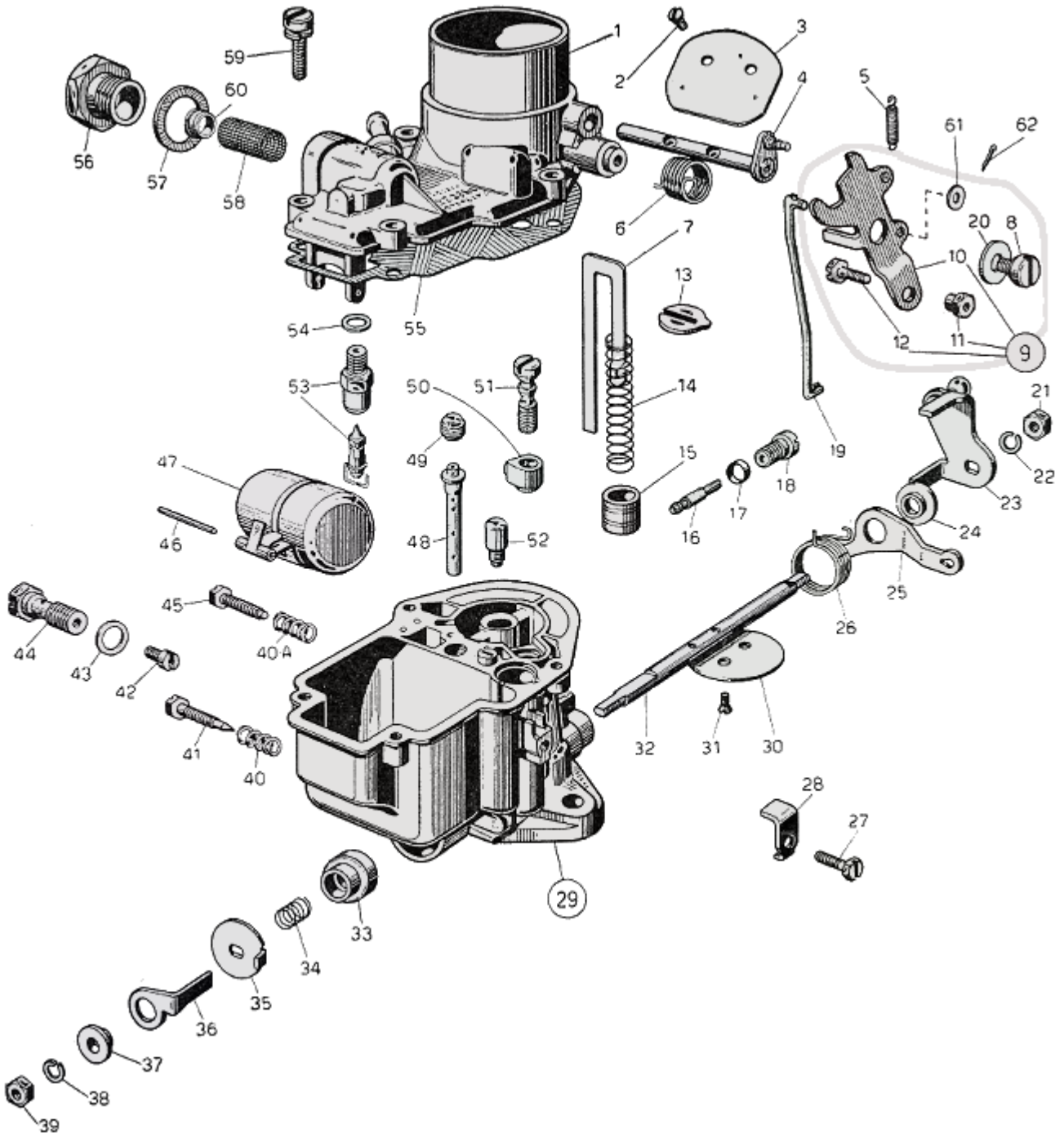


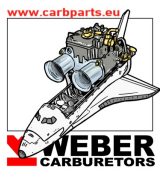


## WEBER 28 ICP - exploded view



<https://www.carbparts.eu>

Prices and product availability are subject to change



**CarbDeal**  
Selling carburetor parts since 2005



## WEBER 28 ICP - Parts list

No	Part No	Price	Pcs	Description	No	Part No	Price	Pcs	Description
1	31706.014	€ 0	1	Carburetor Body	32	10001.202	€ 0	1	Primary Throttle Shaft - Oversized
2	64570.007	€ 2.3	2	Throttle Plate Screw	33		€ 0	1	Bushing
3	64010.005	€ 0	1	Choke throttle valve	34	47600.006	€ 0	1	Bush retaining spring
4	10015.214	€ 84.8	1	Choke shaft	35	45136.012	€ 0	1	Throttle Stop
5	47605.017	€ 4.9	1	Spring	36	45136.003	€ 0	1	Lever
6	47610.003	€ 4.9	1	Choke lever return spring	37	12775.017	€ 0	1	Bushing
7	10400.016	€ 9.3	1	Pump Rod	38	55525.001	€ 0	1	Spring Washer
8	64700.012	€ 2.8	1	Lever Fixing Screw	39	34705.001	€ 0.8	1	Nut
9	45202.004	€ 0	1	Choke control lever Assy including	40	47600.084	€ 5.2	1	— Spring
10	45202.005	€ 0	1	— Throttle Lever	40 A	47600.084	€ 5.2	1	— Spring
11	34720.002	€ 0	1	— Cold Start Nut	41	64755.006	€ 11.1	1	Idling adjusting screw
12	64800.002	€ 0	1	— Screw securing wire	42	41120.001	€ 2.7	1	Main jet
13	52140.006	€ 4.8	1	Pump Screen retainer	43	41540.001	€ 1.7	1	Gasket
14	47600.068	€ 4.6	1	Pump rod spring	44	52590.001	€ 18.8	1	Jet Holder
15	58602.001	€ 0	1	Pump plunger	45	64625.002	€ 3.6	1	Throttle Stop Screw
16	41160.001	€ 6.2	1	Idle jet	46	52000.01	€ 0	1	Float Fulcrum Pin
17	41555.004	€ 0	1	Pump Jet Cover O ring	47	41015.002	€ 0	1	Float
18	52570.005	€ 6.2	1	Idle Jet Holder	48	61440.451	€ 0	1	Emulsion Tube
19	61280.007	€ 0	1	Choke Control Rod	49	41360.001	€ 2.1	1	Air bleed jet
20	55510.002	€ 1.4	1	Spring Washer	50	41252.004	€ 13.7	1	Pump jet
21	34705.001	€ 0.8	1	Nut	51	64290.005	€ 16.2	1	Valve
22	55525.001	€ 0	1	Spring Washer	52	64290.001	€ 6.6	1	Back bleed valve
23A	45041.017	€ 31.5	1	Leva comando farfalla 28 ICP 3-6	53	64240.008	€ 0	1	Float valve
23	45041.002	€ 0	1	Leva comando farfalla 28 ICP 1 .	54	41535.015	€ 0	1	Needle valve gasket
24	12775.016	€ 0	1	Bushing	55	41700.015	€ 0	1	Top Cover Gasket
25	45032.053	€ 0	1	Leva per minimo veloce	56	61002.011	€ 0	1	Fuel Filter Cover
26	47610.016	€ 5.5	1	Lever return spring	57	41530.024	€ 0.3	1	Fuel Union Gasket
27	64615.005	€ 0	1	Inspection Cover Fixing Screw	58	37022.002	€ 3.7	1	Filter element
28	52145.002	€ 2	1	Sheat securing plate	59	64700.005	€ 0.5	4	Top Cover Fixing Screw
29		€ 0	1	Carburettor body	60		€ 0	1	
30	64005.021	€ 18.4	1	Throttle plate	61	55510.019	€ 1.2	1	Spring Washer
31	64570.007	€ 2.3	2	Throttle Plate Screw	62	32610.005	€ 1.4	1	Spilt pin
32	10000.205	€ 0	1	Primary Shaft					

<https://www.carbparts.eu>

Prices and product availability are subject to change

