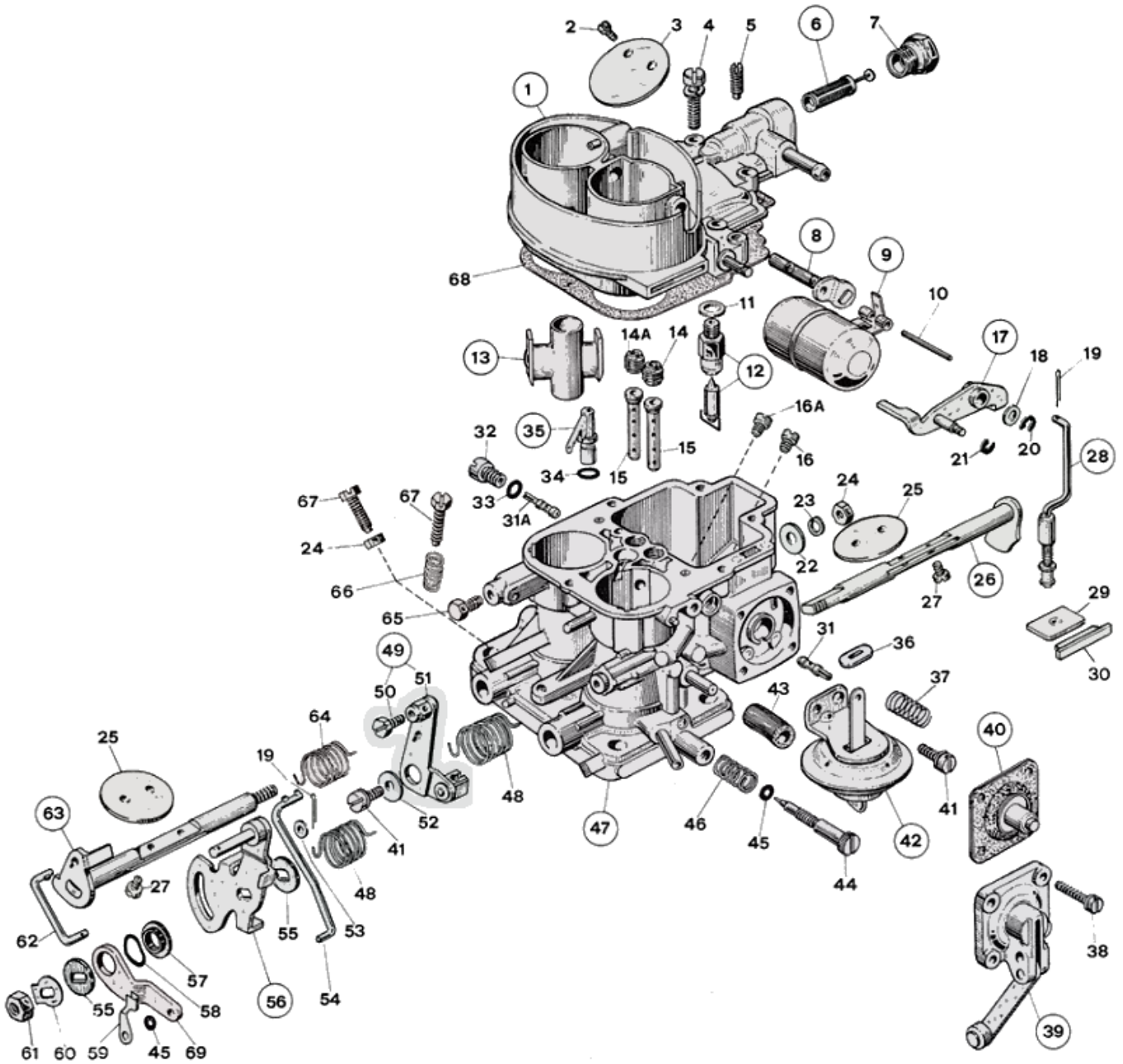




WEBER 30 DGS - exploded view



<https://www.carbparts.eu>

Prices and product availability are subject to change



CarbDeal
Selling carburetor parts since 2005



WEBER 30 DGS - Parts list

| No | Part No | Price | Pcs | Description | No | Part No | Price | Pcs | Description |
|------|-----------|---------|-----|----------------------------------|----|--------------|---------|-----|------------------------------------|
| 1 | 31716.171 | \$ 0 | 1 | Carb Top Cover | 34 | 41565.001 | \$ 0 | 1 | Pump Jet 'O' Ring |
| 2 | 64525.003 | \$ 0 | 2 | Choke plate fixing screw | 35 | 41254.008 | \$ 14.8 | 1 | Pump jet |
| 3 | 64010.031 | \$ 0 | 1 | Choke throttle valve | 36 | 52135.019 | \$ 0 | 1 | Dust seal plate |
| 4 | 64700.005 | \$ 0.6 | 5 | Top Cover Fixing Screw | 37 | 47600.107 | \$ 7.5 | 1 | Pump Spring |
| 5 | 64595.005 | \$ 10.9 | 1 | — Diaphragm adjusting screw | 38 | 64700.006 | \$ 0 | 4 | Pump Cover Screw |
| 6 | 37022.004 | \$ 8.4 | 1 | Filter element | 39 | 32486.050 | \$ 0 | 1 | Accelerator Pump Cover |
| 7 | 61002.019 | \$ 0 | 1 | Fuel Filter Cover | 40 | 47407.051 | \$ 0 | 1 | Pump diaphragm |
| 8 | 10015.260 | \$ 0 | 1 | Choke shaft | 41 | 64700.012 | \$ 3.3 | 2 | Lever Fixing Screw |
| 9 | 41015.011 | \$ 0 | 1 | Float | 42 | 57804.099 | \$ 56.8 | 1 | Botte de dispositif appauvrisseur |
| 10 | 52000.010 | \$ 2.2 | 1 | Float Fulcrum Pin | 43 | 61400.016 | \$ 0 | 1 | Pneumatic pump connecting pipe |
| 11 | 41535.015 | \$ 0 | 1 | Needle valve gasket | 44 | 64750.026 | \$ 0 | 1 | Idle Mixture Screw |
| 12 | 64240.008 | \$ 0 | 1 | Float valve | 45 | 41565.010 | \$ 0 | 2 | Idle Mixture Screw O Ring |
| 13 | 31966.024 | \$ 0 | 2 | Auxiliary venturi | 46 | 47600.095 | \$ 2.9 | 1 | Spring |
| 14 | 41360.014 | \$ 0 | 1 | Air corrector jet | 47 | non livrable | \$ 0 | 1 | Carburetor body |
| 14 | 41360.013 | \$ 0 | 1 | Air corrector jet | 48 | 47610.056 | \$ 5.9 | 2 | Spring |
| 15 | 61440.365 | \$ 34.5 | 2 | Emulsion tube | 49 | 45096.031 | \$ 0 | 1 | Choke Control Lever |
| 16-A | 41120.001 | \$ 3.2 | 1 | Main jet | 50 | 64615.004 | \$ 0 | 1 | - Screw securing wire |
| 16 | 41120.001 | \$ 3.2 | 1 | Main jet | 51 | 45096.030 | \$ 0 | 1 | - Choke Control Lever |
| 17 | 45069.020 | \$ 0 | 1 | Levier de commande appauvrisseur | 52 | 55510.002 | \$ 1.7 | 1 | Normal washer |
| 18 | 55510.034 | \$ 0.5 | 1 | Spring Washer | 53 | 55510.056 | \$ 1.7 | 1 | Flat Washer |
| 19 | 32610.005 | \$ 1.7 | 2 | Spilt pin | 54 | 61280.099 | \$ 0 | 1 | Carb Rod |
| 20 | 10140.502 | \$ 2.5 | 1 | Locking Ring | 55 | 55555.016 | \$ 2.3 | 2 | Shaft Spacer |
| 21 | 10140.505 | \$ 0 | 1 | Locking Ring | 56 | 45131.006 | \$ 0 | 1 | Slotted Lever |
| 22 | 55510.045 | \$ 0 | 1 | Spring Washer | 57 | 12775.027 | \$ 10.6 | 1 | Bushing For Lever |
| 23 | 55525.001 | \$ 0 | 1 | Spring Washer | 58 | 55530.002 | \$ 3.6 | 1 | Wavy Washer |
| 24 | 34705.001 | \$ 0.9 | 2 | Secondary shaft fixing nut | 59 | 47670.001 | \$ 0 | 1 | Rod Clamp |
| 25 | 64005.004 | \$ 17.4 | 2 | Throttle plate | 60 | 55520.002 | \$ 1.2 | 1 | Shaft Lock Tab |
| 26 | 10015.501 | \$ 0 | 1 | Primary Shaft | 61 | 34715.014 | \$ 1.2 | 1 | Throttle Spindle Nut |
| 26 | 10016.478 | \$ 0 | 1 | Oversized Primary Throttle Shaft | 62 | 61280.101 | \$ 0 | 1 | Carb Rod |
| 27 | 64520.023 | \$ 3.3 | 4 | Throttle Plate Screw | 63 | 10016.479 | \$ 0 | 1 | Secondary Throttle Shaft Oversized |
| 28 | 61287.014 | \$ 0 | 1 | Choke rod | 63 | 10015.502 | \$ 0 | 1 | Secondary Throttle Shaft |
| 29 | 52135.010 | \$ 3.5 | 1 | Dust seal plate | 64 | 47610.076 | \$ 6.6 | 1 | Lever return spring |
| 30 | 61070.002 | \$ 3.5 | 1 | Dust seal plug | 65 | 64605.017 | \$ 2.1 | 1 | — Choke Cable Clamp |
| 31-A | 41160.003 | \$ 3 | 1 | Idle jet | 66 | 47600.007 | \$ 2.6 | 1 | Idle Mixture Screw Spring |
| 31 | 41160.003 | \$ 3 | 1 | Idle jet | 67 | 64625.007 | \$ 0.1 | 2 | Throttle Adjustment Screw |
| 32 | 52570.006 | \$ 7.4 | 2 | Idle Jet Holder | 68 | 41705.045 | \$ 0 | 1 | Carburetor Cover Gasket |
| 33 | 41565.002 | \$ 0.5 | 2 | Throttle Stop Screw 'O' Ring | 69 | 45067.034 | \$ 0 | 1 | Lever |

<https://www.carbparts.eu>

Prices and product availability are subject to change

