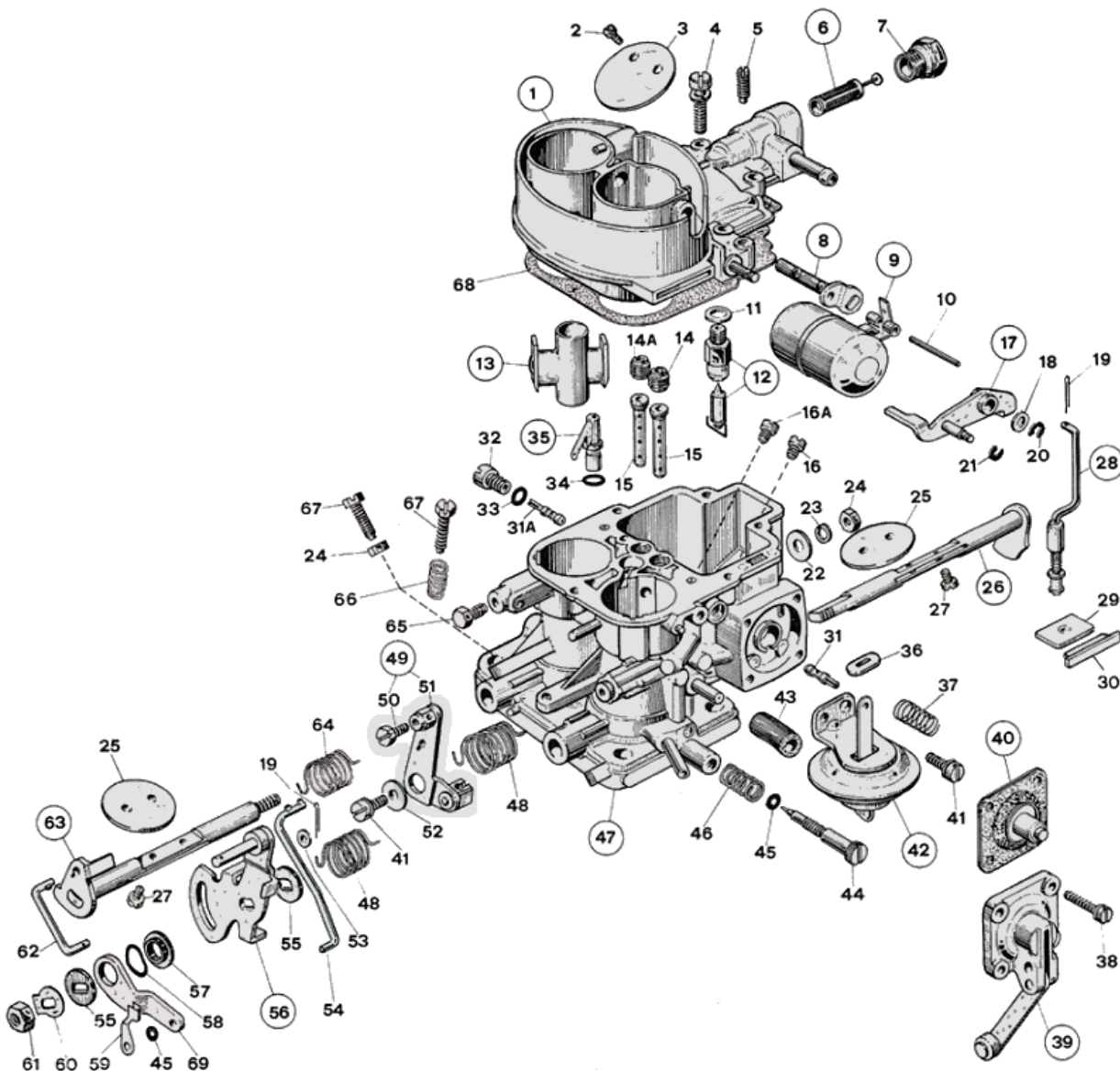




# WEBER 30 DGS

*Exploded view*



<https://www.carbparts.eu>

Los precios y la disponibilidad de los productos están sujetos a cambios



# WEBER 30 DGS

## Lista de partes



No	Parte No	Precio	Pcs	Descripción
1	31716.171	-	1	Carb Top Cover
2	64525.003	-	2	Choke plate fixing screw
3	64010.031	-	1	Choke throttle valve
4	64700.005	-	5	Top Cover Fixing Screw
5	64595.005	\$ 10.2	1	— Diaphragm adjusting screw
6	37022.004	\$ 10.5	1	Filter element
7	61002.019	-	1	Fuel Filter Cover
8	10015.260	-	1	Choke shaft
9	41015.011	-	1	Float
10	52000.010	\$ 2	1	Float Fulcrum Pin
11	41535.015	-	1	Needle valve gasket
12	64240.008	-	1	Float valve
13	31966.024	-	2	Auxiliary venturi
14	41360.014	\$ 3.3	1	Air corrector jet
14	41360.013	\$ 3.3	1	Air corrector jet
15	61440.365	\$ 32.3	2	Emulsion tube
16	41120.001	\$ 4.1	1	Main jet
16-A	41120.001	\$ 4.1	1	Main jet
17	45069.020	-	1	Levier de commande appauvrisseur
18	55510.034	-	1	Spring Washer
19	32610.005	\$ 1.5	2	Spilt pin
20	10140.502	\$ 2.3	1	Locking Ring
21	10140.505	-	1	Locking Ring
22	55510.045	-	1	Spring Washer
23	55525.001	-	1	Spring Washer
24	34705.001	-	2	Secondary shaft fixing nut
25	64005.004	\$ 16.3	2	Throttle plate
26	10015.501	-	1	Primary Shaft
26	10016.478	-	1	Oversized Primary Throttle Shaft
27	64520.023	-	4	Throttle Plate Screw
28	61287.014	-	1	Choke rod
29	52135.010	\$ 3.3	1	Dust seal plate
30	61070.002	\$ 3.3	1	Dust seal plug
31-A	41160.003	\$ 3.3	1	Idle jet
31	41160.003	\$ 3.3	1	Idle jet
32	52570.006	\$ 7	2	Idle Jet Holder
33	41565.002	-	2	Throttle Stop Screw 'O' Ring

No	Parte No	Precio	Pcs	Descripción
34	41565.001	-	1	Pump Jet 'O' Ring
35	41254.008	\$ 16.9	1	Pump jet
36	52135.019	-	1	Dust seal plate
37	47600.107	\$ 9.4	1	Pump Spring
38	64700.006	-	4	Pump Cover Screw
39	32486.050	-	1	Accelerator Pump Cover
40	47407.051	-	1	Pump diaphragm
41	64700.012	\$ 3.1	2	Lever Fixing Screw
42	57804.099	\$ 53.1	1	Botte de dispositif appauvrisseur
43	61400.016	-	1	Pneumatic pump connecting pipe
44	64750.026	-	1	Idle Mixture Screw
45	41565.010	-	2	Idle Mixture Screw O Ring
46	47600.095	\$ 2.7	1	Spring
47	non livrable	-	1	Carburetor body
48	47610.056	\$ 5.5	2	Spring
49	45096.031	-	1	Choke Control Lever
50	64615.004	-	1	- Screw securing wire
51	45096.030	-	1	- Choke Control Lever
52	55510.002	\$ 1.6	1	Normal washer
53	55510.056	\$ 1.6	1	Flat Washer
54	61280.099	-	1	Carb Rod
55	55555.016	\$ 2.2	2	Shaft Spacer
56	45131.006	-	1	Slotted Lever
57	12775.027	\$ 9.9	1	Bushing For Lever
58	55530.002	\$ 3.3	1	Wavy Washer
59	47670.001	-	1	Rod Clamp
60	55520.002	\$ 1.1	1	Shaft Lock Tab
61	34715.014	\$ 1.1	1	Throttle Spindle Nut
62	61280.101	-	1	Carb Rod
63	10015.502	-	1	Secondary Throttle Shaft
63	10016.479	-	1	Secondary Throttle Shaft Oversized
64	47610.076	\$ 6.1	1	Lever return spring
65	64605.017	\$ 1.7	1	— Choke Cable Clamp
66	47600.007	\$ 2.5	1	Idle Mixture Screw Spring
67	64625.007	-	2	Throttle Adjustment Screw
68	41705.045	-	1	Carburetor Cover Gasket
69	45067.034	-	1	Lever

<https://www.carbparts.eu>

Los precios y la disponibilidad de los productos están sujetos a cambios