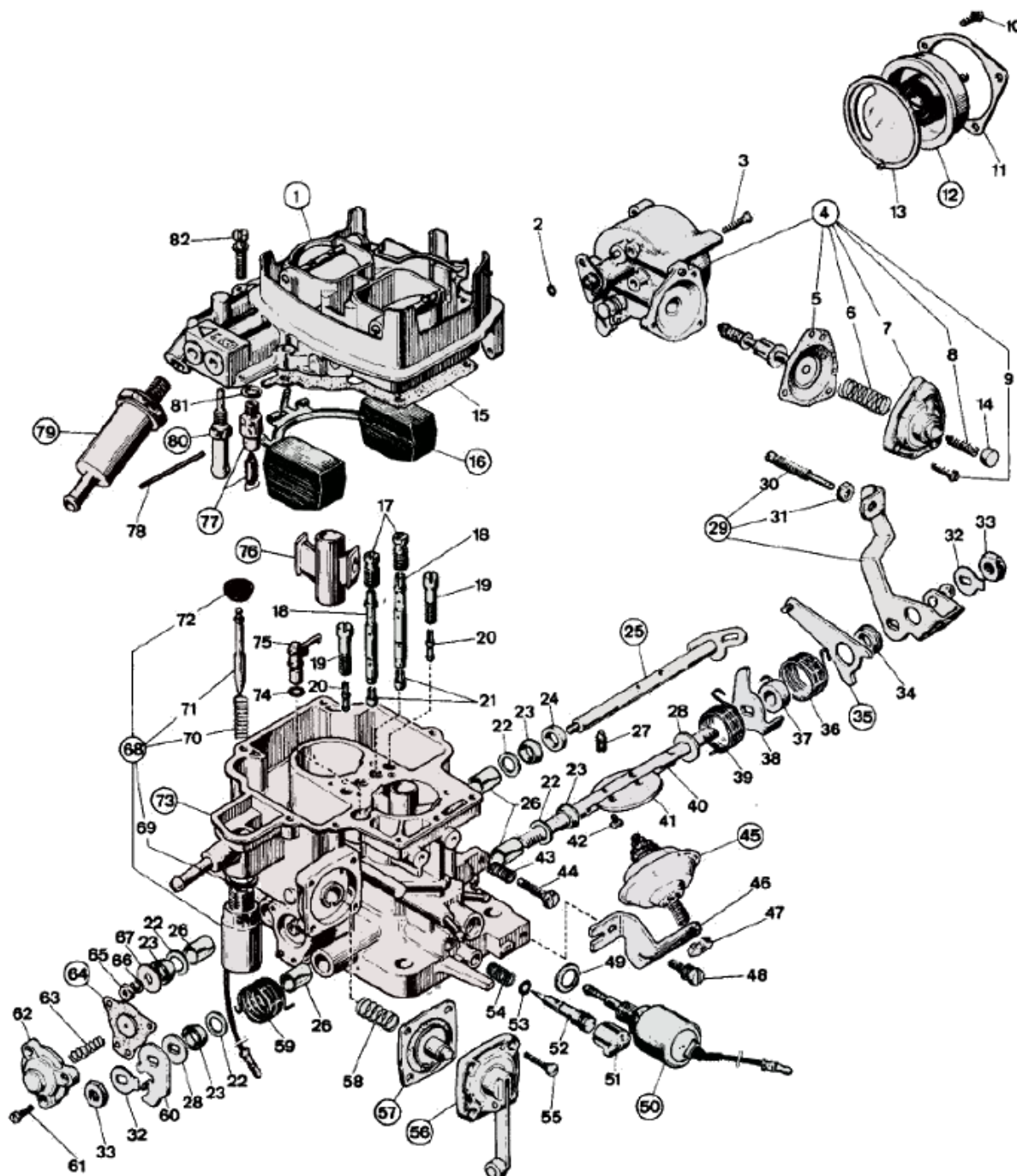




WEBER 32/34 DFT

Exploded view



<https://www.carbparts.eu>

Los precios y la disponibilidad de los productos están sujetos a cambios



WEBER 32/34 DFT

Lista de partes



| No | Parte No | Precio | Pcs | Descripción |
|----|--------------|---------|-----|--|
| 1 | Not Serviced | - | 1 | Top Cover Assembly |
| 2 | 41565.008 | - | 1 | Auto Choke O-Ring Seal |
| 3 | 64565.001 | - | 3 | Auto Choke Fixing Screw |
| 4 | 57804.400 | - | 1 | Auto Choke Assy. Including |
| 5 | 47407.159 | - | 1 | Choke Diaphragm |
| 6 | Not Serviced | - | 1 | Diaphragm Loading Spring |
| 7 | Not Serviced | - | 1 | Diaphragm Cover |
| 8 | Not Serviced | - | 1 | Diaphragm Adjusting Screw |
| 9 | Not Serviced | - | 3 | Diaphragm Cover Fixing Screw |
| 10 | 64615.005 | - | 3 | Plate Fixing Screw |
| 11 | 52135.029 | \$ 2.7 | 1 | Thermostat Housing Lock Ring |
| 12 | 57804.416 | - | 1 | Thermostat Housing |
| 13 | 41640.056 | - | 1 | Heat Sealing Gasket |
| 14 | Not Serviced | - | 1 | Screw Plug |
| 15 | 41705.057 | - | 1 | Carburetor Cover Gasket |
| 16 | 41030.012 | - | 1 | Float |
| 17 | 77501 | \$ 7.5 | 2 | Air Correction Jet |
| 18 | 61450 | \$ 12 | 2 | Emulsion Tube |
| 19 | 52570.004 | \$ 10.1 | 2 | Idle Jet Holder |
| 20 | 74403 | \$ 3.8 | 2 | Idle Jet |
| 21 | 73405 | \$ 5 | 2 | Main Jet |
| 22 | 55510.087 | - | 4 | Carb Washer |
| 23 | 52130.010 | \$ 4.9 | 4 | Shaft Bearing Plate |
| 24 | 12750.085 | \$ 4.3 | 1 | Spacer |
| 25 | 10015.255 | - | 1 | Secondary Shaft |
| 26 | 52130.010 | \$ 4.9 | 4 | Shaft Bearing Plate |
| 27 | Not Serviced | - | 1 | Secondary Throttle Adjusting Screw |
| 28 | 55555.019 | \$ 1.7 | 2 | Washer |
| 29 | Not Serviced | - | 1 | Throttle Valve Control Lever Including |
| 30 | 64595.025 | - | 1 | Fast Idle Adjusting Screw |
| 31 | 34715.018 | - | 1 | Adjusting Screw Fixing Nut |
| 32 | 55520.002 | \$ 1.1 | 2 | Lock Washer |
| 33 | 34715.014 | \$ 1.1 | 2 | Primary Shaft Fixing Nut |
| 34 | 47610.109 | - | 1 | Bushing For Free Lever |
| 35 | 45069.015 | - | 1 | Free Lever |
| 36 | 47610.109 | - | 1 | Spring For Free Lever |
| 37 | 12750.087 | - | 1 | Spacer |
| 38 | Not Serviced | - | 1 | Primary Throttle Control Lever |
| 39 | 47610.118 | - | 1 | Primary Shaft Return Spring |
| 40 | Not Serviced | - | 1 | Primary Shaft |
| 41 | 64005.090 | \$ 18.1 | 1 | Primary Throttle Plate |

| No | Parte No | Precio | Pcs | Descripción |
|----|--------------|---------|-----|----------------------------------|
| 42 | 64520.027 | - | 4 | Throttle Plate Fixing Screw |
| 43 | 47600.007 | \$ 2.6 | 1 | Spring Primary Throttle Lever |
| 44 | 64625.012 | \$ 8.2 | 1 | Primary Throttle Adjusting Screw |
| 45 | 10104.001 | - | 1 | Dash Pot |
| 46 | Not Serviced | - | 1 | Dash Pot Bracket |
| 47 | 34715.008 | - | 1 | Dash Pot Fixing Nut |
| 48 | Not Serviced | - | 1 | Dash Pot Bracket Fixing Screw |
| 49 | 41535.003 | - | 1 | Idle Cut Off Solenoid Gasket |
| 50 | 43840.014 | - | 1 | Idle Cut Off Solenoid |
| 51 | Not Serviced | - | 1 | Mixture Screw Tamper Proof Plug |
| 52 | 64750.051 | \$ 14 | 1 | Idle Mixture Adjusting Screw |
| 53 | 41565.001 | - | 1 | Mixture Screw O-Ring Seal |
| 54 | 47600.095 | \$ 2.8 | 1 | Idle Mixture Screw Spring |
| 55 | 64565.001 | - | 4 | Pump Cover Fixing Screw |
| 56 | Not Serviced | - | 1 | Pump Cover |
| 57 | 47407.261 | \$ 11.1 | 1 | Pump Diaphragm |
| 58 | 47600.107 | \$ 9.4 | 1 | Pump Loading Spring |
| 59 | 47610.012 | \$ 5.1 | 1 | Primary Shaft Return Spring |
| 60 | Not Serviced | - | 1 | Pump Cam |
| 61 | Not Serviced | - | 3 | Power Valve Cover Fixing Screw |
| 62 | Not Serviced | - | 1 | Power Valve Cover |
| 63 | 47600.131 | - | 1 | Power Valve Diaphragm Spring |
| 64 | 47407.156 | - | 1 | Power Valve Diaphragm |
| 65 | 34705.001 | - | 1 | Secondary Shaft Fixing Nut |
| 66 | 55525.001 | - | 1 | Spring Washer |
| 67 | Not Serviced | - | 1 | Washer |
| 68 | 92.4052.05 | - | 1 | EVAP Solenoid Includes |
| 69 | 41535.009 | - | 1 | Gasket |
| 70 | Not Serviced | - | 1 | Spring |
| 71 | Not Serviced | - | 1 | Spindle |
| 72 | Not Serviced | - | 1 | Sealing Valve |
| 73 | Not Serviced | - | 1 | Carburetor Body |
| 74 | 41565.002 | - | 1 | Pump Jet O-Ring |
| 75 | 76407 | \$ 13.8 | 1 | Pump Jet |
| 76 | 71115 | - | 2 | Auxiliary Venturi |
| 77 | 79519 | - | 1 | Needle Valve |
| 78 | 52000.036 | \$ 2.1 | 1 | Float Fulcrum Pin |
| 79 | 37022.005 | \$ 6.3 | 1 | Strainer |
| 80 | 10525.032 | - | 1 | Return Fuel Line Pipe |
| 81 | 83102.070 | - | 1 | Needle Valve Gasket |
| 82 | | - | | |

<https://www.carbparts.eu>

Los precios y la disponibilidad de los productos están sujetos a cambios