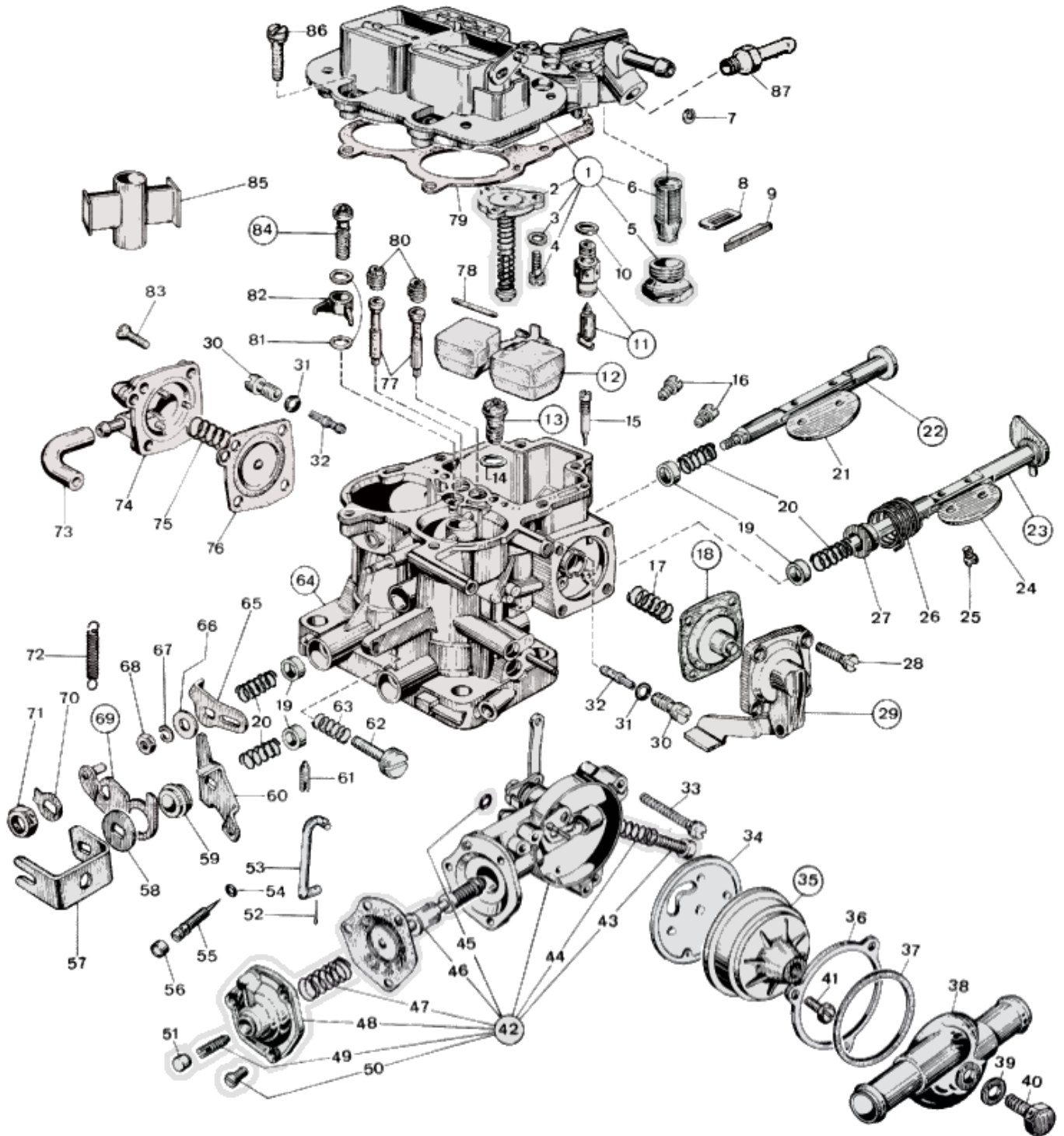


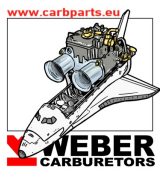


WEBER 32/36 DGAV 4 - exploded view



<https://www.carbparts.eu>

Prices and product availability are subject to change



CarbDeal
Selling carburetor parts since 2005



WEBER 32/36 DGAV 4 - Parts list

No	Part No	Price	Pcs	Description	No	Part No	Price	Pcs	Description
1	31716.711	€ 0	1	TOP COVER ASSY including:	45	41565.008	€ 0.8	1	— Auto-choke body « 0 » ring seal
2	57804.123	€ 12.5	1	— Power valve diaphragm	46	47407.162	€ 12.5	1	— Choke diaphragm
3	55510.038	€ 0	3	— Washer	47	47600.141	€ 6.3	1	— Diaphragm loading spring
4	64700.007	€ 0	3	— Power valve fixing screw	48	32384.045	€ 0	1	— Diaphragm cover
5	61002.018	€ 7.5	1	— Strainer inspection plug	49	64595.022	€ 0	1	— Diaphragm adjusting screw
6	37022.002	€ 3.7	1	— Strainer	50	64560.004	€ 0	3	— Diaphragm cover fixing screw
7	10140.501	€ 1.6	1	Lock ring	51	61075.011	€ 0	1	Screw plug
8	52135.018	€ 2.9	1	Dust seal plate	52	32610.005	€ 1.4	1	Split pin
9	61070.002	€ 2.9	1	Dust seal plug	53	61280.082	€ 7.3	1	Fast idle control rod
10	83102.070	€ 1.6	1	Needle valve gasket	54	41565.010	€ 0	1	Idle mixture screw « 0 » ring seal
11	79516.200	€ 7.4	1	Needle valve	55	64750.051	€ 12	1	Idle mixture adjusting screw
12	41030.020	€ 11.7	1	Float	56	61075.013	€ 6.2	1	Idle mixture tamper proof plug
13	64235.016	€ 12.5	1	Full power needle valve	57	45136.029	€ 15.9	1	Main lever
14	41530.013	€ 0	1	Full power valve gasket	58	55510.061	€ 1.9	1	Spacer
15	64900.001	€ 7.5	1	Pump discharge blanking screw	59	12765.002	€ 0	1	Free lever bush
16	73801.140	€ 2.9	1	Secondary main jet	60	45046.016	€ 0	1	Throttle valve control lever
16	73801.132	€ 5.7	1	Primary main jet	61	64595.005	€ 9.1	1	Secondary throttle adjusting screw
17	47600.092	€ 0	1	Pump loading screw	62	64585.007	€ 0	1	Primary throttle adjusting screw
18	47407.048	€ 7.5	1	Pump diaphragm	63	47600.007	€ 2.2	1	Primary throttle adjusting screw spring
19	12750.085	€ 2.7	4	Shaft retaining bush	64		€ 0	1	Main body
20	47600.027	€ 0	4	Bush retaining spring	65	45032.124	€ 10.2	1	Secondary throttle control lever
21	64005.034	€ 15.4	1	Secondary throttle valve	66	55510.046	€ 1.4	1	Washer
22	10015.492	€ 0	1	Secondary main shaft	67	55525.001	€ 0	1	Spring washer
23	10015.493	€ 0	1	Primary main shaft	68	34705.001	€ 0.8	1	Secondary shaft fixing nut
24	64005.090	€ 15.4	1	Primary throttle valve	69	45069.011	€ 0	1	Free lever
25	64520.023	€ 2.8	4	Throttle valve fixing screw	70	55520.002	€ 1	1	Primary shaft lock washer
26	47610.079	€ 4.9	1	Primary main shaft return spring	71	34715.014	€ 1	1	Primary shaft fixing nut
27	12765.047	€ 0	1	Spacer	72	45605.010	€ 0	1	Free lever return spring
28	64565.001	€ 0	4	Pump cover fixing screw	73	61400.022	€ 0	1	Pneumatic pump connecting pipe
29	32486.076	€ 0	1	Pump cover	74	32486.075	€ 49.4	1	Pneumatic pump cover
30	52570.006	€ 6.2	2	Idle jet holder	75	47600.233	€ 0	1	Pneumatic pump loading spring
31	41565.002	€ 0.4	1	Idle jet holder « 0 » Ring seal	76	47407.115	€ 7.5	1	Pneumatic pump diaphragm
32	74403.045	€ 2.9	1	Primary idle jet	77	61440.220	€ 7.5	1	Primary emulsion tube
32	74403.045	€ 2.9	1	Secondary idle jet	77	61440.220	€ 7.5	1	Secondary emulsion tube
33	64700.008	€ 5.6	3	Auto-choke body fixing screw	78	52000.015	€ 1.8	1	Float pivot
34	41640.052	€ 2.9	1	Heat seal gasket	79	41705.040	€ 2.5	1	Top cover gasket
35	57804.138	€ 0	1	Thermostat housing	80	77201.175	€ 2.9	1	Primary air correction jet
36	52135.006	€ 3.8	1	Thermostat housing locking ring	80	77201.125	€ 2.9	1	Secondary air correction jet
37	41555.001	€ 0.4	1	Water cover seal gasket	81	41530.012	€ 0	2	Pump jet gasket
38	32444.005	€ 55.8	1	Water cover	82	76212.045	€ 10.9	1	Pump jet
39	41530.002	€ 1.8	1	Water cover screw gasket	83	64565.001	€ 0	4	Pneumatic pump cover fixing screw
40	64610.014	€ 6.5	1	Water cover fixing screw	84	64290.017	€ 0	1	Pump delivery valve
41	64615.005	€ 0	3	Lock ring fixing screw	85	70936.450	€ 0	1	Secondary auxiliary venturi
42	57804.265	€ 20.9	1	AUTO-CHOKE ASSY including:	85	70936.350	€ 0	1	Primary auxiliary venturi
43	64590.004	€ 4.6	1	— Fast idle lever adjusting screw	86	64700.001	€ 0.5	6	Top cover fixing screw
44	47600.007	€ 2.2	1	— Spring	87	10525.023	€ 2.4	3	Inlet pipe

<https://www.carbparts.eu>

Prices and product availability are subject to change

