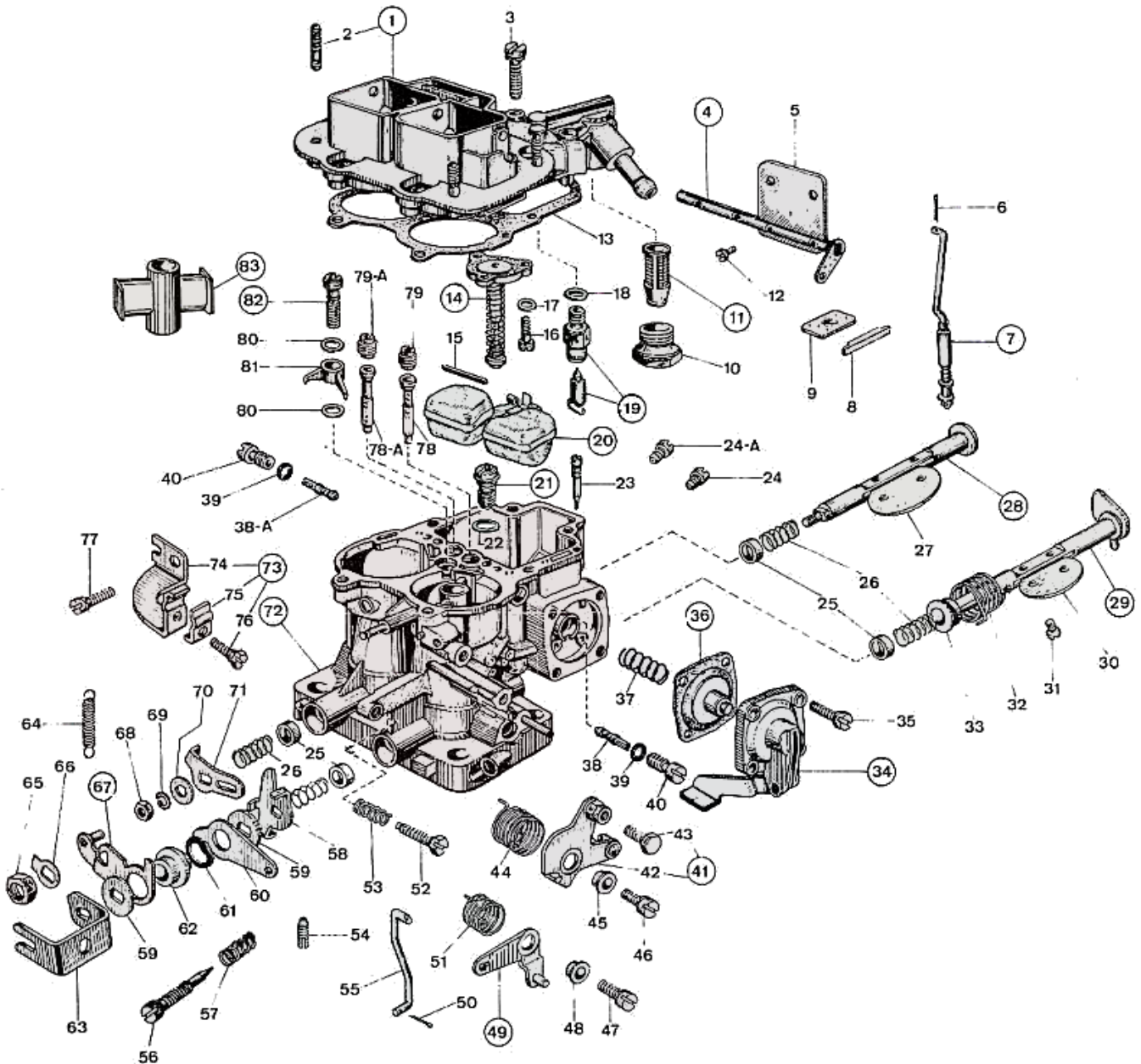




WEBER 32/36 DGV 5A - exploded view



<https://www.carbparts.eu>

Prices and product availability are subject to change



CarbDeal
Selling carburetor parts since 2005



WEBER 32/36 DGV 5A - Parts list

No	Part No	Price	Pcs	Description	No	Part No	Price	Pcs	Description
1	31716.132	€ 0	1	Carburetor cover Assy, including:	43	64615.004	€ 0	1	- Screw securing wire
2	64955.002	€ 7.4	4	- Stud holt	44	47610.058	€ 0	1	Spring for choke lever
3	64700.001	€ 0.5	6	Carb. cover fixing screw	45	12775.010	€ 8.7	1	Bushing for choke lever
4	10020.222	€ 19.2	1	Choke shaft & lever Assy	46	64700.012	€ 2.8	1	Choke lever fixing screw
5	64010.007	€ 7.5	2	Choke throttle valve	47	64700.012	€ 2.8	1	Square lever fixing screw
6	32610.005	€ 1.4	1	Split pin	48	12775.010	€ 8.7	1	Bushing for square lever
7	61287.003	€ 0	1	Choke rod	49	45096.025	€ 21.9	1	Fast idle control square lever Assy
8	61070.002	€ 2.9	1	Dust seal plug	50	32610.005	€ 1.4	1	Split pin
9	52135.010	€ 2.9	1	Dust seal plate	51	47610.033	€ 0	1	Spring for square lever
10	61002.018	€ 7.5	1	Strainer inspection plug	52	64625.017	€ 8.8	1	Primary throttle adjusting screw
11	37022.003	€ 3.7	1	Strainer Assy	53	47600.007	€ 2.2	1	Spring for throttle adjusting screw
12	64525.003	€ 0	4	Choke plates fixing screw	54	64595.005	€ 9.1	1	Secondary throttle adjusting screw
13	41705.035	€ 2.5	1	Carb. cover gasket	55	61280.086	€ 15.9	1	Fast idling control rod
14	57804.052	€ 61.2	1	Carb. power valve Assy	56	64750.025	€ 4.2	1	Idle adjusting screw
15	52000.015	€ 1.8	1	Float fixing pin	57	47600.007	€ 2.2	1	Spring for idle adjusting screw
16	64700.007	€ 0	3	Control valve retaining screw	58	45046.020	€ 26.8	1	Primary throttle control lever
17	55510.038	€ 0	3	Washer for control valve screw	59	55510.061	€ 1.9	2	Washer for loose lever
18	41535.015	€ 0	1	Needle valve gasket	60	45067.024	€ 10.2	1	Fast idling loose lever
19	79516.200	€ 7.4	1	Needle valve Assy	61	55530.002	€ 3	1	Washer-wave
20	41030.019	€ 44.2	1	Float Assy	62	12775.006	€ 15.6	1	Bushing for loose lever
21	64235.016	€ 12.5	1	Full power needle valve Assy	63	45136.029	€ 15.9	1	Throttle valve control lever
22	41530.013	€ 0	1	Power valve gasket	64	47605.010	€ 4.9	1	Spring for loose lever
23	64900.001	€ 7.5	1	Pump discharge blanking needle	65	34715.014	€ 1	1	Throttle shaft fixing nut
24	41120.001	€ 2.7	1	Primary main jet	66	55520.002	€ 1	1	Lock washer
24-A	73801	€ 2.7	1	Secondary main jet	67	15069.011	€ 0	1	Loose lever Assy
25	12750.085	€ 2.7	4	Shaft retaining bush	68	34705.001	€ 0.8	1	Secondary shaft fixing nut
26	47600.027	€ 0	4	Bush retaining spring	69	55525.001	€ 0	1	Spring washer
27	64005.034	€ 15.4	1	Secondary throttle valve	70	55510.046	€ 1.4	1	Washer for loose lever
28	10016.477	€ 0	1	Secondary shaft Assy oversize	71	45032.124	€ 10.2	1	Secondary throttle control lever
28	10015.492	€ 0	1	Secondary shaft	72		€ 0	1	Carburetor body
29	10016.476	€ 0	1	Primary shaft Assy oversize	73	58702.024	€ 7.4	1	Sheat support Assy. including:
29	10015.493	€ 0	1	Primary shaft	74	58700.028	€ 7.4	1	- Sheat support
30	64005.090	€ 15.4	1	Primary throttle valve	75	52145.001	€ 0	1	- Sheat securing plate
31	64520.023	€ 2.8	4	Throttle plates fixing screw	76	64615.007	€ 0	1	- Sheat plate fixing screw
32	47610.079	€ 4.9	1	Shaft return spring	77	64700.012	€ 2.8	1	Sheat support fixing screw
33	12765.047	€ 0	1	Spacer	78-A	61440	€ 13.9	1	Secondary emulsioning tube
34	32486.037	€ 0	1	Accel. pump cover Assy	78	61440.216	€ 7.5	1	Primary emulsioning tube
35	64700.006	€ 0	4	Pump cover fixing screw	79-A	77201	€ 2.1	1	Secondary air corrector jet
36	47407.048	€ 7.5	1	Accel. pump diaphragm Assy	79	61440	€ 13.9	1	Primary air corrector jet
37	47600.092	€ 0	1	Pump loading spring	80	41530.012	€ 0	2	Pump jet gasket
38-A	74403	€ 2.5	1	Secondary idle jet	81	76226	€ 9.2	1	Accel. pump jet
38	74403	€ 2.5	1	Primary idle jet	82	64280.017	€ 0	1	Pump delivery valve Assy
39	41565.002	€ 0.4	2	Gasket for idling jet holder	83	71111	€ 0	2	Auxiliary Venturi
40	52570.006	€ 6.2	2	Idling jet holder	84		€ 0		??
41	45202.064	€ 0	1	Choke control lever Assy including	85		€ 0		??
42	45202.065	€ 0	1	- Lever					

<https://www.carbparts.eu>

Prices and product availability are subject to change

