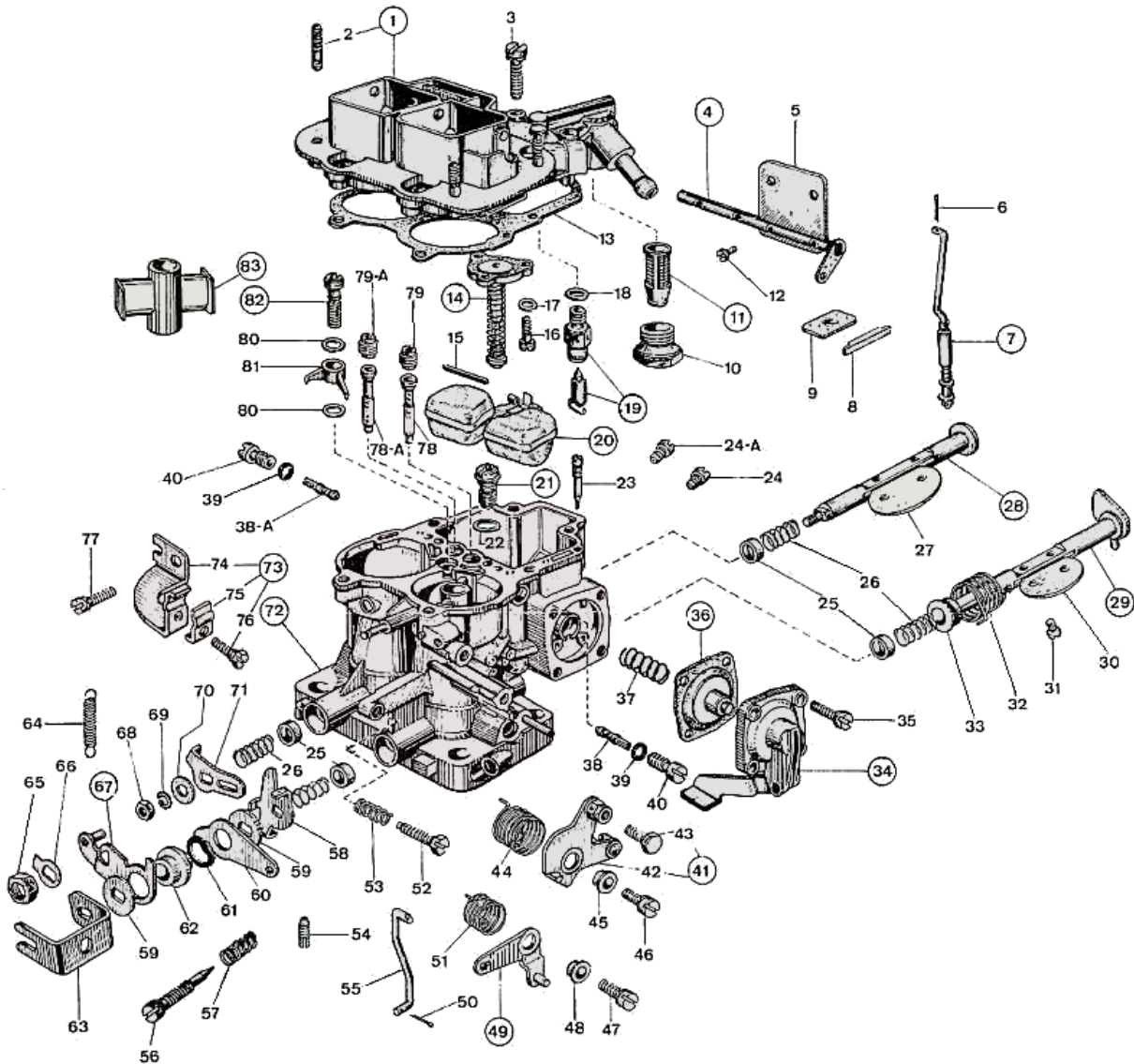




WEBER 32/36 DGV 5A

Exploded view



<https://www.carbparts.eu>

Prices and product availability are subject to change



WEBER 32/36 DGV 5A

List of parts



No	Part No	Price	Pcs	Description
1	31716.132	€ 0	1	Carburetor cover Assy, including:
2	64955.002	€ 7.6	4	- Stud holt
3	64700.001	€ 0.6	6	Carb. cover fixing screw
4	10020.222	€ 0	1	Choke shaft & lever Assy
5	64010.007	€ 11	2	Choke throttle valve
6	32610.005	€ 1.4	1	Split pin
7	61287.003	€ 0	1	Choke rod
8	61070.002	€ 3	1	Dust seal plug
9	52135.010	€ 3	1	Dust seal plate
10	61002.018	€ 11	1	Strainer inspection pluq
11	37022.003	€ 5.3	1	Strainer Assy
12	64525.003	€ 0	4	Choke plates fixing screw
13	41705.035	€ 3.7	1	Carb. cover gasket
14	57804.052	€ 62.2	1	Carb. power valve Assy
15	52000.015	€ 1.8	1	Float fixing pin
16	64700.007	€ 0	3	Control valve retaining screw
17	55510.038	€ 0	3	Washer for control valve srew
18	41535.015	€ 0.3	1	Needle valve gasket
19	79516.200	€ 10.4	1	Needle valve Assy
20	41030.019	€ 46.4	1	Float Assy
21	64235.016	€ 18.2	1	Full power needle valve Assy
22	41530.013	€ 0	1	Power valve gasket
23	64900.001	€ 11	1	Pump discharge blanking needle
24-A	73801	€ 3.9	1	Secondary main jet
24	41120.001	€ 3.9	1	Primary main jet
25	12750.085	€ 3.9	4	Shaft retaining bush
26	47600.027	€ 4.8	4	Bush retaining spring
27	64005.034	€ 16.1	1	Secondary throttle valve
28	10016.477	€ 0	1	Secondary shaft Assy oversize
28	10015.492	€ 0	1	Secondary shaft
29	10016.476	€ 0	1	Primary shaft Assy oversize
29	10015.493	€ 0	1	Primary shaft
30	64005.090	€ 16.1	1	Primary throttle valve
31	64520.023	€ 0.6	4	Throttle plates fixing screw
32	47610.079	€ 5	1	Shaft return spring
33	12765.047	€ 0	1	Spacer
34	32486.037	€ 0	1	Accel. pump cover Assy
35	64700.006	€ 0	4	Pump cover fixing screw
36	47407.048	€ 7.8	1	Accel. pump diaphragm Assy
37	47600.092	€ 0	1	Pump loading spring
38-A	74403	€ 3.7	1	Secondary idle jet
38	74403	€ 3.7	1	Primary idle iet
39	41565.002	€ 0.4	2	Gasket for idling jet holder
40	52570.006	€ 6.5	2	Idling jet holder
41	45202.064	€ 0	1	Choke control lever Assy including
42	45202.065	€ 0	1	- Lever

No	Part No	Price	Pcs	Description
43	64615.004	€ 0	1	- Screw securing wire
44	47610.058	€ 0	1	Spring for choke lever
45	12775.010	€ 8.8	1	Bushing for choke lever
46	64700.012	€ 2.9	1	Choke lever fixing screw
47	64700.012	€ 2.9	1	Square lever fixing screw
48	12775.010	€ 8.8	1	Bushing for square lever
49	45096.025	€ 22.4	1	Fast idle control square lever Assy
50	32610.005	€ 1.4	1	Split pin
51	47610.033	€ 0	1	Spring for square lever
52	64625.017	€ 8.8	1	Primary throttle adjusting screw
53	47600.007	€ 2.3	1	Spring for throttle adjusting screw
54	64595.005	€ 9.2	1	Secondary throttle adjusting screw
55	61280.086	€ 16.2	1	Fast idling control rod
56	64750.025	€ 6.1	1	Idle adjusting screw
57	47600.007	€ 2.3	1	Spring for idle adjusting screw
58	45046.020	€ 27.2	1	Primary throttle control lever
59	55510.061	€ 2.2	2	Washer for loose lever
60	45067.024	€ 10.3	1	Fast idling loose lever
61	55530.002	€ 3	1	Washer-wave
62	12775.006	€ 15.8	1	Bushing for loose lever
63	45136.029	€ 12	1	Throttle valve control lever
64	47605.010	€ 4.8	1	Spring for loose lever
65	34715.014	€ 1	1	Throttle shaft fixing nut
66	55520.002	€ 1	1	Lock washer
67	15069.011	€ 0	1	Loose lever Assy
68	34705.001	€ 0.7	1	Secondary shaft fixing nut
69	55525.001	€ 0	1	Spring washer
70	55510.046	€ 2.2	1	Washer for loose lever
71	45032.124	€ 10.3	1	Secondary throttle control lever
72		€ 0	1	Carburetor body
73	58702.024	€ 7.7	1	Sheat support Assy. including:
74	58700.028	€ 7.7	1	- Sheat support
75	52145.001	€ 0	1	- Sheat securing plate
76	64615.007	€ 0	1	- Sheat plate fixing screw
77	64700.012	€ 2.9	1	Sheat support fixing screw
78	61440.216	€ 11	1	Primary emulsioning tube
78-A	61440	€ 14.6	1	Secondary emulsioning tube
79-A	77201	€ 3.1	1	Secondary air corrector jet
79	61440	€ 14.6	1	Primary air corrector jet
80	41530.012	€ 0	2	Pump jet gasket
81	76226	€ 11.4	1	Accel. pump jet
82	64280.017	€ 0	1	Pump delivery valve Assy
83	71111	€ 0	2	Auxiliary Venturi
84		€ 0		??
85		€ 0		??

<https://www.carbparts.eu>

Prices and product availability are subject to change