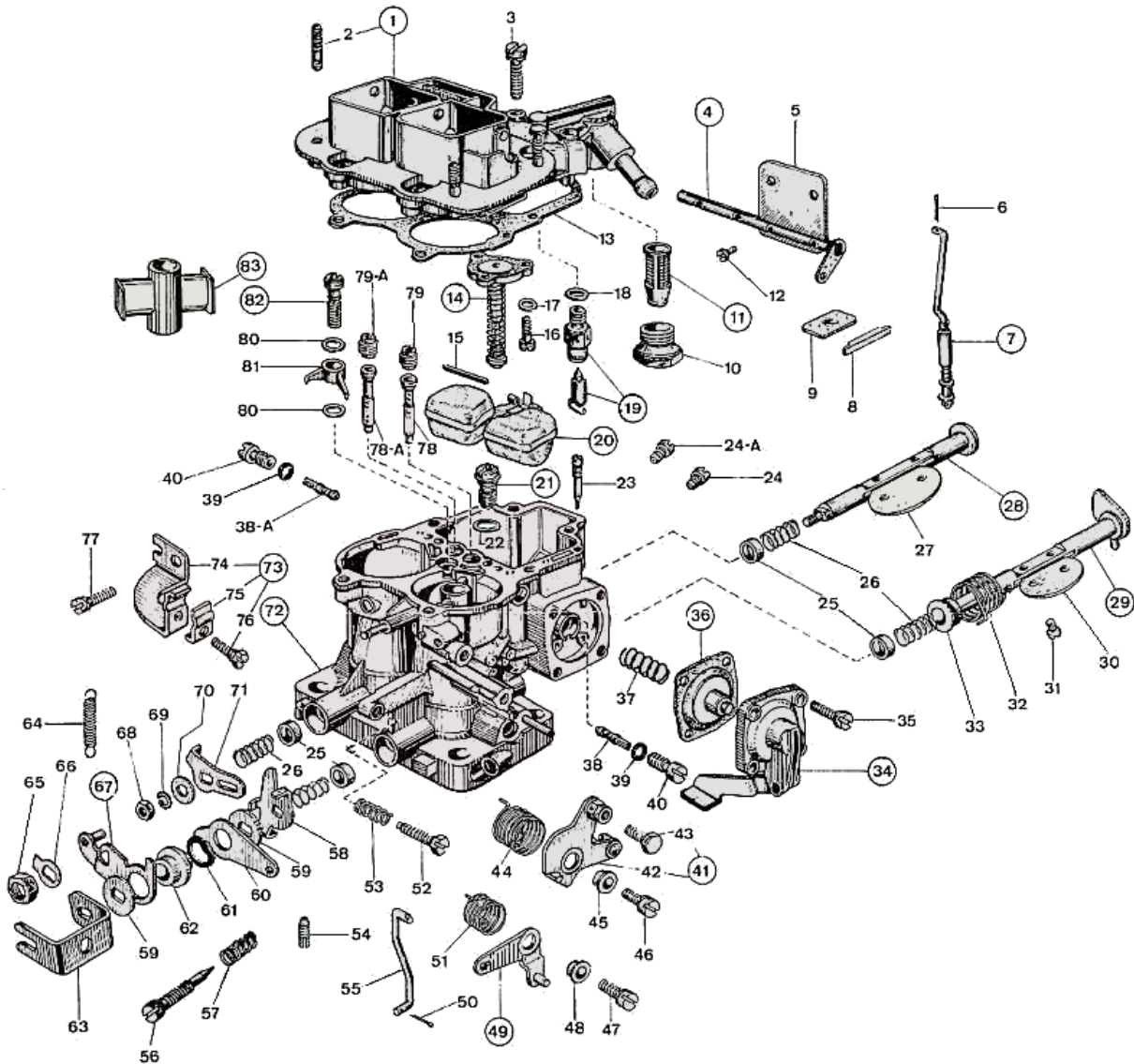




WEBER 32/36 DGV 5A

Exploded view



<https://www.carbparts.eu>

Los precios y la disponibilidad de los productos están sujetos a cambios



WEBER 32/36 DGV 5A

Lista de partes



No	Parte No	Precio	Pcs	Descripción
1	31716.132	-	1	Carburetor cover Assy, including:
2	64955.002	\$ 8.1	4	- Stud bolt
3	64700.001	-	6	Carb. cover fixing screw
4	10020.222	-	1	Choke shaft & lever Assy
5	64010.007	\$ 11.9	2	Choke throttle valve
6	32610.005	\$ 1.5	1	Split pin
7	61287.003	-	1	Choke rod
8	61070.002	\$ 3.2	1	Dust seal plug
9	52135.010	\$ 3.2	1	Dust seal plate
10	61002.018	\$ 11.9	1	Strainer inspection plug
11	37022.003	\$ 5.6	1	Strainer Assy
12	64525.003	-	4	Choke plates fixing screw
13	41705.035	\$ 4	1	Carb. cover gasket
14	57804.052	\$ 67.2	1	Carb. power valve Assy
15	52000.015	\$ 1.9	1	Float fixing pin
16	64700.007	-	3	Control valve retaining screw
17	55510.038	-	3	Washer for control valve screw
18	41535.015	-	1	Needle valve gasket
19	79516.200	\$ 12.5	1	Needle valve Assy
20	41030.019	\$ 49.2	1	Float Assy
21	64235.016	\$ 19.8	1	Full power needle valve Assy
22	41530.013	-	1	Power valve gasket
23	64900.001	\$ 11.9	1	Pump discharge blanking needle
24	41120.001	\$ 4.1	1	Primary main jet
24-A	73801	\$ 4.2	1	Secondary main jet
25	12750.085	\$ 4.1	4	Shaft retaining bush
26	47600.027	\$ 5.2	4	Bush retaining spring
27	64005.034	\$ 17.1	1	Secondary throttle valve
28	10016.477	-	1	Secondary shaft Assy oversize
28	10015.492	-	1	Secondary shaft
29	10015.493	-	1	Primary shaft
29	10016.476	-	1	Primary shaft Assy oversize
30	64005.090	\$ 17.1	1	Primary throttle valve
31	64520.023	-	4	Throttle plates fixing screw
32	47610.079	\$ 5.4	1	Shaft return spring
33	12765.047	-	1	Spacer
34	32486.037	-	1	Accel. pump cover Assy
35	64700.006	-	4	Pump cover fixing screw
36	47407.048	\$ 8.3	1	Accel. pump diaphragm Assy
37	47600.092	-	1	Pump loading spring
38	74403	\$ 4	1	Primary idle jet
38-A	74403	\$ 4	1	Secondary idle jet
39	41565.002	-	2	Gasket for idling jet holder
40	52570.006	\$ 6.9	2	Idling jet holder
41	45202.064	-	1	Choke control lever Assy including
42	45202.065	-	1	- Lever

No	Parte No	Precio	Pcs	Descripción
43	64615.004	-	1	- Screw securing wire
44	47610.058	-	1	Spring for choke lever
45	12775.010	\$ 9.6	1	Bushing for choke lever
46	64700.012	\$ 3.1	1	Choke lever fixing screw
47	64700.012	\$ 3.1	1	Square lever fixing screw
48	12775.010	\$ 9.6	1	Bushing for square lever
49	45096.025	\$ 24.1	1	Fast idle control square lever Assy
50	32610.005	\$ 1.5	1	Split pin
51	47610.033	-	1	Spring for square lever
52	64625.017	\$ 9.6	1	Primary throttle adjusting screw
53	47600.007	\$ 2.4	1	Spring for throttle adjusting screw
54	64595.005	\$ 10	1	Secondary throttle adjusting screw
55	61280.086	\$ 17.5	1	Fast idling control rod
56	64750.025	\$ 6.6	1	Idle adjusting screw
57	47600.007	\$ 2.4	1	Spring for idle adjusting screw
58	45046.020	\$ 29.4	1	Primary throttle control lever
59	55510.061	\$ 2.4	2	Washer for loose lever
60	45067.024	\$ 11.2	1	Fast idling loose lever
61	55530.002	\$ 3.3	1	Washer-wave
62	12775.006	\$ 16.7	1	Bushing for loose lever
63	45136.029	\$ 13	1	Throttle valve control lever
64	47605.010	\$ 5.2	1	Spring for loose lever
65	34715.014	\$ 1.1	1	Throttle shaft fixing nut
66	55520.002	\$ 1.1	1	Lock washer
67	15069.011	-	1	Loose lever Assy
68	34705.001	-	1	Secondary shaft fixing nut
69	55525.001	-	1	Spring washer
70	55510.046	\$ 2.4	1	Washer for loose lever
71	45032.124	\$ 11.2	1	Secondary throttle control lever
72		-	1	Carburetor body
73	58702.024	\$ 8.2	1	Sheat support Assy. including:
74	58700.028	\$ 8.2	1	- Sheat support
75	52145.001	-	1	- Sheat securing plate
76	64615.007	-	1	- Sheat plate fixing screw
77	64700.012	\$ 3.1	1	Sheat support fixing screw
78	61440.216	\$ 11.9	1	Primary emulsioning tube
78-A	61440	\$ 15.5	1	Secondary emulsioning tube
79	61440	\$ 15.5	1	Primary air corrector jet
79-A	77201	\$ 3.4	1	Secondary air corrector jet
80	41530.012	-	2	Pump jet gasket
81	76226	\$ 12.1	1	Accel. pump jet
82	64280.017	-	1	Pump delivery valve Assy
83	71111	-	2	Auxiliary Venturi
84		-	??	
85		-	??	

<https://www.carbparts.eu>

Los precios y la disponibilidad de los productos están sujetos a cambios