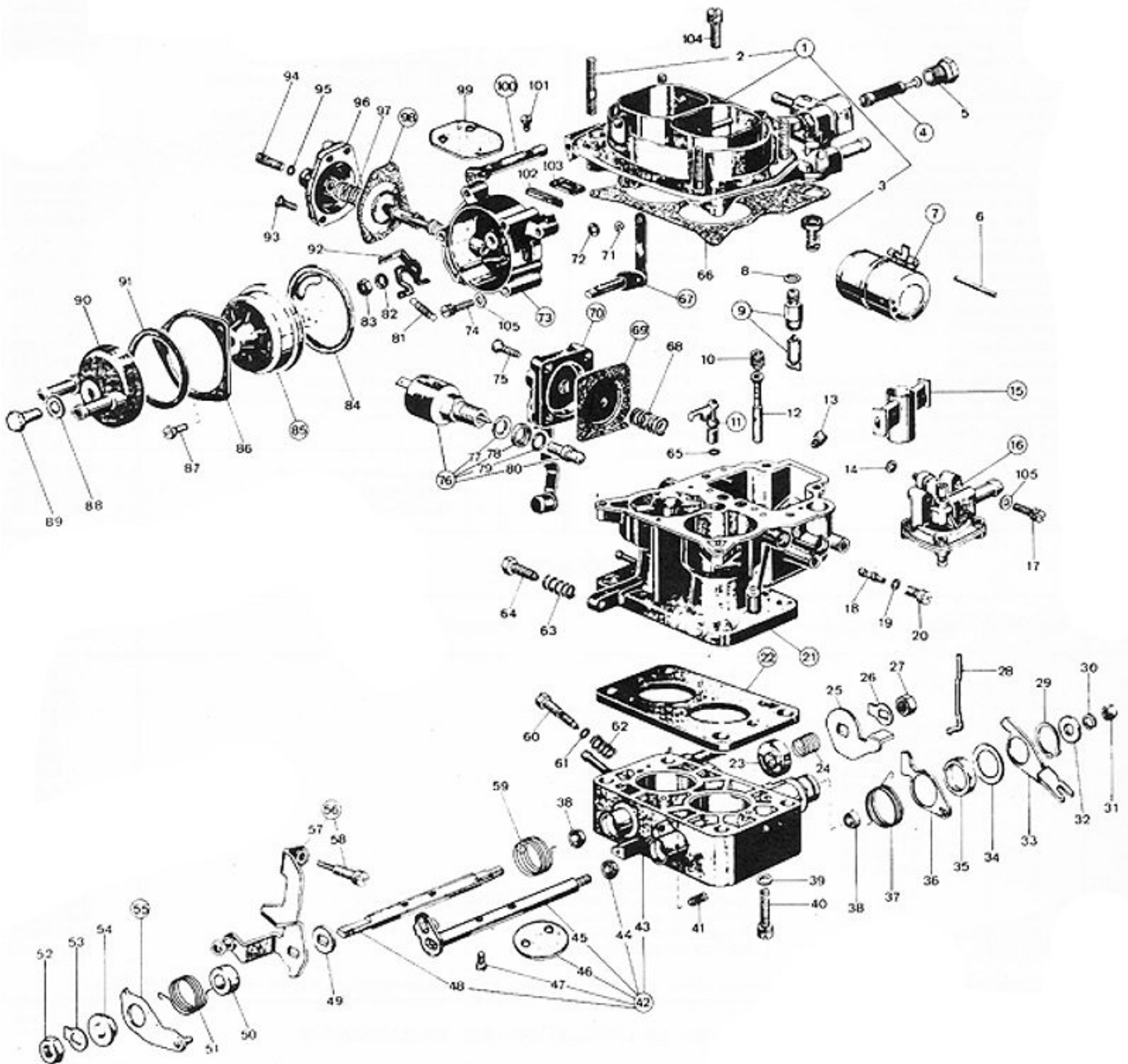




WEBER 32 ADFA - exploded view



<https://www.carbparts.eu>

Prices and product availability are subject to change



CarbDeal
Selling carburetor parts since 2005



WEBER 32 ADFA - Parts list

No	Part No	Price	Pcs	Description	No	Part No	Price	Pcs	Description
1	Not Serviced	€ 0	1	Top Cover Assembly	54	12775.053	€ 0	1	Bushing
2	64955.007	€ 11.6	4	Top Cover Stud	55	45069.030	€ 0	1	Lever
3	64372.009	€ 0	1	Plunger	56	45041.116	€ 0	1	Lever
4	37022.004	€ 7	1	Fuel Screen	57	64590.010	€ 0	1	Screw
5	61002.019	€ 0	1	Plug	58	Not Serviced	€ 0	2	Washer
6	52000.015	€ 1.8	1	Float Pin	59	47610.091	€ 0	1	Spring
7	41015.004	€ 51.6	1	Brass Float	60	64755.016	€ 12	1	Screw
8	83102.07	€ 0	1	Needle Valve Gasket	61	41565.010	€ 0	1	O-Ring
9	79519	€ 0	1	Needle & Seat	62	47600.095	€ 2.4	1	Spring
10	77201	€ 2.1	2	Air Corrector Jet	63	47600.007	€ 2.2	1	Spring
11	76407	€ 12.4	1	Pump Jet	64	64625.012	€ 5.4	1	Throttle Stop Screw
12	61440	€ 13.9	2	Emulsion Tube	65	41565.001	€ 0	1	O-Ring
13	73801	€ 2.7	2	Main Jet	66	41705.049	€ 0	1	Top Cover Gasket
14	41565.008	€ 0.8	1	O-Ring	67	10085.042	€ 34.4	1	Shaft
15	70512	€ 0	2	Auxiliary Venturi	68	47600.092	€ 0	1	Pump Loading Spring
16	31800.027	€ 0	1	Capsule	69	47407.118	€ 32	1	Diaphragm
17	64700.010	€ 0	2	Screw	70	32486.069	€ 0	1	Accelerator Pump Cover
18	74403	€ 2.5	1	Idle Jet	71	10140.501	€ 1.6	1	Spring Ring
19	41565.002	€ 0.4	1	O-Ring For Idle Jet Holder	72	41565.008	€ 0.8	1	O-Ring
20	52570.006	€ 6.2	1	Idle Jet Holder	73	Not Serviced	€ 0	1	Housing
21	Not Serviced	€ 0	1	Carburetor Body	74	64695.021	€ 2.3	2	Top Cover Screw
22	39152.015	€ 0	1	Base Spacer Gasket	75	64565.001	€ 0	4	Screw
23	50002.008	€ 7.6	1	Shaft Bushing	76	43928.06	€ 0	1	ICU Solenoid
24	47600.027	€ 0	1	Bush Retaining Spring	77	55530.016	€ 0	1	Washer
25	14850.102	€ 10.2	1	Cam	78	58000.019	€ 0	1	Plate
26	55520.004	€ 1	1	Shaft Lock Tab	79	41565.001	€ 0	1	O-Ring
27	34710.003	€ 1	1	Throttle Spindle Nut	80	74409	€ 3.1	1	Idle Jet
28	61280.115	€ 0	1	Rod	81	47605.019	€ 4.9	1	Spring
29	10140.304	€ 0	1	Spring Ring	82	55530.013	€ 0	1	Washer
30	55525.001	€ 0	1	Spring Washer	83	34715.016	€ 0	1	Nut
31	34705.001	€ 0.8	1	Nut	84	41640.052	€ 2.9	1	Auto Choke Body Gasket
32	55510.081	€ 1.9	1	Washer	85	Not Serviced	€ 0	1	Water Choke Element
33	45067.048	€ 0	1	Lever	86	52135.029	€ 2.3	1	Choke Lock Ring
34	55530.014	€ 0	1	Washer	87	64615.005	€ 0	3	Screw
35	12750.103	€ 0	1	Bushing	88	41530.002	€ 1.8	1	Gasket
36	45067.047	€ 0	1	Lever	89	64610.008	€ 0	1	Screw
37	47610.102	€ 0	1	Spring	90	32444.011	€ 0	1	Water Choke Cover
38	41575.010	€ 3.1	2	Bushing	91	41555.001	€ 0.4	1	Water Cover Gasket
39	55510.034	€ 0.4	2	Lock Washer	92	45046.037	€ 0	1	Choke Actuating Lever
40	64700.016	€ 0	2	Screw	93	64560.004	€ 0	3	Screw
41	64595.013	€ 0	1	Screw	94	64895.010	€ 0	1	Screw
42	Not Serviced	€ 0	1	Carburetor Base Assembly	95	41565.010	€ 0	1	O-Ring
43	Not Serviced	€ 0	1	Carburetor Base	96	32384.039	€ 37.2	1	Screw
44	41575.010	€ 3.1	1	Bushing	97	47600.092	€ 0	1	Pump Loading Spring
45	10015.273	€ 0	1	Secondary Throttle Shaft	98	Not Serviced	€ 0	1	Diaphragm
46	64005.090	€ 15.4	2	Throttle Valve	99	64010.034	€ 0	1	Throttle Valve
47	64520.027	€ 0.6	4	Screw	100	10015.274	€ 12.1	1	Shaft
48	10000.264	€ 0	1	Primary Throttle Shaft	101	64525.003	€ 0	2	Choke Plate Fixing Screw
49	55555.019	€ 1.4	1	Shaft Spacer	102	61070.002	€ 2.9	1	Dust Seal Plug
50	12750.097	€ 12.3	1	Spacer	103	52135.018	€ 2.9	1	Dust Seal Plate
51	47610.092	€ 4.9	1	Spring	104	64700.005	€ 0.5	6	Top Cover Fixing Screw
52	34715.014	€ 1	1	Nut	105	55510.034	€ 0.4	2	Carb Washer

<https://www.carbparts.eu>

Prices and product availability are subject to change

