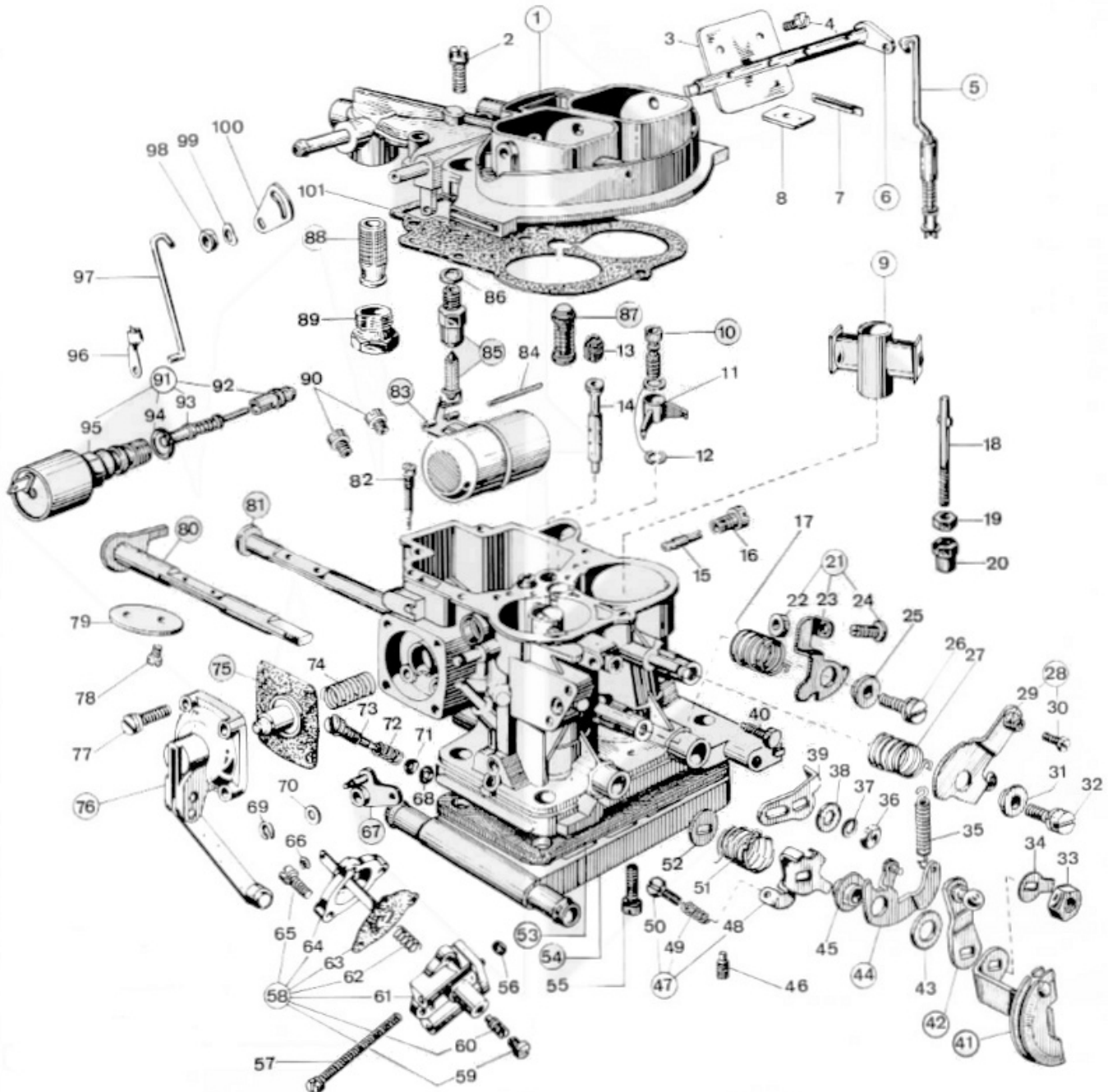


CarbDeal

Selling carburetor parts since 2005

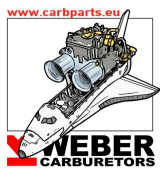


WEBER 32 DIR 38 - exploded view



<https://www.carbparts.eu>

Prices and product availability are subject to change



CarbDeal
Selling carburetor parts since 2005



WEBER 32 DIR 38 - Parts list

No	Part No	Price	Pcs	Description	No	Part No	Price	Pcs	Description
1	31716.185	€ 0	1	Top Cover	51	47610.012	€ 4.4	1	Spring
2	64700.005	€ 0.5	5	Top Cover Fixing Screw	52	55555.001	€ 1.9	1	Shaft Spacer
3	64010.006	€ 10.8	2	Choke Plate	53	39152.014	€ 0	1	Base Spacer Gasket
4	64525.003	€ 0	4	Choke Plate Fixing Screw	54	39166.001	€ 0	1	Heated Base
5	61287.012	€ 0	1	Choke Rod	55	64695.021	€ 2.3	1	Screw
6	10020.215	€ 0	1	Choke Shaft	56	41565.008	€ 0.8	1	O-Ring
7	61070.002	€ 2.9	2	Dust Seal Plug	57	64700.020	€ 0	2	Screw
8	52135.010	€ 2.9	2	Dust Seal Plate	58	57804.065	€ 0	1	Cold Start Unit Including
9	71120.350	€ 0	2	Auxiliary Venturi	59	61015.003	€ 0	1	Plug
10	64290.015	€ 0	1	Valve	60	64595.005	€ 9.1	1	Screw
11	76227	€ 0	1	Pump Jet	61	57804.023	€ 0	1	Starting Device
12	41540.014	€ 2.4	2	Pump Jet Gasket	62	47600.003	€ 5.5	1	Spring
13	77201	€ 2.1	2	Air Corrector Jet	63	47407.065	€ 60.1	1	Diaphragm
14	61440	€ 13.9	2	Emulsion Tube	64	32382.011	€ 0	1	Cold Start Cover
15	74403	€ 2.5	1	Idle Jet	65	64700.004	€ 2	3	Fixing Screw
16	52570.005	€ 6.2	1	Idle Jet Holder	66	10140.501	€ 1.6	1	Spring Ring
17	47610.056	€ 4.9	1	Spring	67	45027.114	€ 0	1	Lever
18	61285.025	€ 0	1	Rod	68	41565.002	€ 0.4	1	O-Ring
19	34705.002	€ 0	1	Nut	69	10140.501	€ 1.6	1	Clip
20	64905.001	€ 0	1	Screw	70	55510.034	€ 0.4	1	Washer
21	45138.012	€ 0	1	Lever Assembly Including	71	58000.006	€ 1.8	1	Cup Washer
22	34715.006	€ 0	1	Nut	72	47600.007	€ 2.2	1	Spring
23	45136.056	€ 0	1	Lever	73	64750.042	€ 0	1	Mixture Screw
24	64595.009	€ 0	1	Screw	74	47600.107	€ 6.3	1	Accelerator Pump Spring
25	12775.058	€ 0	1	Bushing	75	47407.261	€ 9.4	1	Pump Diaphragm
26	64700.012	€ 2.8	1	Lever Fixing Screw	76	32486.019	€ 0	1	Accelerator Pump Cover
27	47610.056	€ 4.9	1	Spring	77	64700.004	€ 2	4	Fixing Screw
28	45202.085	€ 0	1	Lever Assembly Including	78	64520.023	€ 2.8	4	Fixing Screw
29	45202.084	€ 0	1	Lever	79	64005.090	€ 15.4	2	Throttle Valve
30	64615.004	€ 0	1	Screw	80	10015.505	€ 0	1	Primary Throttle Shaft
31	12775.057	€ 0	1	Bushing	81	10015.479	€ 0	1	Secondary Throttle Shaft
32	64700.012	€ 2.8	1	Lever Fixing Screw	82	64900.001	€ 7.5	1	Pump Discharge Blanking Needle
33	34715.014	€ 1	1	Throttle Shaft Fixing Nut	83	41015.004	€ 51.6	1	Brass Float
34	55520.002	€ 1	1	Shaft Lock Tab	84	52000.015	€ 1.8	1	Float Pin
35	47605.034	€ 0	1	Spring	85	79519	€ 0	1	Needle & Seat
36	34705.001	€ 0.8	1	Fixing Nut	86	83102.070	€ 1.6	1	Needle Valve Gasket
37	55525.001	€ 0	1	Spring Washer	87	Not Available	€ 0	1	Valve
38	55510.046	€ 1.4	1	Washer For Loose Lever	88	37022.010	€ 3.7	1	Fuel Filter
39	45032.013	€ 8.5	1	Lever	89	61002.018	€ 7.5	1	Strainer Inspection Plug
40	64605.017	€ 1.8	1	Choke Cable Clamp	90	73801	€ 2.7	2	Main Jet
41	45041.089	€ 0	1	Carb Lever	91	43840.001	€ 0	1	Idle Cut Off Solenoid Unit Including
42	45027.112	€ 0	1	Lever	92	74407	€ 0	1	Idle Jet
43	55510.061	€ 1.9	1	Washer For Loose Lever	93	52352.001	€ 0	1	Needle
44	45069.021	€ 0	1	Lever	94	41565.013	€ 0	1	Gasket
45	12765.002	€ 0	1	Spacer Bushing	95	43846.001	€ 0	1	Idle Cut Off Solenoid Unit Including
46	64595.005	€ 9.1	1	Screw For Secondary Throttle	96	47670.008	€ 0	1	Spring
47	45138.011	€ 0	1	Lever Assembly Including	97	61280.094	€ 0	1	Rod
48	45136.055	€ 0	1	Lever	98	34715.006	€ 0	1	Nut
49	47600.007	€ 2.2	1	Spring	99	55530.007	€ 0	1	Washer
50	64625.006	€ 0	1	Screw	100	45129.012	€ 0	1	Lever

<https://www.carbparts.eu>

Prices and product availability are subject to change

