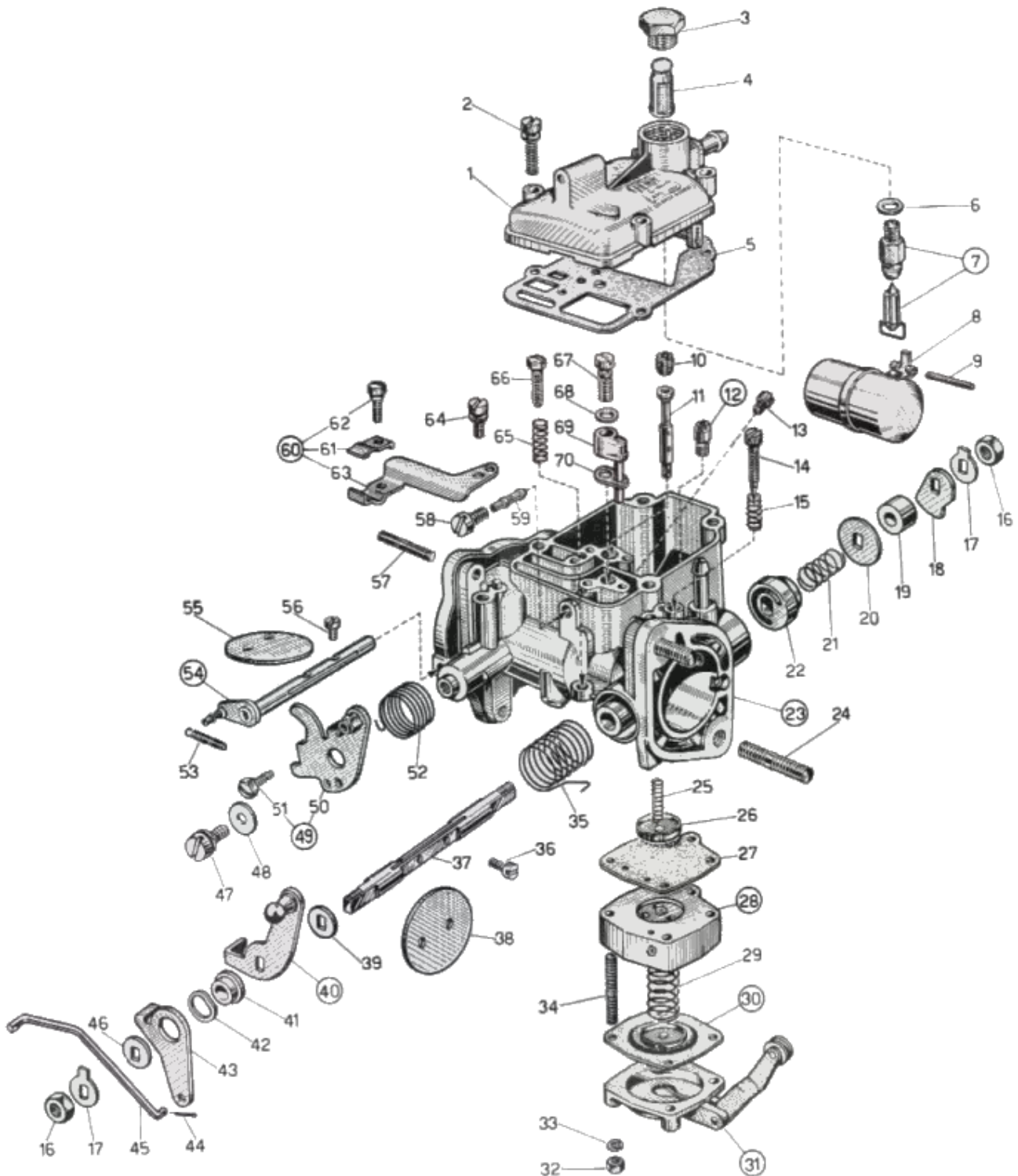


**CarbDeal**  
Selling carburetor parts since 2005



## WEBER 32 OF - exploded view



<https://www.carbparts.eu>

Prices and product availability are subject to change



**CarbDeal**  
Selling carburetor parts since 2005



## WEBER 32 OF - Parts list

No	Part No	Price	Pcs	Description	No	Part No	Price	Pcs	Description
1	31736.002	€ 0	1	Carburetor top cover	37	10000.415	€ 0	1	Throttle Shaft
2	64700.005	€ 0.5	4	Top Cover Fixing Screw	37	10001.445	€ 0	1	Primary Throttle Shaft - Oversized
3	61002.018	€ 7.5	1	Fuel Filter Cover	38	64005.092	€ 0	1	Throttle Valve
4	37022.002	€ 3.7	1	Filter element	39	55555.016	€ 1.9	1	Shaft Spacer
5	41715.004	€ 0	1	Top Cover Gasket	40	45034.023	€ 0	1	Throttle Valve Control Lever
6	41535.015	€ 0	1	Needle valve gasket	41	12775.027	€ 8.8	1	Bushing For Lever
7	64240.008	€ 0	1	Float valve	42	55530.002	€ 0	1	Wavy Washer
8	41015.011	€ 0	1	Float	43	45032.038	€ 0	1	Fast idling loose lever
9	52000.010	€ 1.8	1	Float Fulcrum Pin	44	32610.005	€ 1.4	1	Spill pin
10	41360.001	€ 2.1	1	Air bleed jet	45	61280.032	€ 0	1	Tie rod
11	61440.166	€ 28.8	1	Emulsion tube	46	55555.003	€ 1.9	1	Washer For Shaft
12	64290.001	€ 6.6	1	Back bleed valve	47	64700.012	€ 2.8	1	Lever Fixing Screw
13	41120.001	€ 2.7	1	Main jet	48	55510.002	€ 1.4	1	Spring Washer
14	64750.001	€ 2.5	1	Idle Mixture Screw	49	45202.002	€ 0	1	Lever
15	47600.007	€ 2.2	1	Idle Mixture Screw Spring	50	45202.001	€ 0	1	— Throttle Lever
16	34715.014	€ 1	2	Throttle Spindle Nut	51	64615.004	€ 0	1	- Screw securing wire
17	55520.002	€ 1	2	Shaft Lock Tab	52	47610.058	€ 0	1	Lever return spring
18	14850.029	€ 0	1	Pump Cam	53	47605.023	€ 0	1	Choke return spring
19	12750.040	€ 0	1	Shaft Distance Piece	54	10015.212	€ 0	1	Choke shaft
20	55555.008	€ 0	1	Primary Shaft Distance Washer	55	64005.009	€ 0	1	Choke throttle valve
21	47600.027	€ 0	1	Bush retaining spring	56	64525.003	€ 0	2	Choke plate fixing screw
22	50002.003	€ 0	1	Shaft Bushing	57	64955.103	€ 0	3	Stud
23		€ 0	1	Carburetor body	58	52570.005	€ 6.2	1	Idle Jet Holder
24	64955.201	€ 0	2	Stud	59	41160.003	€ 2.5	1	Idle jet
25	47600.023	€ 0	1	Diaphragm Loading Spring	60	58702.004	€ 0	1	Supporto guaina completo di :
26	64190.005	€ 0	1	Pump Valve	61	52145.001	€ 0	1	Sheat securing plate
27	47405.012	€ 0	1	Pump Diaphragm	62	64615.007	€ 0	1	- Screw securing wire
28	39174.003	€ 0	1	Pump Body	63	58700.001	€ 0	1	— Sheat Support
29	47600.028	€ 5	1	Diaphragm Loading Spring	64	64700.012	€ 2.8	1	Lever Fixing Screw
30	47407.012	€ 0	1	Pump diaphragm	65	47600.007	€ 2.2	1	Idle Mixture Screw Spring
31	32486.011	€ 0	1	Accelerator Pump Cover	66	64625.007	€ 0.1	1	Throttle Adjustment Screw
32	34705.002	€ 0	4	— Cold Start Nut	67	64890.003	€ 0	1	Pump demand valve
33	55525.007	€ 0.8	4	Spring Washer	68	41530.012	€ 0	1	Pump jet gasket
34	64955.017	€ 0	4	Stud	69	41254.005	€ 0	1	Pump jet
35	47610.013	€ 0	1	Throttle Return Spring	70	41640.033	€ 0	1	Pump Jet Gasket
36	64520.023	€ 2.8	2	Throttle Plate Screw					

<https://www.carbparts.eu>

Prices and product availability are subject to change

