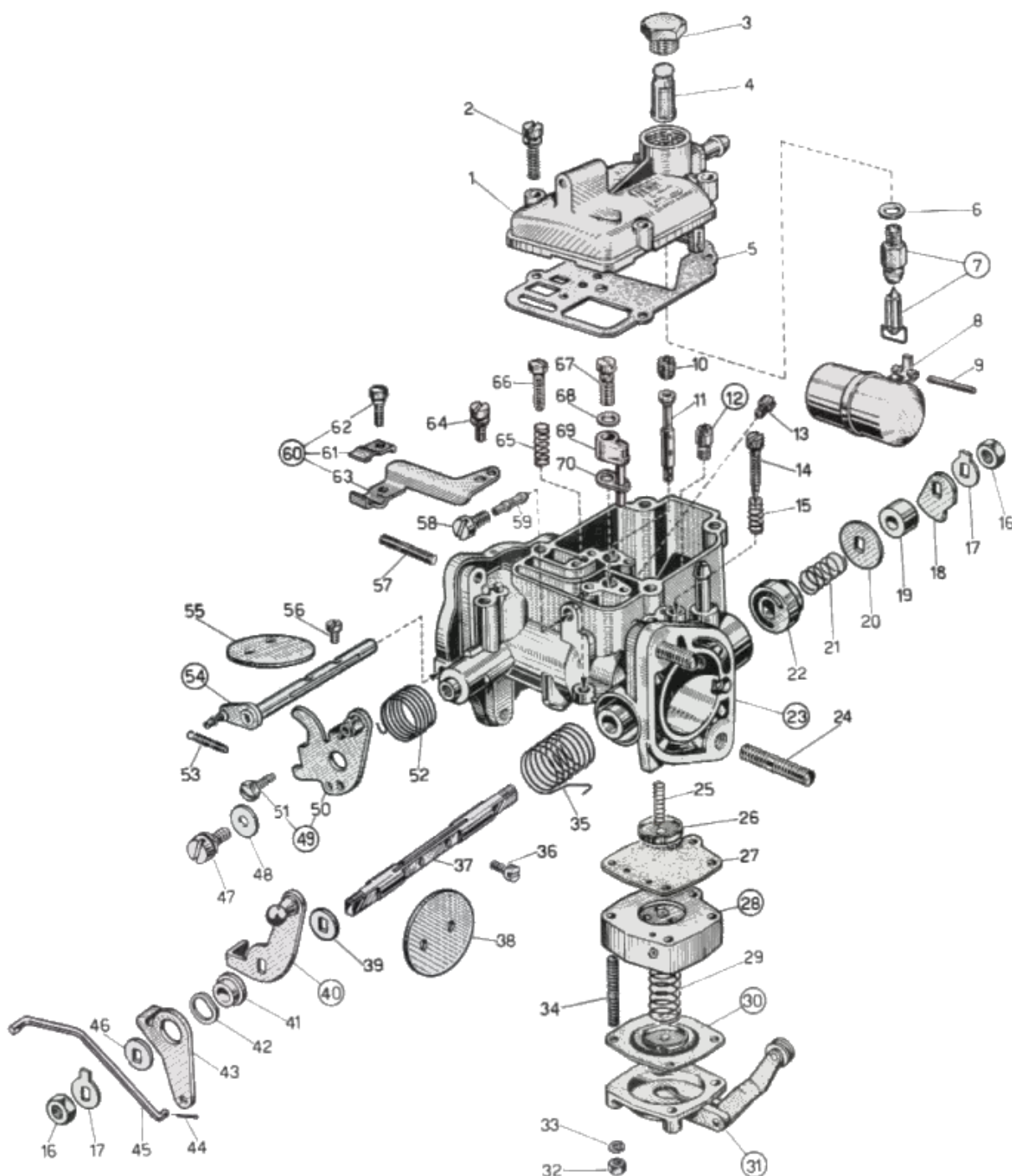




WEBER 32 OF

Exploded view



<https://www.carbparts.eu>

Los precios y la disponibilidad de los productos están sujetos a cambios



WEBER 32 OF

Lista de partes



No	Parte No	Precio	Pcs	Descripción
1	31736.002	-	1	Carburetor top cover
2	64700.005	-	4	Top Cover Fixing Screw
3	61002.018	\$ 11.3	1	Fuel Filter Cover
4	37022.002	\$ 5.5	1	Filter element
5	41715.004	-	1	Top Cover Gasket
6	41535.015	-	1	Needle valve gasket
7	64240.008	-	1	Float valve
8	41015.011	-	1	Float
9	52000.010	\$ 2	1	Float Fulcrum Pin
10	41360.001	\$ 3.3	1	Air bleed jet
11	61440.166	\$ 15.6	1	Emulsion tube
12	64290.001	\$ 9.8	1	Back bleed valve
13	41120.001	\$ 4.1	1	Main jet
14	64750.001	\$ 3.8	1	Idle Mixture Screw
15	47600.007	\$ 2.5	1	Idle Mixture Screw Spring
16	34715.014	\$ 1.1	2	Throttle Spindle Nut
17	55520.002	\$ 1.1	2	Shaft Lock Tab
18	14850.029	-	1	Pump Cam
19	12750.040	-	1	Shaft Distance Piece
20	55555.008	-	1	Primary Shaft Distance Washer
21	47600.027	\$ 4.9	1	Bush retaining spring
22	50002.003	-	1	Shaft Bushing
23		-	1	Carburetor body
24	64955.201	-	2	Stud
25	47600.023	-	1	Diaphragm Loading Spring
26	64190.005	-	1	Pump Valve
27	47405.012	-	1	Pump Diaphragm
28	39174.003	-	1	Pump Body
29	47600.028	\$ 3.8	1	Diaphragm Loading Spring
30	47407.012	-	1	Pump diaphragm
31	32486.011	-	1	Accelerator Pump Cover
32	34705.002	-	4	— Cold Start Nut
33	55525.007	-	4	Spring Washer
34	64955.017	-	4	Stud
35	47610.013	-	1	Throttle Return Spring
36	64520.023	-	2	Throttle Plate Screw

No	Parte No	Precio	Pcs	Descripción
37	10001.445	-	1	Primary Throttle Shaft - Oversized
37	10000.415	-	1	Throttle Shaft
38	64005.092	-	1	Throttle Valve
39	55555.016	\$ 2.2	1	Shaft Spacer
40	45034.023	-	1	Throttle Valve Control Lever
41	12775.027	\$ 9.9	1	Bushing For Lever
42	55530.002	-	1	Wavy Washer
43	45032.038	-	1	Fast idling loose lever
44	32610.005	\$ 1.5	1	Spilt pin
45	61280.032	-	1	Tie rod
46	55555.003	\$ 2.2	1	Washer For Shaft
47	64700.012	\$ 3.1	1	Lever Fixing Screw
48	55510.002	\$ 1.6	1	Spring Washer
49	45202.002	-	1	Lever
50	45202.001	-	1	— Throttle Lever
51	64615.004	-	1	- Screw securing wire
52	47610.058	-	1	Lever return spring
53	47605.023	-	1	Choke return spring
54	10015.212	-	1	Choke shaft
55	64005.009	-	1	Choke throttle valve
56	64525.003	-	2	Choke plate fixing screw
57	64955.103	-	3	Stud
58	52570.005	\$ 9.4	1	Idle Jet Holder
59	41160.003	\$ 3.3	1	Idle jet
60	58702.004	-	1	Supporto guaina completo di :
61	52145.001	-	1	Sheat securing plate
62	64615.007	-	1	- Screw securing wire
63	58700.001	-	1	— Sheat Support
64	64700.012	\$ 3.1	1	Lever Fixing Screw
65	47600.007	\$ 2.5	1	Idle Mixture Screw Spring
66	64625.007	-	1	Throttle Adjustment Screw
67	64890.003	-	1	Pump demand valve
68	41530.012	-	1	Pump jet gasket
69	41254.005	-	1	Pump jet
70	41640.033	-	1	Pump Jet Gasket

<https://www.carbparts.eu>

Los precios y la disponibilidad de los productos están sujetos a cambios