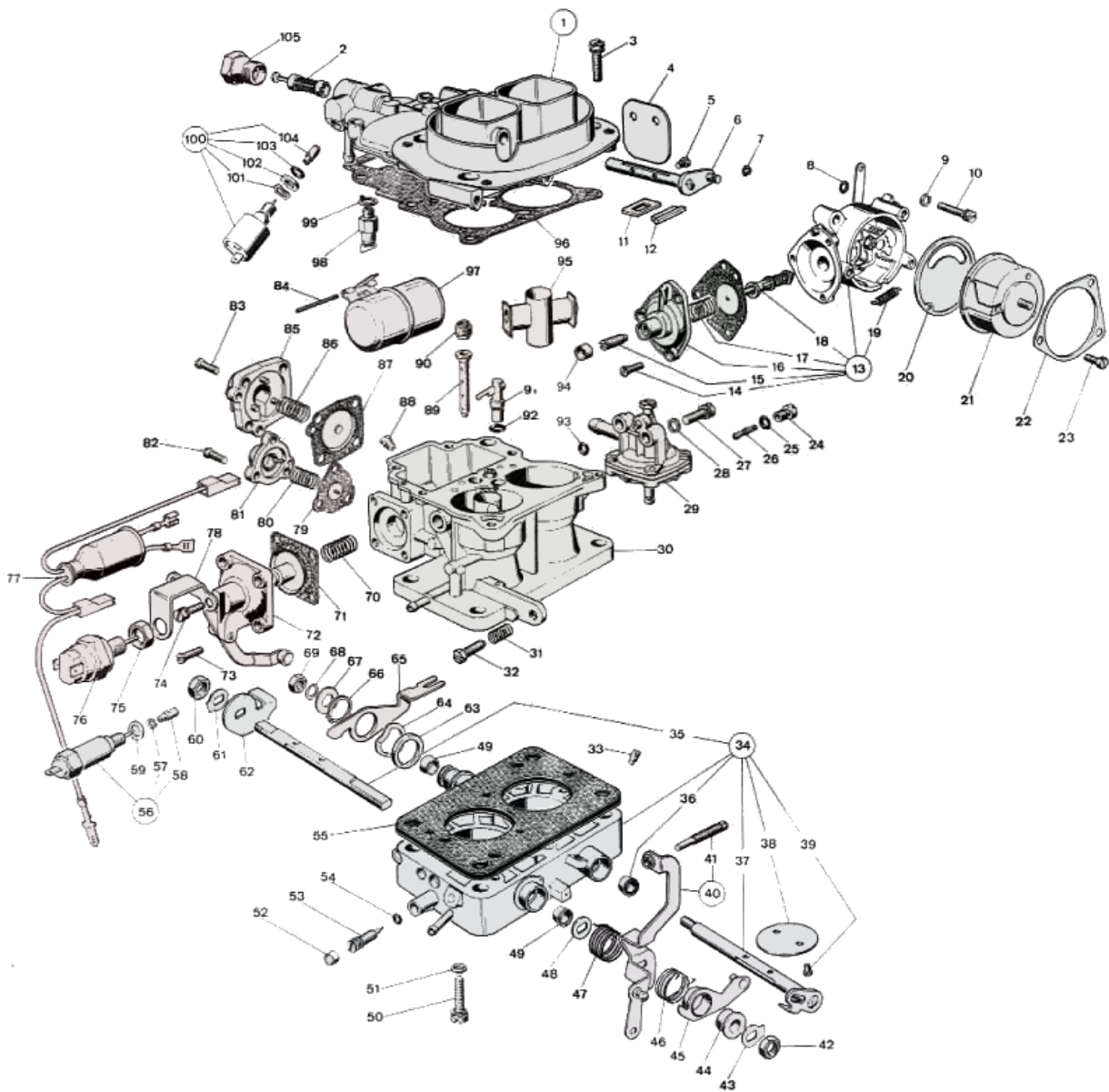




WEBER 34 ADM 0

Exploded view



<https://www.carbparts.eu>

Preise und Produktverfügbarkeit können sich ändern



WEBER 34 ADM 0

Liste der Teile



No	Teil Nr.	Preis	Stück	Beschreibung
1	31716.461	-	1	Carb Top Cover
2	37022.004	\$ 11.1	1	Filter element
3	64700.005	-	6	Top Cover Fixing Screw
4	64010.034	-	1	Choke throttle valve
5	64525.003	-	2	Choke plate fixing screw
6	10015.274	\$ 13.4	1	Choke shaft
7	10140.501	\$ 1.7	1	Locking Ring
8	41565.008	-	1	O ring
9	55510.034	-	2	Lock Washer
10	64700.001	-	2	Fixing Screw
11	52135.018	\$ 3.2	1	Dust seal plate
12	61070.002	\$ 3.2	1	Dust seal plug
13	57804.446	-	1	Auto Choke Assy. Including
14	64560.004	-	3	— Diaphragm cover fixing screw
15	64595.005	\$ 10.1	1	— Diaphragm adjusting screw
16	32384.060	-	1	— Diaphragm cover
17	47600.229	-	1	— Diaphragm loading spring
18	47407.226	-	1	— Choke diaphragm
19	47605.030	-	1	- Return Spring
20	41640.052	\$ 3.2	1	Auto Choke Body Gasket
21	57804.483	-	1	Autochoke Thermostat
22	52135.029	\$ 2.6	1	Choke Lock Ring
23	64615.004	-	3	Screw
24	52570.006	\$ 6.9	1	Idling jet holder
25	41565.002	-	1	Idle jet holder O Ring seal
26	74403.060	\$ 4	1	Secondary idle jet
27	64700.010	-	2	Fixing Screw
28	55510.038	-	2	Lock Washer
29	31800.027	-	1	Capsula minimo accelerato
30	-	-	1	Carburetor Body
31	47600.007	\$ 2.4	1	Idle Screw Spring
32	64625.012	\$ 8.6	1	Throttle Adjustment Screw
33	64595.013	-	1	Secondary throttle adjusting screw
34	67016.092	-	1	Carburetor shaft base. including:
35	10000.264	-	1	Primary Throttle Shaft
36	41575.010	\$ 5.6	1	Bushing
37	10015.273	-	1	Secondary Throttle Shaft
38	64005.113	-	2	— Throttle valve
39	64520.027	-	4	Throttle plate screw
40	45048.124	-	1	Throttle control lever
41	64595.035	-	1	Throttles adjusting screw
42	34715.014	\$ 1.1	1	Throttle Spindle Nut
43	55520.002	\$ 1.1	1	Shaft Lock Tab
44	12775.092	-	1	Boccola guida leva allentata
45	45069.092	-	1	Lever
46	47610.175	-	1	Molla leva allentata
47	47610.091	-	1	Choke lever return spring
48	55555.019	\$ 1.6	1	Shaft Spacer
49	41575.010	\$ 5.6	2	Bushing
50	64700.016	-	2	Fixing Screw
51	55510.018	-	2	Lock Washer
52	61075.013	\$ 6.8	1	Idle mixture tamper proof plug
53	64750.080	-	1	Idle Mixture Screw
54	41565.010	-	1	Idle Mixture Screw O Ring

No	Teil Nr.	Preis	Stück	Beschreibung
55	39152.015	-	1	Base Spacer Heat Gasket
56	43914.060	-	1	Idle Cut Off Solenoid
57	55530.020	-	1	— Rosetta ondulata
58	74409.060	\$ 4.9	1	— Idle jet
59	41535.024	-	1	Guarnizione Intercettatore minimo
60	34710.003	\$ 1.1	1	Throttle Shaft Nut
61	55520.004	\$ 1.1	1	Throttle Shaft Lock Washer
62	14850.140	-	1	Pump Cam
63	12750.103	-	1	Boccola distanziale leva allentata
64	55530.014	-	1	Rosetta ondulata leva allentata minimo accel.
65	45067.048	-	1	Leva allentata comando mimmo accelerato
66	10140.304	-	1	Anello elastico ritegno leva allentata
67	55510.081	\$ 2.1	1	Washer For Shaft
68	55525.001	-	1	Spring Washer
69	34705.001	-	1	Secondary shaft fixing nut
70	47600.092	-	1	Pump Spring
71	47407.146	-	1	Pump diaphragm
72	32486.084	-	1	Accelerator Pump Cover
73	64565.001	-	2	Screw
74	64700.019	-	2	Pump Cover Screw
75	34715.003	-	1	Nut
76	32240.501	-	1	Interruttore unipolare
77	14975.081	-	1	Cavo unipolare
78	58510.008	-	1	Staffa interruttore
79	47407.182	-	1	Membrana valvola piena potenza
80	47600.005	\$ 2.1	1	Starter Valve Spring
81	32384.046	-	1	Coperchio valvola piena potenza
82	64565.001	-	3	Screw
83	64565.001	-	4	Screw
84	52000.015	\$ 2	1	Float pivot
85	32484.044	-	1	Coperchio pompa pneumatica
86	47600.279	-	1	Spring For Diaphragm
87	47407.163	-	1	Membrana pompa pneumatica
88	73801.140	\$ 4.2	1	Main jet
88	73801.210	\$ 6.3	1	Main jet
89	61440.220	\$ 11.9	1	Primary Emulsion Tube
89	61440.491	-	1	Secondary Emulsion Tube
90	77201.160	\$ 3.4	1	Secondary air correction jet
90	77201.170	\$ 3.4	1	Primary Air Corrector Jet
91	76407.060	\$ 14.5	1	Pump jet
92	41565.001	-	1	Pump Jet 'O' Ring
93	41565.008	-	1	O ring
94	61075.002	-	1	Tappo coperchio sgolfatore
95	70508.450	-	1	Auxiliary Venturi Primary
95	70508.450	-	1	Auxiliary Venturi Secondary
96	41705.072	-	1	Top Cover Gasket
97	41015.004	\$ 57.2	1	Float
98	79510.175	-	1	Needle & Seat
99	83102.070	-	1	Gasket for Needle Valve
100	43921.100	-	1	Intercettatore ricircolo completo di:
101	55530.016	-	1	— Wavy Washer
102	58000.019	-	1	— Cup Washer
103	41565.001	-	1	— Idle jet holder O Ring seal
104	74409.100	\$ 4.9	1	— Idle jet

<https://www.carbparts.eu>

Preise und Produktverfügbarkeit können sich ändern