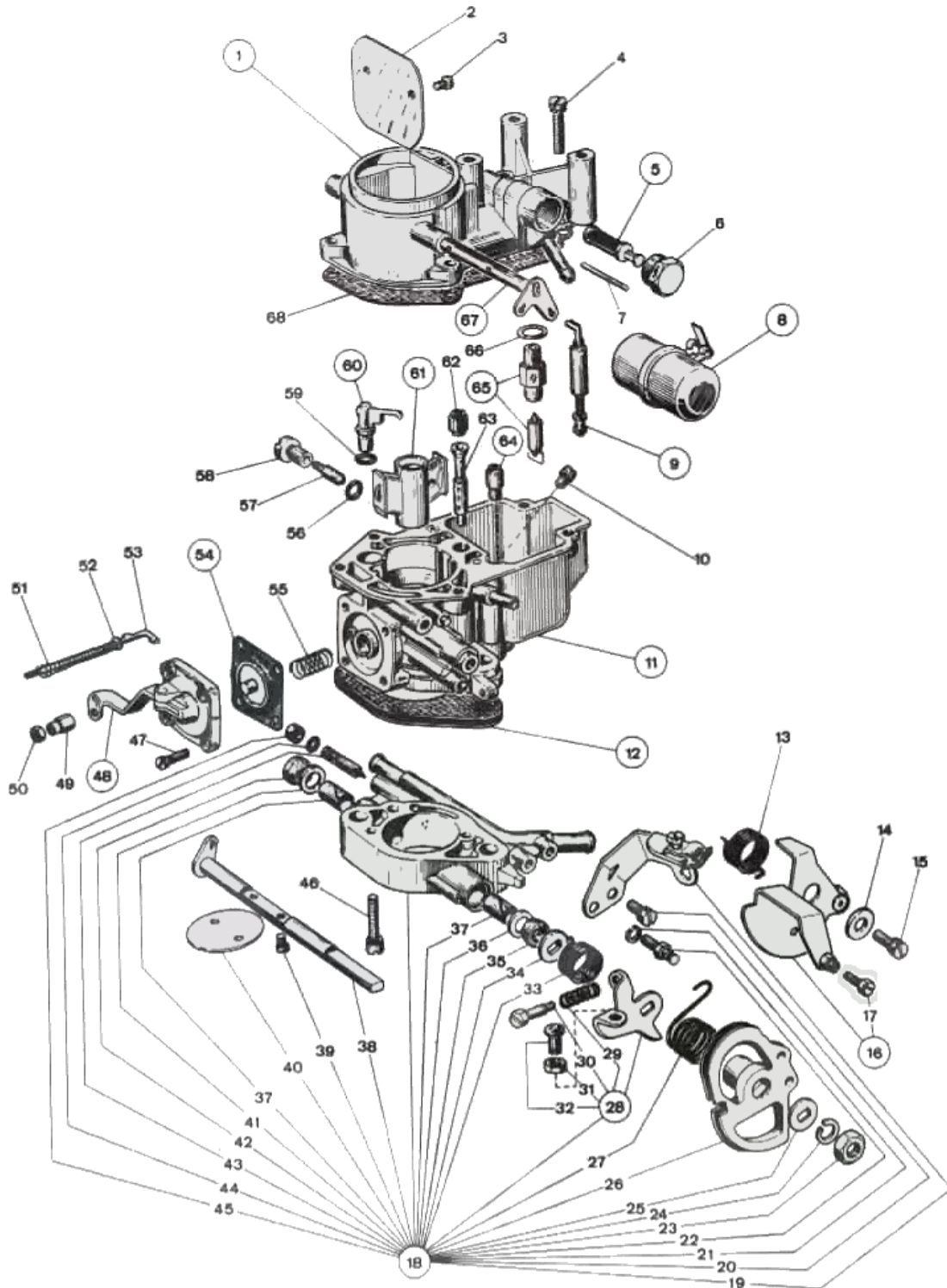




## WEBER 34 IBP - exploded view



<https://www.carbparts.eu>

Prices and product availability are subject to change



# CarbDeal

Selling carburetor parts since 2005



## WEBER 34 IBP - Parts list

No	Part No	Price	Pcs	Description	No	Part No	Price	Pcs	Description
1	31706.092	£ 0	1	Carburetor top cover	35	41575.010	£ 2.7	1	Bushing
2	64010.021	£ 0	1	Choke throttle valve	36	55510.087	£ 0	1	— Rosetta ritegno piastrina supporto alberino
3	64525.003	£ 0	2	Choke plate fixing screw	37	52130.010	£ 2.8	2	— Piastrina supporto alberino
4	64700.005	£ 0.4	5	Top Cover Fixing Screw	38	10015.534	£ 0	1	— Alberino principale
5	37022.004	£ 6.1	1	Filter element	39	64520.023	£ 2.4	2	Throttle Plate Screw
6	61002.019	£ 0	1	Fuel Filter Cover	40	64005.007	£ 0	1	— Throttle valve
7	52000.010	£ 1.6	1	Float Fulcrum Pin	41	55510.087	£ 0	1	— Rosetta ritegno piastrina supporto alberino
8	41015.019	£ 46.9	1	Float	42	41575.010	£ 2.7	1	Bushing
9	61287.061	£ 0	1	Choke rod	43	84750.074	£ 0	1	— Vite registro miscela minimo
10	73801.145	£ 2.5	1	Main Jet	44	41565.010	£ 0	1	Idle Mixture Screw O Ring
11		£ 0	1	Carburetor body	45	61075.014	£ 0	1	Idle mixture tamper proof plug
12	39152.022	£ 0	1	Base Spacer Heat Gasket	46	64700.010	£ 0	1	Fixing Screw
13	47610.056	£ 4.3	1	Spring	47	64565.002	£ 0	4	Pump Cover Screw
14	55510.002	£ 1.2	1	Spring Washer	48	32486.066	£ 0	1	Accelerator Pump Cover
15	64700.012	£ 2.4	1	Lever Fixing Screw	49	12800.166	£ 7.7	1	Boccola per bramino comando pompa
16	45202.169	£ 0	1	Choke Lever	50	34710.009	£ 0	1	Fixing nut
17	64615.004	£ 0	1	- Screw securing wire	51	41600.138	£ 0	1	Pump rod spring
18	67006.070	£ 0	1	Carburetor shaft base. including:	52	55510.019	£ 1	1	Spring Washer
19	58702.051	£ 0	1	— Sheat Support	53	61285.032	£ 0	1	Pump Rod
20	64700.012	£ 2.4	1	Lever Fixing Screw	54	47407.045	£ 0	1	Pump diaphragm
21	55525.003	£ 0	1	— Rosetta elastica per vite comando acceler.	55	47600.107	£ 5.4	1	Pump Spring
22	64880.013	£ 0	1	— Vite lissaggio supporlo com acceleratore	56	41565.601	£ 0	1	O-Ring For Idle Jet Holder
23	34715.014	£ 0.9	1	Throttle Spindle Nut	57	74408.045	£ 6.5	1	Idle Jet
24	55525.004	£ 0	1	— Rosetta elastica per dado alberino princip.	58	52570.011	£ 6	1	Idle Jet Holder
25	55525.003	£ 0	1	— Rosetta per dado alberino principale	59	41545.001	£ 0	1	Pump Jet Gasket
26	45046.071	£ 0	1	— Throttle lever	60	76413.050	£ 0	1	Getto pompe
27	47610.157	£ 0	1	— Molla richiamo leva comando farfalla	61	70515.450	£ 0	1	Auxiliary Venturi
28	45041.212	£ 0	1	— Leva di comando completa dii	62	77201.190	£ 2.5	1	Getto aria di treno
29	47600.007	£ 1.9	1	Idle Mixture Screw Spring	63	61446.229	£ 0	1	Emulsion Tube
30	64625.006	£ 0	1	— Vite registro farfalla	64	79701.000	£ 7.5	1	Back bleed valve
31	34715.006	£ 0	1	— Cold Start Nut	65	79607.150	£ 0	1	Float valve
32	64595.009	£ 0	1	— Screw	66	83102.070	£ 1.4	1	Needle valve gasket
33	47610156	£ 0	1	— Molla richiamo leva comando farfalla	67	10015.288	£ 0	1	Alberino avvlamento
34	55555.016	£ 1.7	1	Shaft Spacer	68	41700.006	£ 0	1	Carburetor Cover Gasket

<https://www.carbparts.eu>

Prices and product availability are subject to change

