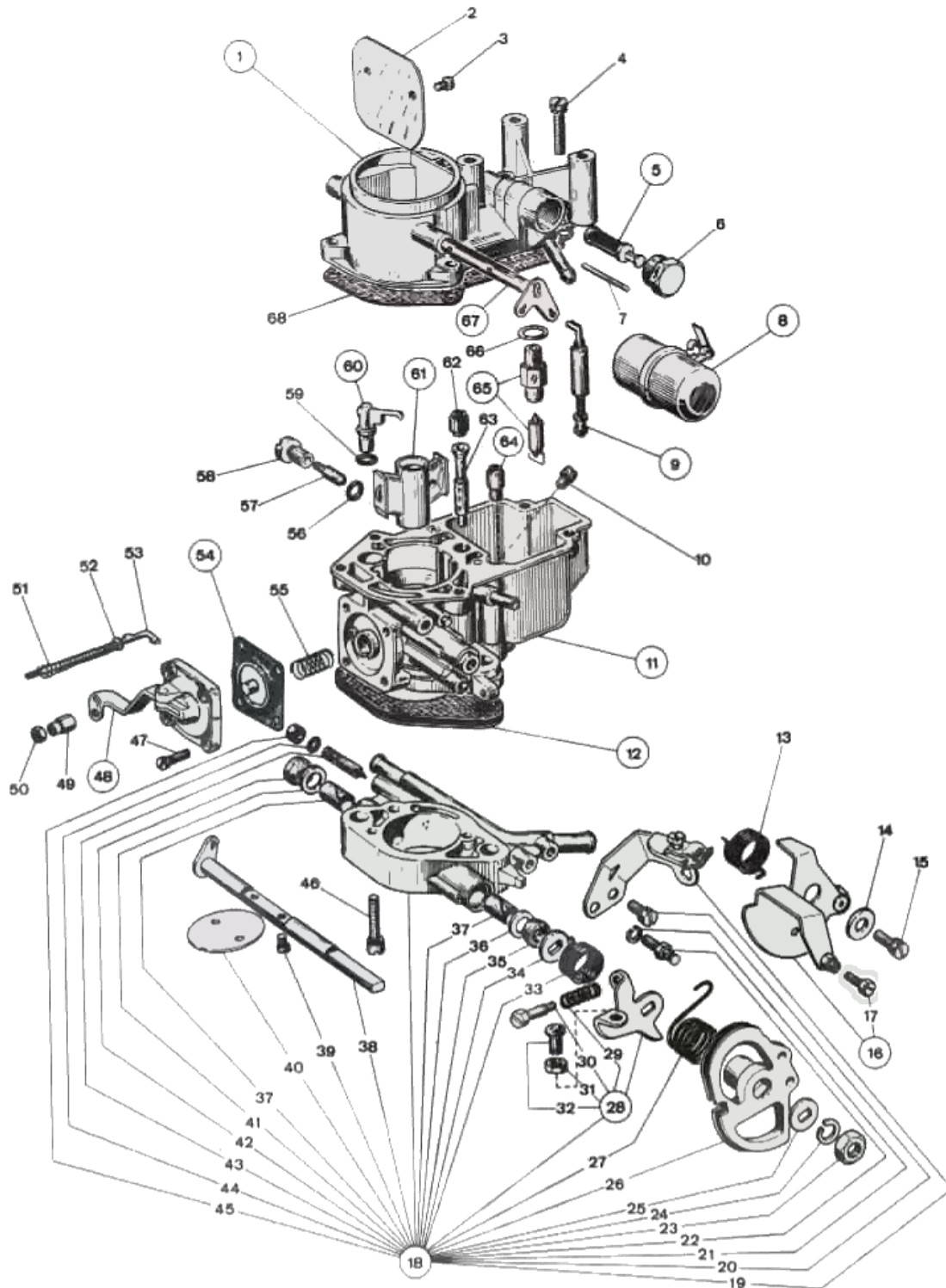




WEBER 34 IBP

Exploded view



<https://www.carbparts.eu>

Prices and product availability are subject to change



WEBER 34 IBP

List of parts



No	Part No	Price	Pcs	Description
1	31706.092	\$ 0	1	Carburetor top cover
2	64010.021	\$ 0	1	Choke throttle valve
3	64525.003	\$ 0	2	Choke plate fixing screw
4	64700.005	\$ 0.6	5	Top Cover Fixing Screw
5	37022.004	\$ 11.1	1	Filter element
6	61002.019	\$ 0	1	Fuel Filter Cover
7	52000.010	\$ 2.1	1	Float Fulcrum Pin
8	41015.019	\$ 59.6	1	Float
9	61287.061	\$ 0	1	Choke rod
10	73801.145	\$ 3.8	1	Main Jet
11		\$ 0	1	Carburettor body
12	39152.022	\$ 0	1	Base Spacer Heat Gasket
13	47610.056	\$ 5.4	1	Spring
14	55510.002	\$ 1.6	1	Spring Washer
15	64700.012	\$ 3.1	1	Lever Fixing Screw
16	45202.169	\$ 0	1	Choke Lever
17	64615.004	\$ 0	1	- Screw securing wire
18	67006.070	\$ 0	1	Carburettor shaft base. including:
19	58702.051	\$ 0	1	— Sheat Support
20	64700.012	\$ 3.1	1	Lever Fixing Screw
21	55525.003	\$ 0	1	— Rosetta elastica per vite comando acceler.
22	64880.013	\$ 0	1	— Vite lissaggio supporto com acceleratore
23	34715.014	\$ 1.1	1	Throttle Spindle Nut
24	55525.004	\$ 0	1	— Rosetta elastica per dado alberino princip.
25	55525.003	\$ 0	1	— Rosetta per dado alberino principale
26	45046.071	\$ 0	1	— Throttle lever
27	47610.157	\$ 0	1	— Molla richiamo leva comando farfalla
28	45041.212	\$ 0	1	— Leva di comando completa dii
29	47600.007	\$ 2.5	1	Idle Mixture Screw Spring
30	64625.006	\$ 0	1	— — Vite registro farfalla
31	34715.006	\$ 0	1	— Cold Start Nut
32	64595.009	\$ 0	1	— Screw
33	47610156	\$ 0	1	— Molla richiamo leva comando farfalla
34	55555.016	\$ 2.1	1	Shaft Spacer

No	Part No	Price	Pcs	Description
35	41575.010	\$ 5.7	1	Bushing
36	55510.087	\$ 0	1	— Rosetta ritengo piastrina supporto alberino
37	52130.010	\$ 5.2	2	— Piastrina supporto alberino
38	10015.534	\$ 0	1	— Alberino principale
39	64520.023	\$ 0.7	2	Throttle Plate Screw
40	64005.007	\$ 0	1	— Throttle valve
41	55510.087	\$ 0	1	— Rosetta ritengo piastrina supporto alberino
42	41575.010	\$ 5.7	1	Bushing
43	84750.074	\$ 0	1	— Vite registro miscela minimo
44	41565.010	\$ 0	1	Idle Mixture Screw O Ring
45	61075.014	\$ 0	1	Idle mixture tamper proof plug
46	64700.010	\$ 0	1	Fixing Screw
47	64565.002	\$ 0	4	Pump Cover Screw
48	32486.066	\$ 0	1	Accelerator Pump Cover
49	12800.166	\$ 9.7	1	Boccola per bramino comando pompa
50	34710.009	\$ 0	1	Fixing nut
51	41600.138	\$ 0	1	Pump rod spring
52	55510.019	\$ 1.3	1	Spring Washer
53	61285.032	\$ 0	1	Pump Rod
54	47407.045	\$ 0	1	Pump diaphragm
55	47600.107	\$ 9.9	1	Pump Spring
56	41565.601	\$ 0	1	O-Ring For Idle Jet Holder
57	74408.045	\$ 8.3	1	Idle Jet
58	52570.011	\$ 11	1	Idle Jet Holder
59	41545.001	\$ 0	1	Pump Jet Gasket
60	76413.050	\$ 0	1	Getto pompe
61	70515.450	\$ 0	1	Auxiliary Venturi
62	77201.190	\$ 3	1	Getto aria di treno
63	61446.229	\$ 0	1	Emulsion Tube
64	79701.000	\$ 10.5	1	Back bleed valve
65	79607.150	\$ 0	1	Float valve
66	83102.070	\$ 0.3	1	Needle valve gasket
67	10015.288	\$ 0	1	Alberino avvlamento
68	41700.006	\$ 0	1	Carburettor Cover Gasket

<https://www.carbparts.eu>

Prices and product availability are subject to change