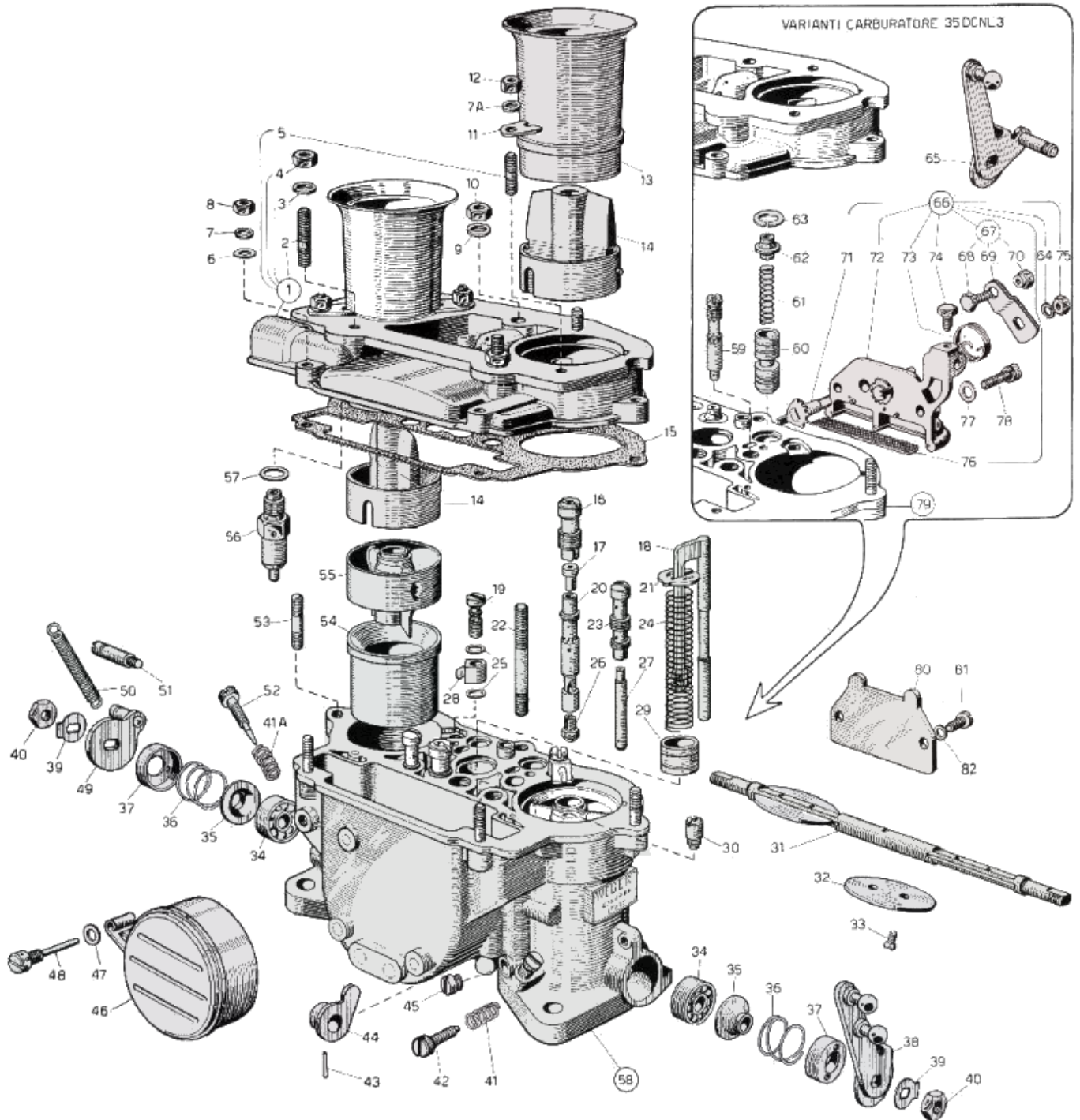




WEBER 35 DCNL 2/3 - exploded view



<https://www.carbparts.eu>

Prices and product availability are subject to change



CarbDeal
Selling carburetor parts since 2005



WEBER 35 DCNL 2/3 - Parts list

No	Part No	Price	Pcs	Description	No	Part No	Price	Pcs	Description
1	6905a	€ 0	1	Carburetor cover	42	64625.012	€ 5.4	1	Throttles adjusting screw
2	64955.104	€ 0	2	— Stud bolt	43	58445.001	€ 0.4	1	Spring pin
3	N 74	€ 0	2	— Spring washer	44	45082.013	€ 0	1	Pump control lever
4	34725.004	€ 0	2	— Securing nut	45	61015.001	€ 9.3	2	Progression orifices inspection screw
5	64955.009	€ 4.5	4	— Stud bolt	46	41015.008	€ 0	1	Float
6		€ 0	4	Washer	47	41530.017	€ 0		Gasket for float fulcrum screw
7		€ 0	4	Spring washer	48	64900.010	€ 0	1	Float fulcrum screw
7	41	€ 0	4	Spring washer	48	TS 685**	€ 0	1	Float fulcrum screw
8	34725.003	€ 1.8	4	Fixing nut	49	45028.040	€ 0	1	Shaft return lever
9		€ 0	1	Spring washer	50	47605.018	€ 0	1	Shaft return spring
10	34725.004	€ 0	1	Fixing nut	51	52010.036	€ 0	1	Spring retainer
11		€ 0	4	Plate securing air horn	52	64750.001	€ 2.5	2	Idling mixture adjusting screw
12	34725.003	€ 1.8	4	Fixing nut	53	64955.029	€ 0	4	Stud bolt
13	52840.022	€ 40.9	2	Air horn	54		€ 0	2	Choke
14		€ 0	2	Auxiliary Venturi extension pipe	55		€ 0	2	Auxiliary Venturi
15		€ 0	1	Gasket for carburetor cover	56	79504	€ 0	1	Needle valve
16	52580.001	€ 4.6	2	Emulsifying tube holder	57	41530.049	€ 0	1	Needle valve gasket
17	77401	€ 4.3		Air corrector jet	58	—	€ 0	1	CARBURETOR BODY
18	10410.017	€ 0	1	Pump control rod	59	75605	€ 10	2	Starting jet
19	64290.005	€ 16.2		Pump delivery valve	60	64330.003	€ 5.8	2	Starting valve
20	61450	€ 24.2	2	Emulsifying tube	61	47600.005	€ 2.9	2	Spring for valve
21	52140.007	€ 6.2		Retainer, pump plunger spring	62	12775.004	€ 2.9	2	Spring guide and retainer
22	64955.109	€ 0		Stud bolt	63	10140.010	€ 3.1	2	Circlip
23	77903	€ 0		Idling jet holder	64	55525.010	€ 0.4	1	— Spring washer
24	47600.103	€ 1.6	1	Pump plunger spring	65		€ 0	1	Throttles control lever
25	41540.014	€ 2.4		Pump jet gasket	66		€ 0	1	Starting control
26	73401	€ 12.5	2	Main jet	67		€ 0	1	— Starter control lever
27	41165.252	€ 0	2		68	64800.002	€ 0	1	— Screw securing wire
28	41252.009	€ 0	2	Pump jet	69	45025.043	€ 0	1	— Starting control lever
29	58602.004	€ 0	1	Pump plunger	70	34720.002	€ 0	1	— Nut for screw
30	79701	€ 6.6	1	Intake valve with discharge orifice	71	10085.009	€ 0	1	— Starting shaft
31		€ 0	1	Throttles shaft	72	32556.006	€ 0	1	— Sheath support cover
32		€ 0	2	Throttle valve	73	47610.042	€ 6.3	1	Lever return spring
33	64520.027	€ 0.6	4	Throttles fixing screw	74	64605.017	€ 1.8	1	— Screw securing sheath
34	32650.003	€ 0	2	Ball bearing	75	34715.010	€ 0	1	Lever fixing nut
35	41570.001	€ 1	2	Oust cover	76	37000.016	€ 3.8	1	— Strainer
36	47600.063	€ 1.8		Spring	77	55510.038	€ 0	2	— Washer
37	58000.007	€ 2.7	2	Small lid for spring retainer	78	64700.004	€ 2	2	— Fixing screw
38	45034.053	€ 0	1	Throttles control lever	79	—	€ 0	1	CARBURETOR BODY
39	55520.004	€ 1	2	Lock washer	80	52135.008	€ 2.5	1	Plate
40	34710.003	€ 1	2	Fixing nut	81		€ 0	2	Fixing screw
41	38	€ 0	1	Spring for throttles adj. screw	82	55525.010	€ 0.4	2	Spring washer
41	47600.007	€ 2.2	2	Spring for throttles adj. screw					

<https://www.carbparts.eu>

Prices and product availability are subject to change

