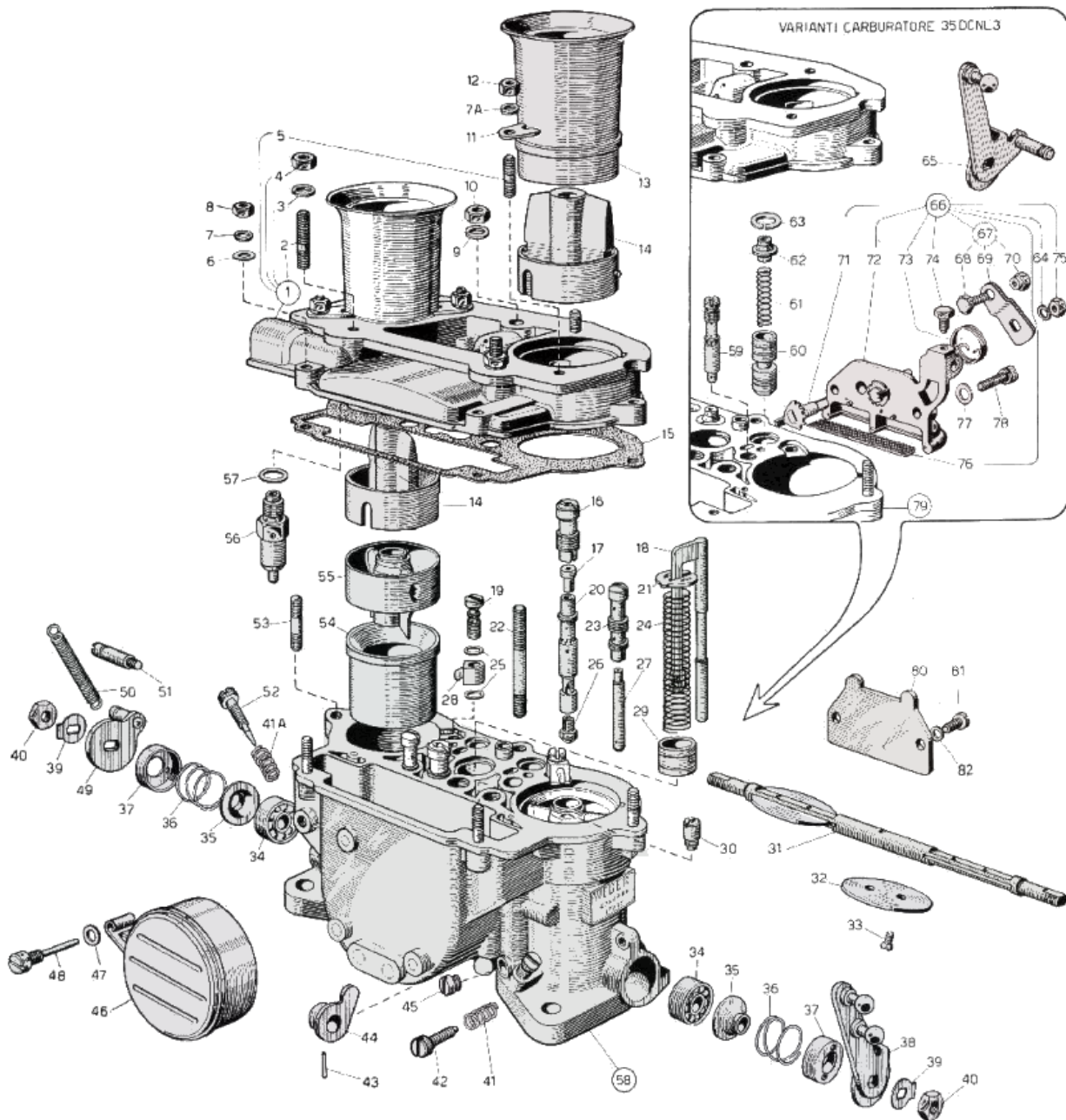




# WEBER 35 DCNL 2/3

## Exploded view



<https://www.carbparts.eu>

Los precios y la disponibilidad de los productos están sujetos a cambios



# WEBER 35 DCNL 2/3

## Lista de partes



No	Parte No	Precio	Pcs	Descripción
1	6905a	-	1	Carburetor cover
2	64955.104	-	2	— Stud bolt
3	N 74	-	2	— Spring washer
4	34725.004	-	2	— Securing nut
5	64955.009	\$ 5.2	4	— Stud bolt
6		-	4	Washer
7	41	-	4	Spring washer
7		-	4	Spring washer
8	34725.003	-	4	Fixing nut
9		-	1	Spring washer
10	34725.004	-	1	Fixing nut
11	52150.014	\$ 8.5	4	Plate securing air horn
12	34725.003	-	4	Fixing nut
13	52840.022	\$ 69.8	2	Air horn
14		-	2	Auxiliary Venturi extension pipe
15		-	1	Gasket for carburetor cover
16	52580.001	\$ 7.2	2	Emulsifying tube holder
17	77401	\$ 5		Air corrector jet
18	10410.017	-	1	Pump control rod
19	64290.005	\$ 35.3		Pump delivery valve
20	61450	\$ 12.4	2	Emulsifying tube
21	52140.007	\$ 7.2		Retainer, pump plunger spring
22	64955.109	-		Stud bolt
23	77903	\$ 8.6		Idling jet holder
24	47600.103	\$ 2.5	1	Pump plunger spring
25	41540.014	\$ 2.8		Pump jet gasket
26	73401	\$ 4.2	2	Main jet
27	41165.252	-	2	
28	41252.009	-	2	Pump jet
29	58602.004	-	1	Pump plunger
30	79701	\$ 10.5	1	Intake valve with discharge orifice
31		-	1	Throttles shaft
32		-	2	Throttle valve
33	64520.027	-	4	Throttles fixing screw
34	32650.003	\$ 2.3	2	Ball bearing
35	41570.001	\$ 1.2	2	Oust cover
36	47600.063	\$ 2.3		Spring
37	58000.007	\$ 3.2	2	Small lid for spring retainer
38	45034.053	-	1	Throttles control lever
39	55520.004	\$ 1.2	2	Lock washer
40	34710.003	\$ 1.2	2	Fixing nut
41	47600.007	\$ 2.7	2	Spring for throttles adj. screw
41	38	-	1	Spring for throttles adj. screw

No	Parte No	Precio	Pcs	Descripción
42	64625.012	\$ 8.6	1	Throttles adjusting screw
43	58445.001	-	1	Spring pin
44	45082.013	-	1	Pump control lever
45	61015.001	\$ 7.9	2	Progression orifices inspection screw
46	41015.008	-	1	Float
47	41530.017	-		Gasket for float fulcrum screw
48	64900.010	-	1	Float fulcrum screw
48	TS 685**	-	1	Float fulcrum screw
49	45028.040	-	1	Shaft return lever
50	47605.018	-	1	Shaft return spring
51	52010.036	-	1	Spring retainer
52	64750.001	\$ 4	2	Idling mixture adjusting screw
53	64955.029	-	4	Stud bolt
54		-	2	Choke
55		-	2	Auxiliary Venturi
56	79504	\$ 19.8	1	Needle valve
57	41530.049	-	1	Needle valve gasket
58	—	-	1	CARBURETOR BODY
59	75605	\$ 15.8	2	Starting jet
60	64330.003	\$ 9.2	2	Starting valve
61	47600.005	\$ 2.3	2	Spring for valve
62	12775.004	\$ 4.7	2	Spring guide and retainer
63	10140.010	\$ 3.7	2	Circlip
64	55525.010	-	1	— Spring washer
65		-	1	Throttles control lever
66		-	1	Starting control
67		-	1	— Starter control lever
68	64800.002	\$ 7.6	1	— Screw securing wire
69	45025.043	-	1	— Starting control lever
70	34720.002	\$ 6.7	1	— Nut for screw
71	10085.009	-	1	— Starting shaft
72	32556.006	-	1	— Sheath support cover
73	47610.042	\$ 9.9	1	Lever return spring
74	64605.017	\$ 1.7	1	— Screw securing sheath
75	34715.010	-	1	Lever fixing nut
76	37000.016	\$ 5.9	1	— Strainer
77	55510.038	-	2	— Washer
78	64700.004	\$ 3.1	2	— Fixing screw
79	—	-	1	CARBURETOR BODY
80	52135.008	\$ 4.9	1	Plate
81		-	2	Fixing screw
82	55525.010	-	2	Spring washer

<https://www.carbparts.eu>

Los precios y la disponibilidad de los productos están sujetos a cambios