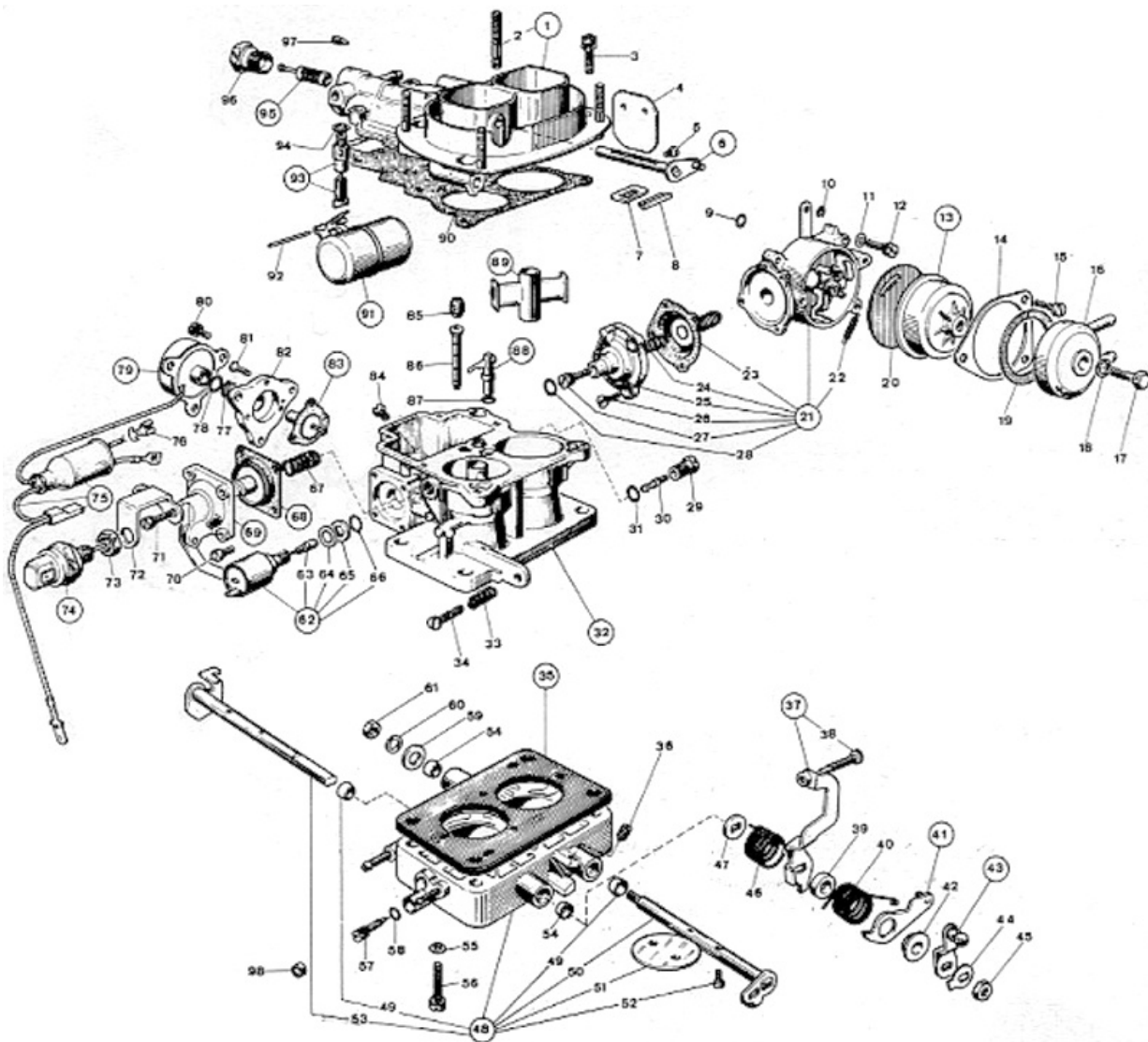




# WEBER 36 ADL 1/250

## *Exploded view*



<https://www.carbparts.eu>

Preise und Produktverfügbarkeit können sich ändern



# WEBER 36 ADL 1/250

## Liste der Teile



No	Teil Nr.	Preis	Stück	Beschreibung
1	31716.367	-	1	Carburetor cover Assy, including:
2	64955.007	\$ 13.5	4	Inspection cover stud
3	64700.005	-	6	Top Cover Fixing Screw
4	64010.034	-	1	Choke throttle valve
5	64525.003	-	2	Choke plate fixing screw
6	10015.274	\$ 14.1	1	Choke shaft
7	52135.018	\$ 3.4	1	Dust seal plate
8	61070.002	\$ 3.4	1	Dust seal plug
9	41565.008	-	1	O ring
10	10140.501	\$ 1.8	1	Locking Ring
11	55510.004	-	2	Washer
12	64700.001	-	2	Fixing Screw
13	57804.146	-	1	Autochoke Thermostat
14	52135.029	\$ 2.7	1	Choke Lock Ring
15	64615.005	-	3	Inspection Cover Fixing Screw
16	32444.000	-	1	Water Choke Cover
17	64610.008	-	1	Water Cover Fixing Screw
18	41530.002	\$ 2	1	Gasket
19	41555.001	-	1	Seal
20	41540.052	-	1	Auto Choke Body Gasket
21	57804.290	-	1	Auto Choke Assy. Including
22	47605.040	-	1	- Return Spring
23	47407.167	-	1	— Choke diaphragm
24	47600.229	-	1	— Diaphragm loading spring
25	32384.039	\$ 43.3	1	— Diaphragm cover
26	64560.004	-	3	— Diaphragm cover fixing screw
27	64895.010	-	1	Screw
28	41565.010	-	1	Idle Mixture Screw O Ring
29	52570.006	\$ 7.3	1	Idle Jet Holder
30	74403.050	\$ 3.8	1	Idle jet
31	41565.002	-	t	O-Ring For Idle Jet Holder
32	-	-	1	Carburetor Body
33	47600.007	\$ 2.6	1	Idle Mixture Screw Spring
34	64625.012	\$ 8.2	1	Throttle Adjustment Screw
35	39152.018	-	1	Base Spacer Heat Gasket
36	64595.013	-	1	Secondary throttle adjusting screw
37	45041.133	-	1	Fast Idling Loose Lever Assy Including
38	64590.010	-	1	— Fast idle lever adjusting screw
39	12750.097	\$ 14.2	1	Brass Spacer
40	47610.092	\$ 5.7	1	Spindle return spring
41	45069.030	-	1	Lever
42	12775.053	-	1	Bushing
43	45027.133	-	1	Throttles control lever
44	55520.002	\$ 1.1	1	Shaft Lock Tab
45	34715.014	\$ 1.1	1	Throttle Spindle Nut
46	47610.091	-	1	Choke lever return spring
47	55555.019	\$ 1.7	1	Shaft Spacer
48	67016.059	-	1	Carburettor shaft base, including:
49	41575.010	\$ 5.9	2	Bushing
50	10015.290	-	1	Secondary Throttle Shaft
51	64005.014	\$ 19.1	2	Throttle Valve

No	Teil Nr.	Preis	Stück	Beschreibung
52	64520.027	-	4	Throttle plate screw
53	10015.301	-	1	Primary Throttle Shaft
54	41575.010	\$ 5.9	2	Bushing
55	55510.034	-	2	Spring Washer
56	64700.001	-	2	Fixing Screw
57	64750.052	-	1	Air Adjusting Screw
58	41565.010	-	1	Idle Mixture Screw O Ring
59	55510.081	\$ 2.3	1	Washer For Shaft
60	55525.001	-	1	Spring Washer
61	34705.001	-	1	Nut
62	43903.050	-	1	Idle Cut Off Solenoid
63	74409.050	\$ 4.7	1	— Idle jet
64	55530.016	-	1	— Wavy Washer
65	58000.019	-	1	— Cup Washer
66	41565.001	-	1	Pump Jet 'O' Ring
67	47600.092	-	1	Pump Spring
68	47407.118	\$ 37.3	1	Pump diaphragm
69	32486.084	-	1	Accelerator Pump Cover
70	64565.001	-	2	Screw
71	64700.019	-	2	Pump Cover Screw
72	56510.008	-	1	Staffa per interruttore
73	34715.003	-	1	Nut
74	32240.501	-	1	Interruttore unipolare
75	14975.033	-	1	Cavo unipolare
76	14910.004	-	1	Capocorda femmina
77	47600.191	-	1	Molla per membrana piena potenza
78	41565.016	-	1	Guarnizione per elettromagnete
79	43846.025	-	1	Elettromagnete
80	64700.013	\$ 3.4	3	Fixing Screw
81	64565.002	-	3	Pump Cover Screw
82	39172.030	-	1	Flangia per valvola piena potenza
83	47407.195	-	1	Membrana per valvola piena potenza
84	73801.122	\$ 6.6	1	Main jet
84	73801.160	\$ 4	1	Main jet
85	77201.200	\$ 3.2	1	Secondary air corrector jet
85	77201.165	\$ 3.2	1	Primary Air Corrector Jet
86	61440.371	-	1	Secondary Emulsion Tube
86	61440.365	\$ 33.5	1	Primary Emulsion Tube
87	41585.001	-	1	Pump Jet Gasket
88	78407.055	-	1	Pump jet
89	70508.450	-	1	Auxiliary Venturi Secondary
89	70508.450	-	1	Auxiliary Venturi Secondary
90	41705.049	-	1	Carburettor Cover Gasket
91	41015.004	\$ 60.1	1	Float
92	52000.015	\$ 2.1	1	Float pivot
93	79510.175	-	1	Needle & Seat
94	83102.070	-	1	Needle valve gasket
95	37022.004	\$ 10.5	1	Filter element
96	61002.019	-	1	Fuel Filter Cover
97	64595.014	-	1	Throttles adjusting screw
98	61075.014	-	1	Idle mixture tamper proof plug

<https://www.carbparts.eu>

Preise und Produktverfügbarkeit können sich ändern