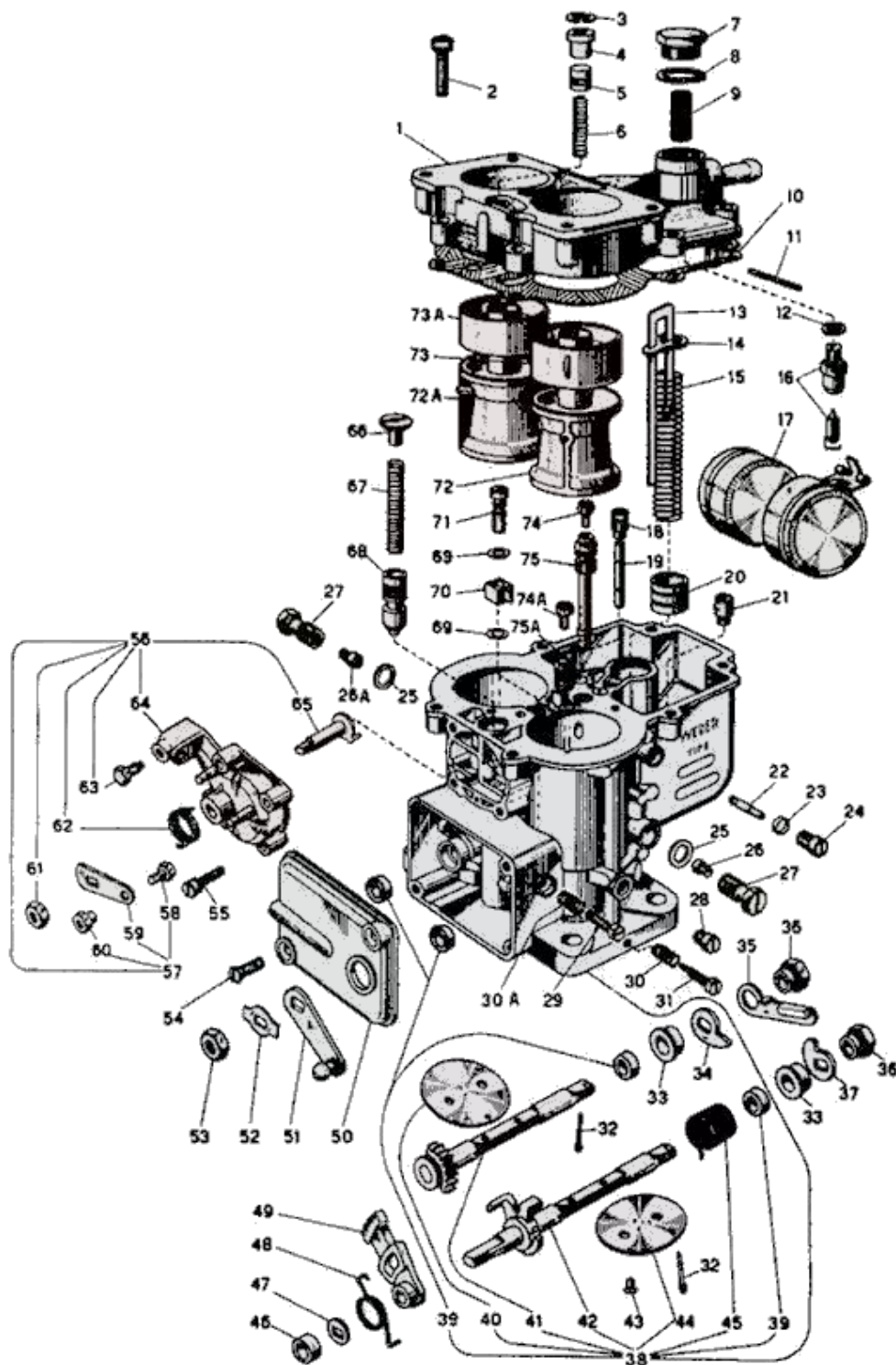




WEBER 36 DCD

Exploded view



<https://www.carbparts.eu>

Οι τιμές και η διαθεσιμότητα των προϊόντων υπόκεινται σε αλλαγές



WEBER 36 DCD

Κατάλογος εξαρτημάτων



No	Αριθμός εξαρτήματος	Τιμή	Τεμάχια	Περιγραφή
1	NLA	-	1	Carburetor Top Cover
2	64700.001	-	6	Carburetor Cover Fixing Screw
3	10140.010	\$ 3.7	1	Lock Washer
4	12775.013	-	1	Starter Plunger Seat
5	58600.007	\$ 36.3	1	Starter Plunger
6	47600.052	-	1	Starter Plunger Spring
7	61002.010	\$ 7.4	1	Filter Cover
8	41530.024	-	1	Filter Cover Gasket
9	37022.010	\$ 6	1	Gauze Filter
10	41705.002	-	1	Top Cover Gasket
11	83102.070	-	1	Float Pin
12	83102.070	-	1	Needle Valve Gasket
13	10400.012	\$ 10.9	1	Plunger Shaft
14	52140.002	\$ 7.2	1	Plunger Spring Retaining Plate
15	47600.085	-	1	Pump Plunger Spring
16	79507	\$ 10.5	1	Needle & Seat
17	41030.011	\$ 98.7	1	Float
18	77505	-	1	Air Corrector Jet
19	75504	\$ 8.3	1	Starter Jet
20	58602.004	-	1	Pump Plunger
21	79701	\$ 9.9	1	Intake Valve With Exhaust Orifice
22	74401	\$ 7.4	1	Idle Jet
23	41565.045	\$ 1.9	1	Idle Jet Holder Gasket
24	52570.005	\$ 9.4	1	Idle Jet Holder
25	41540.001	\$ 2	2	Main Jet Holder Gasket
26	73801	\$ 4	1	Primary Main Jet
26a	73801	\$ 4	1	Secondary Main Jet
27	52590.001	\$ 9.5	2	Main Jet Holder
28	61015.001	\$ 7.5	1	Inspection Screw
29	64625.002	\$ 4.2	1	Throttle Adjustment Screw
30a	47600.084	\$ 6.1	1	Throttle Adjustment Screw Spring
30	47600.084	\$ 6.1	1	Idle Mixture Screw Spring
31	64755.006	\$ 13.1	1	Idle Mixture Adjustment Screw
32	Not Serviced	-	2	Split Pin
33	12775.012	-	1	Shaft Nut
34	45080.010	-	1	Second Pumping Lever
35	45067.001	-	1	Pump Control Loosened Lever
36	34720.001	\$ 7.2	2	Shaft Nut
37	45080.011	-	1	Pumping Lever
38	Not Serviced	-	1	Carburetor Body
39	Not Serviced	-	4	Spindle Grommet

No	Αριθμός εξαρτήματος	Τιμή	Τεμάχια	Περιγραφή
40		-	1	Throttle valve for secondary
41	10015.407	-	1	Shaft For Secondary Duct
42	10015.416	-	1	Shaft For Primary Duct
43	Not Serviced	-	4	Throttle Valve Fixing Screw
44	64005.045	-	1	Throttle Valve For Primary Duct
45	47610.034	-	1	Return Spring
46	12750.039	-	1	Shaft Distance Piece
47	55555.016	\$ 2.3	1	Primary Shaft Distance Washer
48	47610.009	-	1	Return Spring- Primary Toothed Sector
49	58202.001	\$ 62	1	Primary Toothed Sector
50	32464.008	-	1	Toothed Sector Box Cover
51	45027.001	\$ 18.5	1	Throttle Control Lever
52	55520.002	\$ 1.2	1	Tab Washer
53	34715.014	\$ 1.2	1	Throttle Control Lever Fixing Nut
54	64570.004	\$ 3.1	2	Screw, Toothed Sector Cover Box
55	64700.004	\$ 3	4	Fixing Screw, Sheath Support Cover
56	32536.005	-	1	Sheath Support Cover
57	45027.017	\$ 19.1	1	Starter Control Lever
58	64800.002	\$ 7.6	1	Cable Fixing Screw
59	45025.003	\$ 10.5	1	Starter Control Lever
60	34715.010	-	1	Cable Fixing Screw Nut
61	34715.010	-	1	Starter Control Lever Fixing Nut
62	47610.004	\$ 5.8	1	Starter Control Lever Return Spring
63	64605.017	\$ 1.7	1	Sheath Fixing Screw
64	Not Serviced	-	1	Cover With Sheath Support
65	10085.004	\$ 54.1	1	Starter Valve Control Shaft
66	52030.001	-	1	Spring Guide And Retainer
67	47600.051	\$ 5.2	1	Starter Valve Spring
68	64330.001	\$ 34.7	1	Starter Valve
69	41540.014	\$ 2.8	2	Pump Jet Gasket
70	76203	-	1	Pump Jet
71	64290.005	\$ 34.8	1	Pump Delivery Valve
72a	71701	-	1	Secondary Venturi
72	71702	-	1	Primary Venturi
73	69001	-	1	Auxiliary Venturi, Primary
73a	69001	-	1	Auxiliary Venturi, Secondary
74a	77502	\$ 5.2	1	Air Corrector Jet Secondary
74	77502	\$ 5.2	1	Air Corrector Jet Primary
75	61455	\$ 38.5	1	Emulsion Tube, Primary
75a	61455	\$ 38.5	1	Emulsion Tube, Secondary

<https://www.carbparts.eu>

Οι τιμές και η διαθεσιμότητα των προϊόντων υπόκεινται σε αλλαγές