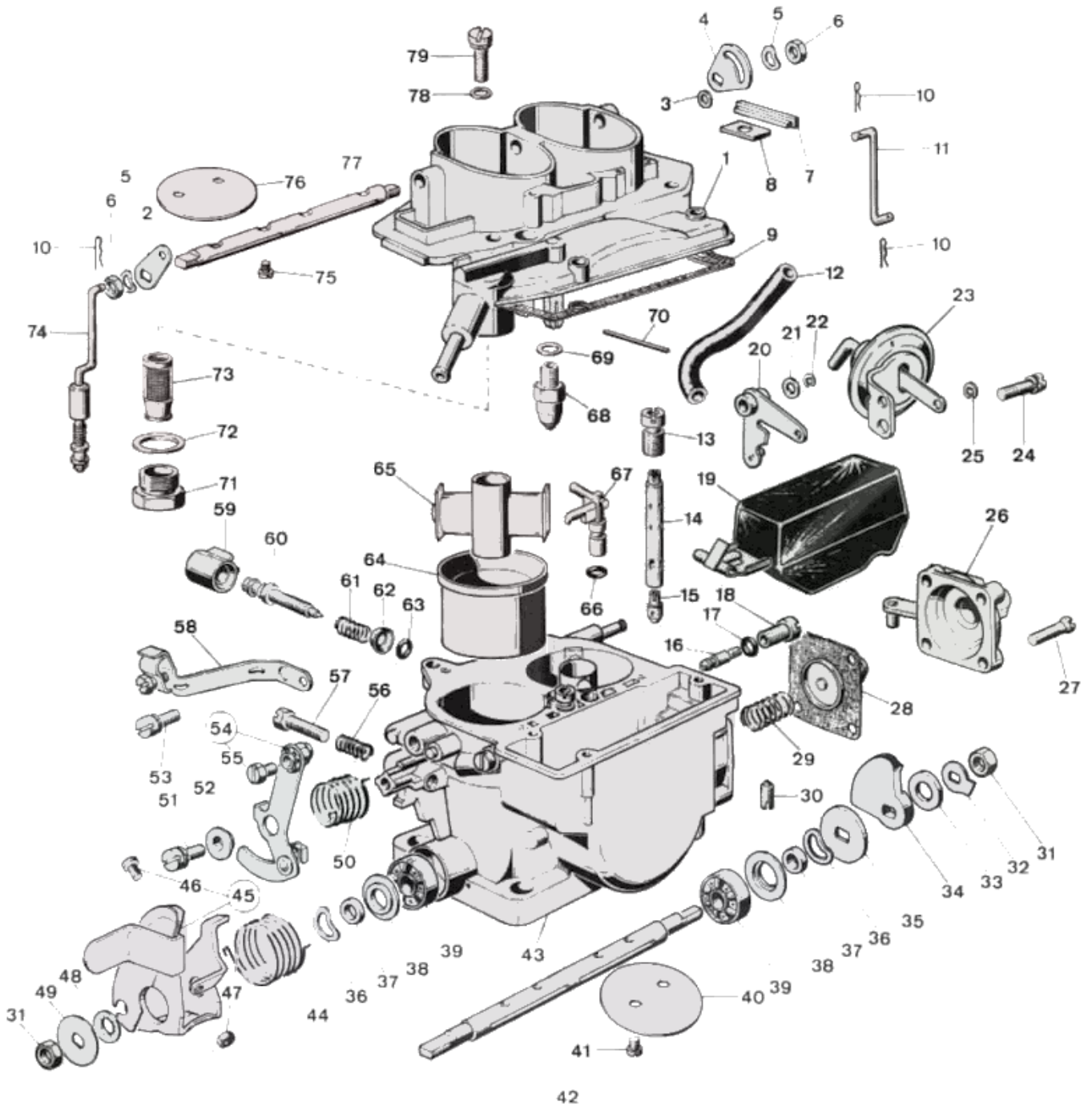




## WEBER 36 DCNVA 16 - exploded view



<https://www.carbparts.eu>

Prices and product availability are subject to change



**CarbDeal**  
Selling carburetor parts since 2005



## WEBER 36 DCNVA 16 - Parts list

No	Part No	Price	Pcs	Description	No	Part No	Price	Pcs	Description
1	31716.273	€ 0	1	Carburetor top cover	41	64520.045	€ 0	4	Throttle Plate Screw
2	45025.172	€ 0	1	Choke Lever	42	10005.237	€ 0	1	Throttle Shaft
3	55510.019	€ 1.2	1	Spring Washer	43	-	€ 0	1	Carburetor Body
4	45129.014	€ 0	1	Lever	44	47610.126	€ 0	1	Lever return spring
5	55530.008	€ 3.6	2	Spring Ring	45	45048.052	€ 0	1	Throttle control lever
6	34715.006	€ 0	2	— Cold Start Nut	46	64595.009	€ 0	1	— Screw
7	61070.002	€ 2.9	2	Dust seal plug	47	34715.006	€ 0	1	— Cold Start Nut
8	52135.010	€ 2.9	2	Dust seal plate	48	55535.004	€ 0	1	Wave Washer
9	41705.051	€ 0	1	Top Cover Gasket	49	55555.048	€ 0	1	Shaft Spacer
10	32610.003	€ 1.4	3	Spilt pin	50	47610.099	€ 0	1	Lever return spring
11	61280.117	€ 0	1	Choke Control Rod	51	64700.012	€ 2.8	2	Lever Fixing Screw
12	61400.009	€ 0	1	Pneumatic pump connecting pipe	52	12775.057	€ 0	1	Bushing
13	77501.175	€ 7.2	2	Air Correction Jet	53	64700.012	€ 2.8	1	Lever Fixing Screw
14	61450.241	€ 0	2	Emulsion Tube	54	45202.115	€ 0	1	Choke Lever
15	73405.150	€ 5.7	2	Main Jet	55	64615.004	€ 0	1	- Screw securing wire
16	74405.042	€ 0	2	Idle Jet	56	47600.007	€ 2.2	1	Idle Mixture Screw Spring
17	41565.002	€ 0.4	2	O-Ring For Idle Jet Holder	57	64625.025	€ 0	1	Throttle Stop Screw
18	52570.006	€ 6.2	2	Idle Jet Holder	58	5870Z040	€ 0	1	Cable holder
19	41015.018	€ 0	1	Float	59		€ 0	2	Carburetor body
20	45069.041	€ 0	1	Lever	60	64750.073	€ 0	2	Idle Mixture Screw
21	55510.034	€ 0.4	1	Spring Washer	61	47600.007	€ 2.2	2	Idle Mixture Screw Spring
22	10140.502	€ 2.1	1	Locking Ring	62	58000.006	€ 1.8	2	Throttle Stop Screw O Ring Cap
23	57804.180	€ 0	1	Dispositivo sgolfamento	63	41565.002	€ 0.4	2	O-Ring For Idle Jet Holder
24	64700.012	€ 2.8	1	Lever Fixing Screw	64	72107.290	€ 0	2	Choke tube
25	10140.501	€ 1.6	1	Locking Ring	65	70503.450	€ 0	2	Auxiliary venturi
26	32486.058	€ 0	1	Accelerator Pump Cover	66	41565.001	€ 0	1	Pump Jet 'O' Ring
27	64565.001	€ 0	4	Screw	67	76414.040	€ 0	1	Pump jet
28	47407.050	€ 7.9	1	Pump diaphragm	68	79503.175	€ 7.2	1	Float valve
29	47600.107	€ 6.3	1	Pump Spring	69	83102.070	€ 1.6	1	Gasket for Needle Valve
30	64595.016	€ 0	1	Diaphragm Adjusting Screw	70	52000.010	€ 1.8	1	Float Fulcrum Pin
31	34710.003	€ 1	2	Throttle Spindle Nut	71	61002.010	€ 6.2	1	Fuel Filter Cover
32	55520.004	€ 1	1	Throttle Shaft Lock Washer	72	41540.012	€ 0	1	Fuel Filter Gasket
33	55510.006	€ 0	1	Washer For Shaft	73	37022.002	€ 3.7	1	Filter element
34	14852.042	€ 0	1	Pump Cam	74	61287.031	€ 0	1	Choke rod
35	55555.010	€ 1.7	1	Washer For Shaft	75	64625.003	€ 0	4	Choke plate fixing screw
36	55530.010	€ 0	2	Wavy Washer	76	64005.052	€ 0	2	Choke throttle valve
37	12750.053	€ 0	2	Shaft Distance Piece	77	10005.225	€ 0	1	Choke shaft
38	58000.017	€ 0	2	Spring Retaining Cover	78	55510.034	€ 0.4	5	Spring Washer
39	32650.001	€ 3.3	2	Throttle Shaft Bearing	79	64700.005	€ 0.5	5	Top Cover Fixing Screw
40	64005.014	€ 16.4	2	Throttle Valve					

<https://www.carbparts.eu>

Prices and product availability are subject to change

