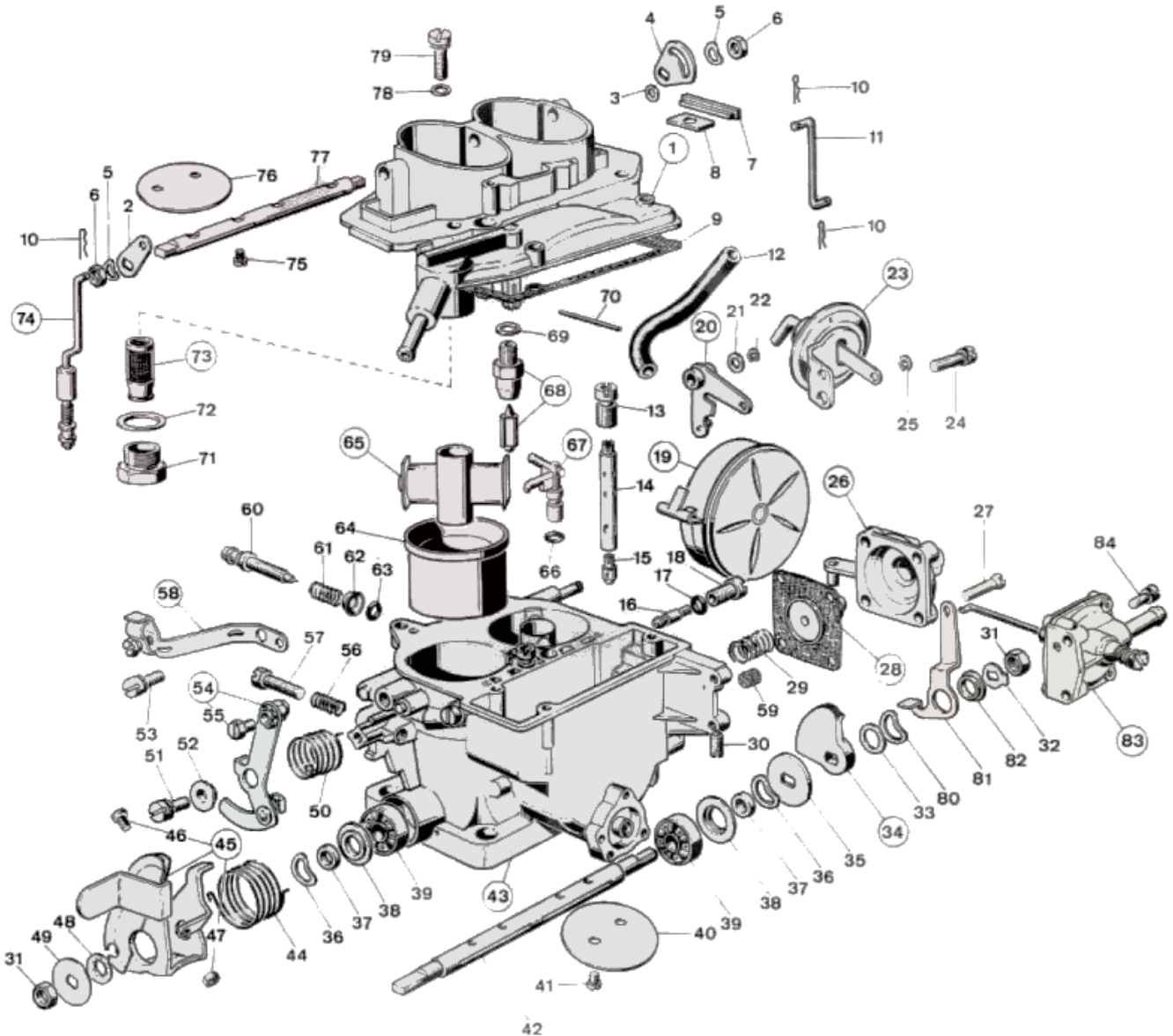




WEBER 36 DCNVA 6 - exploded view



<https://www.carbparts.eu>

Prices and product availability are subject to change



CarbDeal
Selling carburetor parts since 2005



WEBER 36 DCNVA 6 - Parts list

No	Part No	Price	Pcs	Description	No	Part No	Price	Pcs	Description
1	31716.273	€ 0	1	Carburetor top cover	43		€ 0	1	Carburettor body
2	45025.172	€ 0	1	Choke Lever	44	47610.126	€ 0	1	Lever return spring
3	55510.080	€ 0	1	Spring Washer	45	45048.052	€ 0	1	Throttle control lever
4	45129.014	€ 0	1	Lever	46	64595.009	€ 0	1	— Screw
5	55530.008	€ 3.6	2	Spring Ring	47	34715.006	€ 0	1	— Cold Start Nut
6	34715.006	€ 0	2	— Cold Start Nut	48	55535.004	€ 0	1	Wave Washer
7	61070.002	€ 2.9	2	Dust seal plug	49	55555.048	€ 0	1	Shaft Spacer
8	52135.010	€ 2.9	2	Dust seal plate	50	47610.099	€ 0	1	Lever return spring
9	41705.051	€ 0	1	Top Cover Gasket	51	64700.012	€ 2.8	1	Lever Fixing Screw
10	32610.003	€ 1.4	3	Spilt pin	52	12775.057	€ 0	1	Bushing
11	61280.117	€ 0	1	Choke Control Rod	53	64700.012	€ 2.8	1	Lever Fixing Screw
12	61400.009	€ 0	1	Pneumatic pump connecting pipe	54	45202.115	€ 0	1	Choke Lever
13	77501.175	€ 7.2	2	Air Correction Jet	55	64615.004	€ 0	1	- Screw securing wire
14	61450.232	€ 0	2	Emulsion Tube	56	47600.007	€ 2.2	1	Idle Mixture Screw Spring
15	73405.132	€ 0	2	Main Jet	57	64625.025	€ 0	1	Throttle Stop Screw
16	74405.040	€ 2.9	2	Idle Jet	58	58702.040	€ 0	1	Choke Cable Bracket
17	41565.002	€ 0.4	2	O-Ring For Idle Jet Holder	59	37000.024	€ 0	1	Filter Gauze
18	52570.006	€ 6.2	2	Idle Jet Holder	60	64750.073	€ 0	2	Idle Mixture Screw
19	41015.015	€ 103	1	Float	61	47600.007	€ 2.2	2	Idle Mixture Screw Spring
20	45069.041	€ 0	1	Lever	62	58000.006	€ 1.8	2	Throttle Stop Screw O Ring Cap
21	55510.034	€ 0.4	1	Spring Washer	63	41565.002	€ 0.4	2	O-Ring For Idle Jet Holder
22	10140.502	€ 2.1	1	Locking Ring	64	72107.280	€ 0	2	Choke tube
23	57804.180	€ 0	1	Dispositivo sgoltamento	65	70503.450	€ 0	2	Auxiliary venturi
24	64700.012	€ 2.8	1	Lever Fixing Screw	66	41565.001	€ 0	1	Pump Jet 'O' Ring
25	10140.501	€ 1.6	1	Locking Ring	67	76409.050	€ 0	1	Pump jet
26	32486.058	€ 0	1	Accelerator Pump Cover	68	79503.175	€ 7.2	1	Float valve
27	64565.001	€ 0	4	Screw	69	83102.070	€ 1.6	1	Gasket for Needle Valve
28	47407.050	€ 7.9	1	Pump diaphragm	70	52000.010	€ 1.8	1	Float Fulcrum Pin
29	47600.107	€ 6.3	1	Pump Spring	71	61002.010	€ 6.2	1	Fuel Filter Cover
30	64595.016	€ 0	1	Diaphragm Adjusting Screw	72	41540.012	€ 0	1	Fuel Filter Gasket
31	34710.003	€ 1	2	Throttle Spindle Nut	73	37022.002	€ 3.7	1	Filter element
32	55520.004	€ 1	1	Throttle Shaft Lock Washer	74	61287.056	€ 0	1	Choke rod
33	55510.010	€ 0	1	Spacer	75	64525.003	€ 0	4	Choke plate fixing screw
34	14852.042	€ 0	1	Pump Cam	76	64005.052	€ 0	2	Choke throttle valve
35	55555.010	€ 1.7	1	Washer For Shaft	77	10005.225	€ 0	1	Choke shaft
36	55530.010	€ 0	2	Wavy Washer	78	55510.034	€ 0.4	5	Spring Washer
37	12750.053	€ 0	2	Shaft Distance Piece	79	64700.005	€ 0.5	5	Top Cover Fixing Screw
38	58000.017	€ 0	2	Spring Retaining Cover	80	55530.002	€ 3	1	Wavy Washer
39	32650.001	€ 3.3	2	Throttle Shaft Bearing	81	45032.186	€ 0	1	Fast Idle Control Lever
40	64005.014	€ 16.4	2	Throttle Valve	82	12775.042	€ 0	1	Bushing
41	64520.045	€ 0	4	Throttle Plate Screw	83	31800.063	€ 0	1	Capsula minimo accelerato
42	10005.237	€ 0	1	Throttle Shaft	84	64700.010	€ 0	2	Fixing Screw

<https://www.carbparts.eu>

Prices and product availability are subject to change

