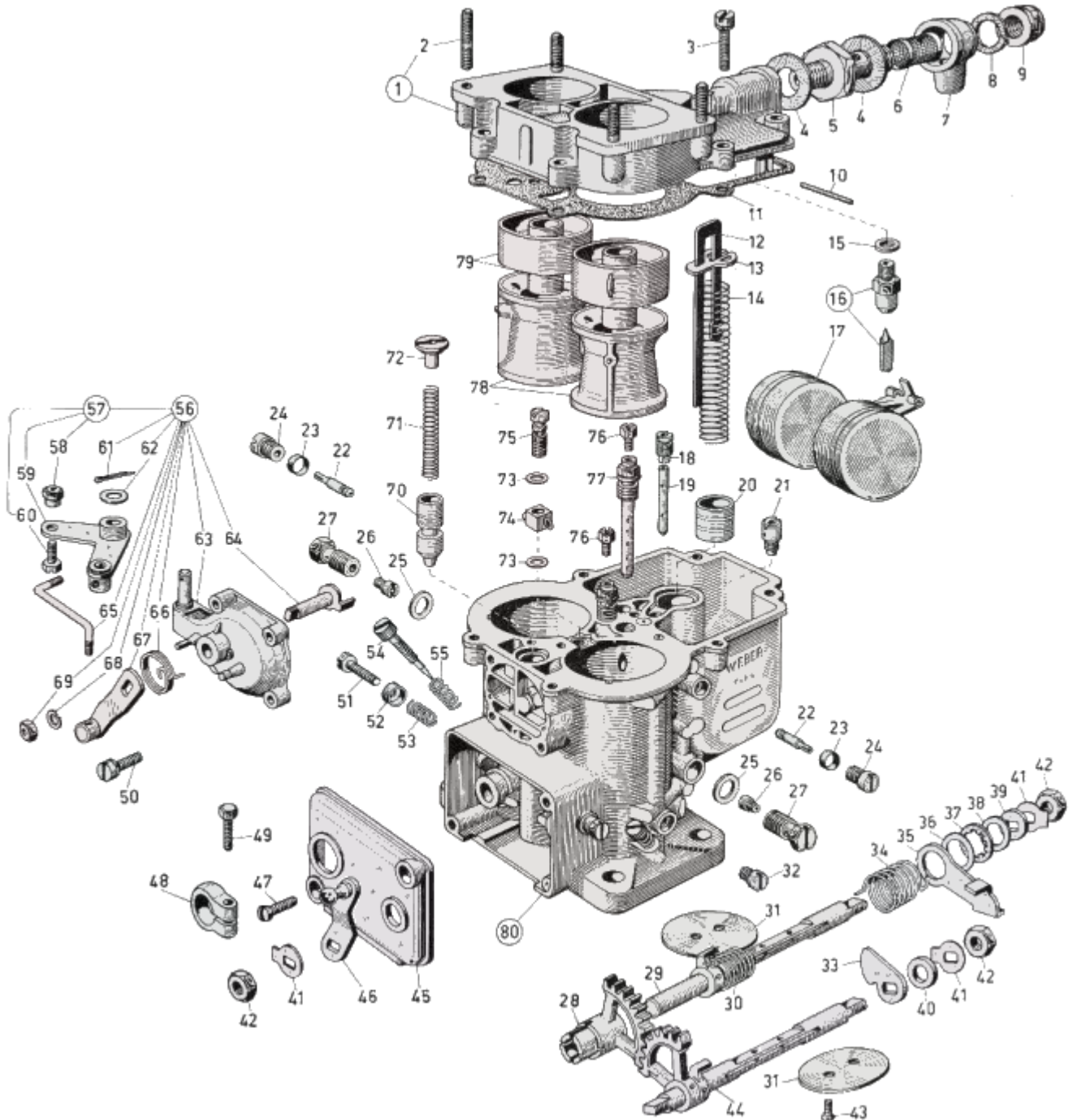




WEBER 36 DCS - exploded view



<https://www.carbparts.eu>

Prices and product availability are subject to change



CarbDeal
Selling carburetor parts since 2005



WEBER 36 DCS - Parts list

No	Part No	Price	Pcs	Description	No	Part No	Price	Pcs	Description
1	6994a	£ 0	1	Coperchio carburatore completo di :	41	6371	£ 0	3	Throttle Shaft Lock Washer
2	G 228	£ 0	4	— Stud bolt	42	865	£ 0	3	Fixing nut
3	665	£ 0	6	Top Cover Fixing Screw	43	767	£ 0	4	— Throttles fixing screw
4	235	£ 0	2	Gasket for connection	44	7003a	£ 0	1	Throttle Shaft
5	TS 597	£ 0	1	Connection for fuel filter casing	45	4821	£ 0	1	Coperchio scatola settore dentati
6	241a	£ 0	1	Strainer	46	7005a	£ 0	1	Throttle Valve Control Lever
7	F 23	£ 0	1	Fuel Union	47	2288	£ 0	2	Vite fissaggio coper , scatola settori
8	236	£ 0	1	Gasket for fuel filter casing	48	4837	£ 0	1	Morsetto fissaggio settore dentato
9	TS 598	£ 0	1	Box nut for fuel filter casing	49	A1408	£ 0	1	Vite fissaggio morsetto
10	1829	£ 0	1	Float Fulcrum Pin	50	1153	£ 0	4	Choke cover fixing screw
11	4790	£ 29.9	1	Guarnizione per coper, carburatore	51	3477	£ 0	2	Throttle Stop Screw
12	6998	£ 0	1	Pump Rod	52	7133	£ 0	2	Distanziale per vile registro farfalla
13	3500	£ 14.6	1	Pump Screen retainer	53	1173	£ 0	2	Molla per rate registro farfalla
14	2880	£ 0	1	Pump rod spring	54	864	£ 0	2	Idle mixture adjusting screw
15	1975	£ 0	1	Needle valve gasket	55	38	£ 0	2	Spring for idling adjusting screw
16	1660a	£ 0	1	Float valve	56	7007a	£ 0	1	Comando avviamento completo di:
17	6607a	£ 0	1	Float	57	7015a	£ 0	1	Leva comando tirantino completa dei particolari :
18	4843	£ 0	1	Emulsion tube holder air corrector	58	4103	£ 0	1	— Cold Start Nut
19	4844	£ 0	1	Starter Jet	59	7017a	£ 0	1	— Leva per boccola
20	2877a	£ 0	1	Pump plunger	60	4102	£ 0	1	— Screw securing wire
21	2948a	£ 0	1	Valve	61	133	£ 0	1	Split pin
22	TS 865	£ 0	2	Idling jet	62	7009	£ 0	1	— Rosetta piana
23	3456	£ 0	2	Pump Jet Cover O ring	63	7010a	£ 0	1	Coperchio con perno
24	3470	£ 0	2	Portagetto minimo	64	4935a	£ 0	1	Alberino comando valvola avv
25	2546	£ 0	2	Gasket	65	7008	£ 0	1	Choke Control Rod
26	TS 510	£ 0	2	Pump discharge screw	66	3473	£ 0	1	- Spring
27	2545	£ 41.9	2	Jet Holder	67	7013a	£ 0	1	— Leva di comando
28	7020	£ 0	1	Throttle Shaft Gear	68	6983	£ 0	1	— Spring washer
29	7001 a	£ 0	1	Alberino sinistro	69	335	£ 0	1	— Dado esagono
30	7166	£ 0	1	Molla ritorno alberino sinistro	70	5957	£ 0	1	Starter Valve
30	-	£ 0	1	Carburetor Body	71	5248	£ 0	1	Starter Valve Spring
31	915	£ 0	2	Throttle Valve	72	4841	£ 0	1	Spring guide and retainer
32	6999	£ 0	2	Vite ispezione fon di progressione	73	1520	£ 0	2	Pump Jet Gasket
33	7000	£ 0	1	Gamma comando pompe	74	4823	£ 0	1	Pump jet
34	7242	£ 0	1	Molla ritorno leva allentata	75	TS 991 a	£ 0	1	Valve
35	6512	£ 0	1	Leva allentata comando pompa	76	1311	£ 52.3	2	Air bleed jet
36	6584	£ 0	1	Rosetta per anello elastico	77	TS 534a	£ 0	2	Emulsion Tube
37	6525	£ 0	1	Anello elastico dentellato	78	3504a	£ 0	2	Choke
38	6527	£ 0	1	Rosetta per anello elastico	79	3495a	£ 0	2	Auxiliary venturi
39	4	£ 0	1	Rosetta distanziale per alberino sin.	80		£ 0	1	
40	7171	£ 0	1	Boccola per alberino destro					

<https://www.carbparts.eu>

Prices and product availability are subject to change

