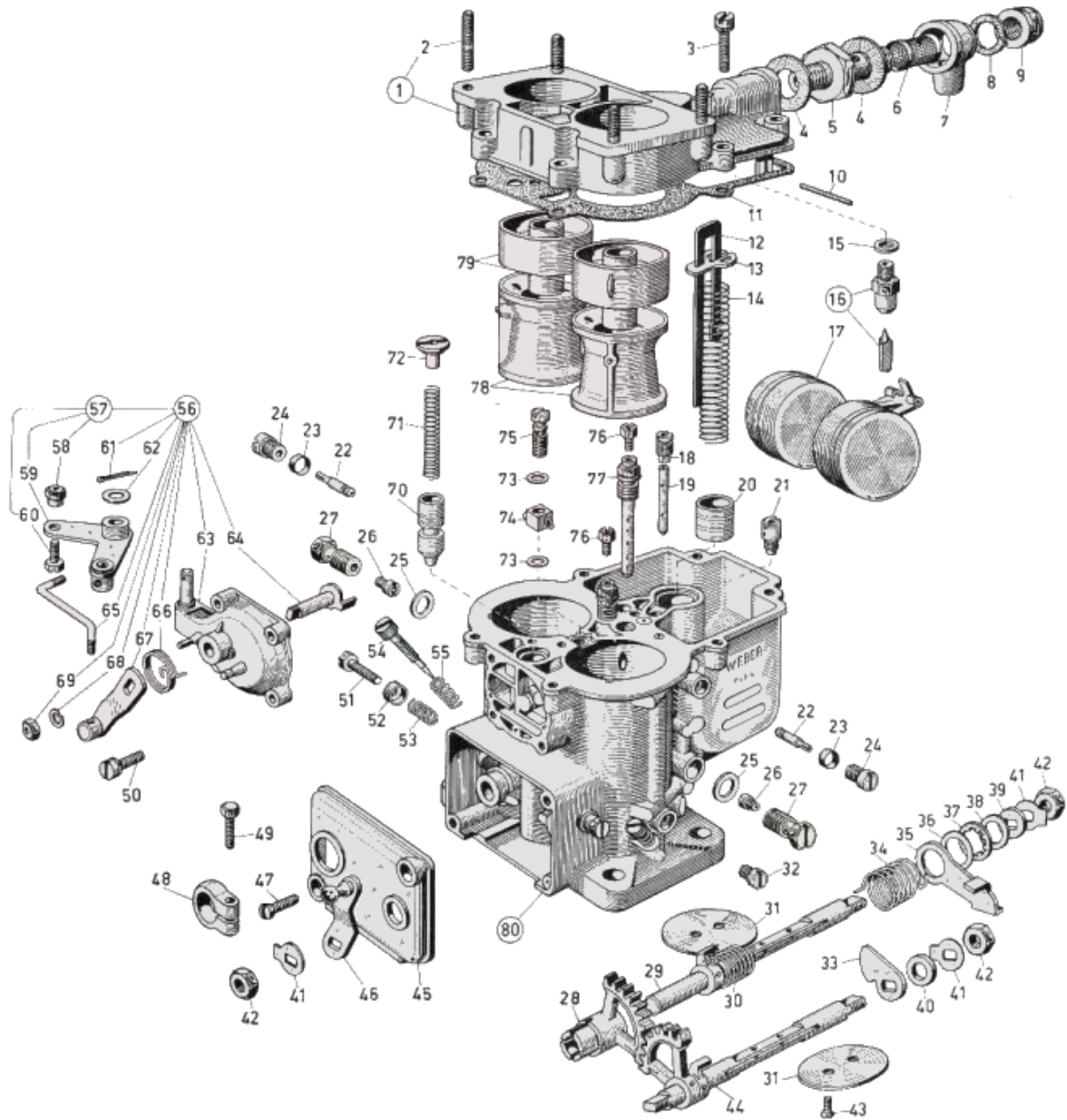




WEBER 36 DCS

Exploded view



<https://www.carbparts.eu>

Prices and product availability are subject to change



WEBER 36 DCS

List of parts



| No | Part No | Price | Pcs | Description |
|----|---------|---------|-----|---------------------------------------|
| 1 | 6994a | \$ 0 | 1 | Coperchio carburatore completo di : |
| 2 | G 228 | \$ 0 | 4 | — Stud bolt |
| 3 | 665 | \$ 0 | 6 | Top Cover Fixing Screw |
| 4 | 235 | \$ 0 | 2 | Gasket for connection |
| 5 | TS 597 | \$ 0 | 1 | Connection for fuel filter casing |
| 6 | 241a | \$ 0 | 1 | Strainer |
| 7 | F 23 | \$ 0 | 1 | Fuel Union |
| 8 | 236 | \$ 0 | 1 | Gasket for fuel filter casing |
| 9 | TS 598 | \$ 0 | 1 | Box nut for fuel filter casing |
| 10 | 1829 | \$ 0 | 1 | Float Fulcrum Pin |
| 11 | 4790 | \$ 38 | 1 | Guarnizione per coper, carburatore |
| 12 | 6998 | \$ 0 | 1 | Pump Rod |
| 13 | 3500 | \$ 18.5 | 1 | Pump Screen retainer |
| 14 | 2880 | \$ 0 | 1 | Pump rod spring |
| 15 | 1975 | \$ 0 | 1 | Needle valve gasket |
| 16 | 1660a | \$ 0 | 1 | Float valve |
| 17 | 6607a | \$ 0 | 1 | Float |
| 18 | 4843 | \$ 0 | 1 | Emulsion tube holder air corrector |
| 19 | 4844 | \$ 0 | 1 | Starter Jet |
| 20 | 2877a | \$ 0 | 1 | Pump plunger |
| 21 | 2948a | \$ 0 | 1 | Valve |
| 22 | TS 865 | \$ 0 | 2 | Idling jet |
| 23 | 3456 | \$ 0 | 2 | Pump Jet Cover O ring |
| 24 | 3470 | \$ 0 | 2 | Portagetto minimo |
| 25 | 2546 | \$ 0 | 2 | Gasket |
| 26 | TS 510 | \$ 0 | 2 | Pump discharge screw |
| 27 | 2545 | \$ 53.2 | 2 | Jet Holder |
| 28 | 7020 | \$ 0 | 1 | Throttle Shaft Gear |
| 29 | 7001 a | \$ 0 | 1 | Alberino sinistro |
| 30 | 7166 | \$ 0 | 1 | Molla ritorno alberino sinistro |
| 30 | - | \$ 0 | 1 | Carburetor Body |
| 31 | 915 | \$ 0 | 2 | Throttle Valve |
| 32 | 6999 | \$ 0 | 2 | Vite ispezione fon di progressione |
| 33 | 7000 | \$ 0 | 1 | Gamma comando pompe |
| 34 | 7242 | \$ 0 | 1 | Molla ritorno leva allentata |
| 35 | 6512 | \$ 0 | 1 | Leva allentata comando pompa |
| 36 | 6584 | \$ 0 | 1 | Rosetta per anello elastico |
| 37 | 6525 | \$ 0 | 1 | Anello elastico dentellato |
| 38 | 6527 | \$ 0 | 1 | Rosetta per anello elastico |
| 39 | 4 | \$ 0 | 1 | Rosetta distanziale per alberino sin. |
| 40 | 7171 | \$ 0 | 1 | Boccola per alberino destro |

| No | Part No | Price | Pcs | Description |
|----|----------|---------|-----|---|
| 41 | 6371 | \$ 0 | 3 | Throttle Shaft Lock Washer |
| 42 | 865 | \$ 0 | 3 | Fixing nut |
| 43 | 767 | \$ 0 | 4 | — Throttles fixing screw |
| 44 | 7003a | \$ 0 | 1 | Throttle Shaft |
| 45 | 4821 | \$ 0 | 1 | Coperchio scatola settore dentati |
| 46 | 7005a | \$ 0 | 1 | Throttle Valve Control Lever |
| 47 | 2288 | \$ 0 | 2 | Vite fissaggio coper, scatola settori |
| 48 | 4837 | \$ 0 | 1 | Morsetto fissaggio settore dentato |
| 49 | A1408 | \$ 0 | 1 | Vite fissaggio morsetto |
| 50 | 1153 | \$ 0 | 4 | Choke cover fixing screw |
| 51 | 3477 | \$ 0 | 2 | Throttle Stop Screw |
| 52 | 7133 | \$ 0 | 2 | Distanziale per vile registro farfalla |
| 53 | 1173 | \$ 0 | 2 | Molla per rate registro farfalla |
| 54 | 864 | \$ 0 | 2 | Idle mixture adjusting screw |
| 55 | 38 | \$ 0 | 2 | Spring for idling adjusting screw |
| 56 | 7007a | \$ 0 | 1 | Comando avviamento completo di: |
| 57 | 7015a | \$ 0 | 1 | Leva comando tirantino completa dei particolari : |
| 58 | 4103 | \$ 0 | 1 | — Cold Start Nut |
| 59 | 7017a | \$ 0 | 1 | — Leva per boccola |
| 60 | 4102 | \$ 0 | 1 | — Screw securing wire |
| 61 | 133 | \$ 0 | 1 | Split pin |
| 62 | 7009 | \$ 0 | 1 | — Rosetta piana |
| 63 | 7010a | \$ 0 | 1 | Coperchio con perno |
| 64 | 4935a | \$ 0 | 1 | Alberino comando valvola avv |
| 65 | 7008 | \$ 0 | 1 | Choke Control Rod |
| 66 | 3473 | \$ 0 | 1 | - Spring |
| 67 | 7013a | \$ 0 | 1 | — Leva di comando |
| 68 | 6983 | \$ 0 | 1 | — Spring washer |
| 69 | 335 | \$ 0 | 1 | — Dado esagono |
| 70 | 5957 | \$ 0 | 1 | Starter Valve |
| 71 | 5248 | \$ 0 | 1 | Starter Valve Spring |
| 72 | 4841 | \$ 0 | 1 | Spring guide and retainer |
| 73 | 1520 | \$ 0 | 2 | Pump Jet Gasket |
| 74 | 4823 | \$ 0 | 1 | Pump jet |
| 75 | TS 991 a | \$ 0 | 1 | Valve |
| 76 | 1311 | \$ 66.4 | 2 | Air bleed jet |
| 77 | TS 534a | \$ 0 | 2 | Emulsion Tube |
| 78 | 3504a | \$ 0 | 2 | Choke |
| 79 | 3495a | \$ 0 | 2 | Auxiliary venturi |
| 80 | | \$ 0 | 1 | |

<https://www.carbparts.eu>

Prices and product availability are subject to change