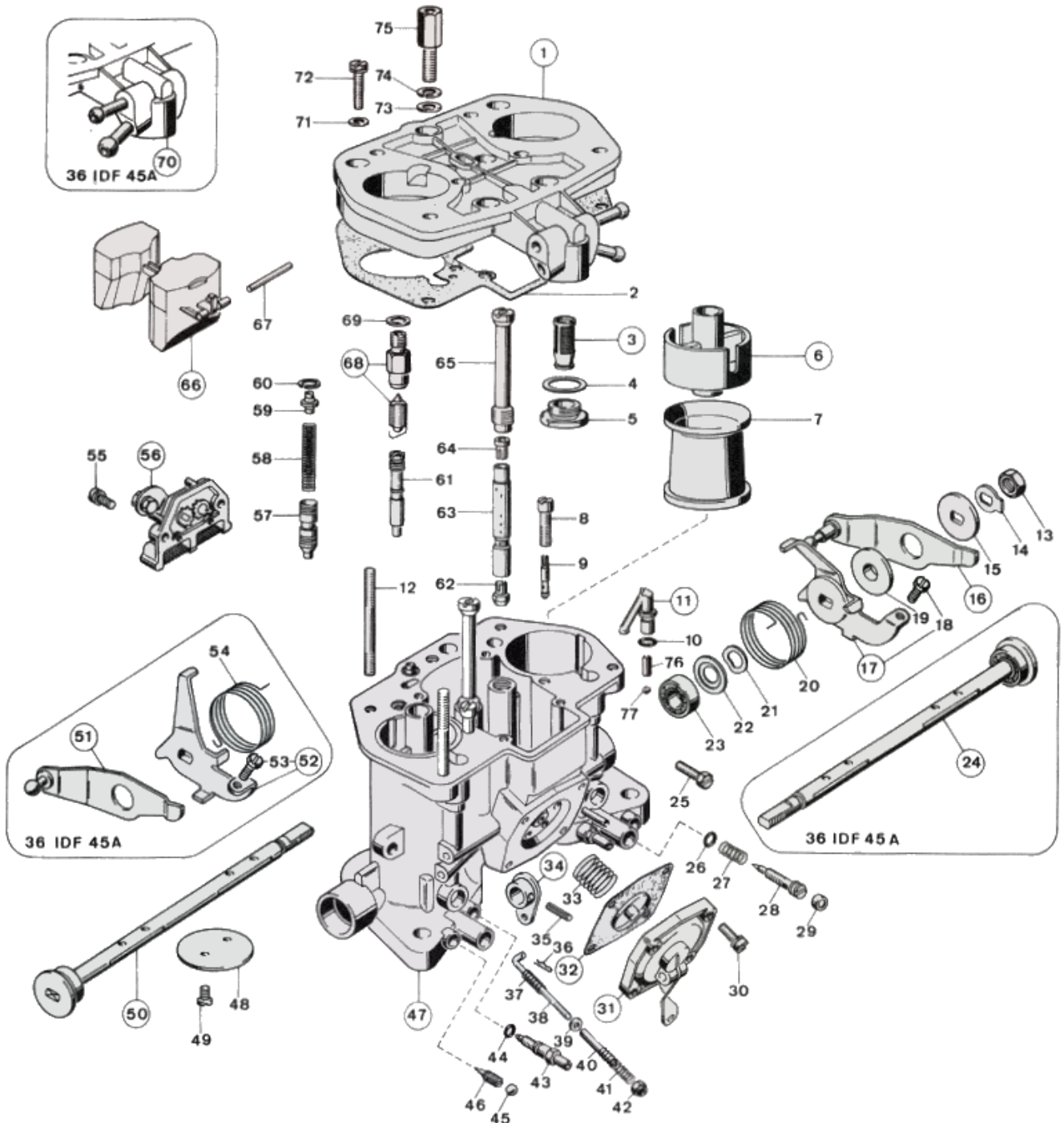




WEBER 36 IDF 44/45 - exploded view



<https://www.carbparts.eu>

Prices and product availability are subject to change



CarbDeal
Selling carburetor parts since 2005



WEBER 36 IDF 44/45 - Parts list

No	Part No	Price	Pcs	Description	No	Part No	Price	Pcs	Description
1	31716.406	£ 0	1	Carburetor cover Assy, including:	40	12750.126	£ 0	1	Boccola per molla prolungamento pompata
2	41705.061	£ 4.8	1	Top Cover Gasket	41	47600.251	£ 11.2	1	Pump rod spring
3	37022.002	£ 3.2	1	Filter element	42	34725.008	£ 0	1	Fixing nut
4	41530.024	£ 0.2	1	Fuel Filter Gasket	43	10580.003	£ 0	2	Attacco tubazione vuotometro
5	61002.010	£ 5.4	1	Fuel Filter Cover	44	41565.008	£ 0.7	2	O ring
6	69002.450	£ 49.8	2	Auxiliary Venturi	45	58310.008	£ 0	2	Ball plug
7	71523.300	£ 0	2	Choke tube	46	64595.012	£ 0	2	Air by-pass screw
8	52570.004	£ 5.8	2	Idle Jet Holder	47	-	£ 0	1	Carburetor Body
9	74405.052	£ 0	2	Idle Jet	48	64005.119	£ 19.9	2	Throttle Valve
10	41565.001	£ 0	2	Pump Jet 'O' Ring	49	64520.045	£ 0	4	Throttle Plate Screw
11	82401.033	£ 0	2	Pump jet	50	10020.236	£ 0	1	Throttle Shaft
12	64995.109	£ 0	2	Stud	51	45069.061	£ 0	1	Loose Lever
13	34710.003	£ 0.9	1	Throttle Spindle Nut	52	45048.093	£ 0	1	Balance lever including:
14	55520.004	£ 0.9	1	Throttle Shaft Lock Washer	53	64625.009	£ 0	1	— Throttles adjusting screw
15	55555.025	£ 0	1	Washer For Shaft	54	47610.035	£ 5.4	1	Throttle Return Spring
16	45069.060	£ 0	1	Loose Lever	55	64700.006	£ 0	2	Pump Cover Screw
17	45048.090	£ 0	1	Balance lever including:	56	32556.042	£ 67.6	1	Cold Start Unit
18	64625.009	£ 0	1	Throttles adjusting screw	56	32556.043	£ 67.6	1	Cold Start Unit
19	12765.153	£ 0	1	Spacer Bushing	57	64330.009	£ 5.1	2	Starter Valve
20	47610.150	£ 0	1	Lever return spring	58	47600.133	£ 2.5	2	Starter Valve Spring
21	55530.005	£ 3.2	1	Spring Ring	59	12775.024	£ 2.5	2	Spring guide and retainer
22	58000.015	£ 7	1	Spring Retaining Cover	60	10140.002	£ 2.5	2	Spring Clip
23	32650.001	£ 2.8	1	Throttle Shaft Bearing	61	75607.090	£ 10.1	2	Starter Jet
24	10020.236	£ 0	1	Throttle Shaft	62	73401.135	£ 2	2	Main Jet
25	64625.025	£ 0	1	Throttle Stop Screw	63	61450.036	£ 14.5	2	Emulsion Tube
26	41565.015	£ 0	2	Idle Mixture Screw O Ring	64	77401.220	£ 4.9	2	Air bleed jet
27	47600.007	£ 1.9	2	Idle Mixture Screw Spring	65	52580.006	£ 6.2	2	Emulsifying tube holder
28	64750.058	£ 4.3	2	Idle Mixture Screw	66	41030.008	£ 6.9	1	Float
29	61075.026	£ 0	2	Idle mixture tamper proof plug	67	52000.001	£ 1.4	1	Float pin
30	64700.006	£ 0	4	Pump Cover Screw	68	79511.175	£ 6.4	1	Float valve
31	32486.085	£ 0	1	Accelerator Pump Cover	69	83102.070	£ 1.4	1	Gasket for Needle Valve
32	47407.207	£ 6.5	1	Pump diaphragm	70	31716.407	£ 0	1	Carburetor Top Cover (36 IDF 45A)
33	47600.250	£ 4.3	1	Pump Spring	71	55510.034	£ 0.4	4	Spring Washer
34	45027.139	£ 0	1	Pump Cam	72	64700.005	£ 0.4	4	Top Cover Fixing Screw
35	58445.001	£ 0.4	1	Fixing Pin	73	55510.095	£ 0	1	Lock Washer
36	32610.003	£ 1.2	1	Spilt pin	74	55525.002	£ 0	1	Spring Washer
37	47600.252	£ 0	1	Compression Spring	75	64880.008	£ 0	1	Vite speciale fissaggio coperchio carburatore
38	61285.042	£ 0	1	Pump Rod	76	52730.001	£ 2.8	2	Pump Valve Weight
39	55510.019	£ 1	1	Spring Washer	77	58300.003	£ 1.8	2	Pump Demand Valve Ball

<https://www.carbparts.eu>

Prices and product availability are subject to change

