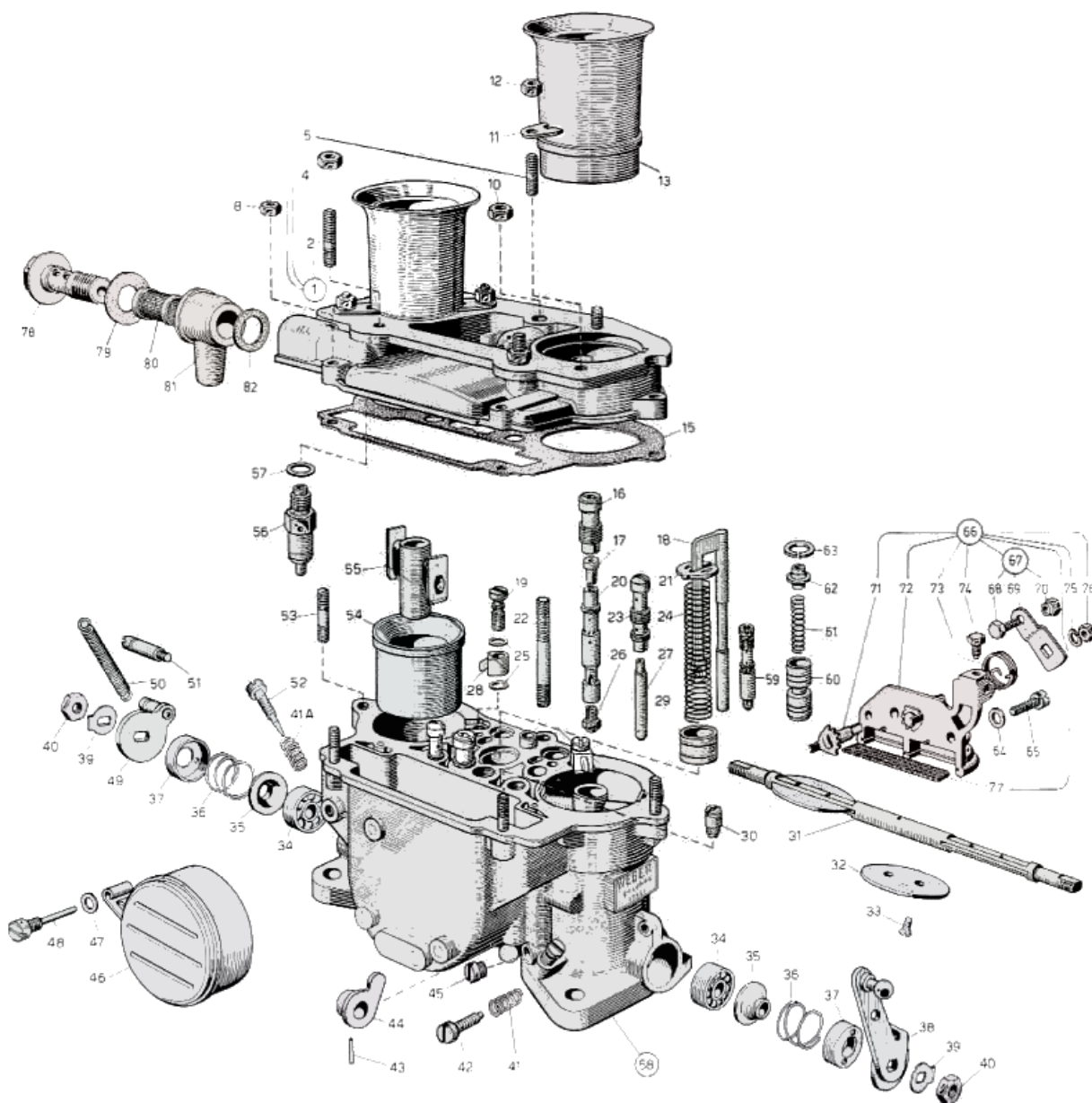




# WEBER 38 DCNL 5

## Exploded view



<https://www.carbparts.eu>

Los precios y la disponibilidad de los productos están sujetos a cambios



# WEBER 38 DCNL 5

## Lista de partes



No	Parte No	Precio	Pcs	Descripción
1	31716.047	-	1	Carburetor cover Assy, including:
2	64955.104	-	2	Stud
4	34725.004	-	2	— Air Horn Fixing Tab Nut
5	64955.009	\$ 5.2	4	Stud
8	34725.003	-	4	Throttle Spindle Nut
10	34725.004	-	1	Throttle Spindle Nut
11	52150.013	\$ 1.3	4	Air Horn Fixing Tab
12	34725.003	-	4	Throttle Spindle Nut
13	52840.028	\$ 36.4	2	Air intake horn
15	41705.018	-	1	Top Cover Gasket
16	52580.001	\$ 6.9	2	Emulsion Tube Holder
17	41365.001	\$ 2.9	2	Air corrector
18	10410.017	-	1	Pump Rod
19	64290.003	\$ 29.1	2	Valve
20	61450.031	\$ 10.1	2	Emulsion tube
21	52140.007	\$ 7.2	1	Plunger Spring Retaining Plate
22	64955.109	-	1	Stud bolt
23	52585.008	\$ 12.2	2	Idle jet holder
24	47600.103	\$ 2.4	1	Pump rod spring
25	41530.012	-	4	Pump jet gasket
26	41110.001	\$ 2.9	2	Main jet
27	41165.252	-	2	Idle jet
28	41252.009	-	2	Pump jet
29	58602.012	-	1	Pump plunger
30	64290.001	\$ 10.2	1	Back bleed valve
31	10005.401	\$ 36.4	1	Throttle Shaft
32	64005.050	-	2	Butter Fly
33	64570.006	\$ 3.1	4	Throttle Plate Screw
34	32650.001	\$ 4.9	2	Throttle Shaft Bearing
35	41570.001	\$ 1.1	2	Dust Cover
36	47600.063	\$ 2.2	2	Spring
37	58000.007	\$ 3.1	2	Retaining Cover
38	45034.053	-	1	Throttles control lever
39	55520.004	\$ 1.1	2	Throttle Shaft Lock Washer
40	34710.003	\$ 1.1	2	Throttle Spindle Nut
41	47600.007	\$ 2.6	1	Throttle Stop Screw Spring
41A	47600.007	\$ 2.6	2	Idle Mixture Screw Spring
42	64590.002	\$ 2.2	1	Throttle Stop Screw
43	58445.001	-	1	Fixing Pin

No	Parte No	Precio	Pcs	Descripción
44	45082.013	-	1	Pump Cam
45	61015.001	\$ 7.5	2	Plug
46	41015.008	-	1	Float
47	41530.017	-	1	O' ring
48	64900.010	-	1	Float Pin
49	45027.040	-	1	Lever
50	47605.018	-	1	Throttle Return Spring
51	52010.036	-	1	Pin
52	64750.001	\$ 3.8	2	Idle Mixture Screw
53	64955.012	-	4	Stud
54	34914.016	-	2	Choke tube
55	319S6.002	-	2	Auxiliary venturi
56	64240.005	\$ 20.9	1	Float needle valve
57	41530.032	-	1	Gasket for needle valve seat
58	-	-	1	Carburetor Body
59	41205.101	\$ 12.4	2	Starter Jet
60	64330.003	\$ 8.7	2	Starter valve
61	47600.005	\$ 2.2	2	Starter Valve Spring
62	12775.004	\$ 4.4	2	Spring guide and retainer
63	10140.010	\$ 3.6	2	Clip
64	55510.038	-	2	Flat Washer
65	64700.004	\$ 3	2	Pump Cover Screw
66	32556.005	-	1	— Cold Start Unit
67	45027.039	-	1	— Cold Start Lever
68	64800.002	\$ 7.6	1	— Screw securing wire
69	45025.043	-	1	Choke Lever
70	34720.002	\$ 6.7	1	— Cold Start Nut
71	10085.009	-	1	Choke Control Shaft
72	32556.006	-	1	— Cold Start Unit
73	47610.042	\$ 9.4	1	- Spring
74	64605.017	\$ 1.7	1	— Choke Cable Clamp
75	55525.010	-	1	— Spring washer
76	34715.010	-	1	— Lever fixing nut
77	37000.016	\$ 5.6	1	— Filter Screen
78	12715.003	-	1	Fuel Union Bolt
79	41530.004	-	1	Gasket
80	37022.001	\$ 23.1	1	Fuel Filter
81	10354.006	\$ 21.5	1	Fuel Union
82	41530.001	\$ 2	1	Gasket

<https://www.carbparts.eu>

Los precios y la disponibilidad de los productos están sujetos a cambios