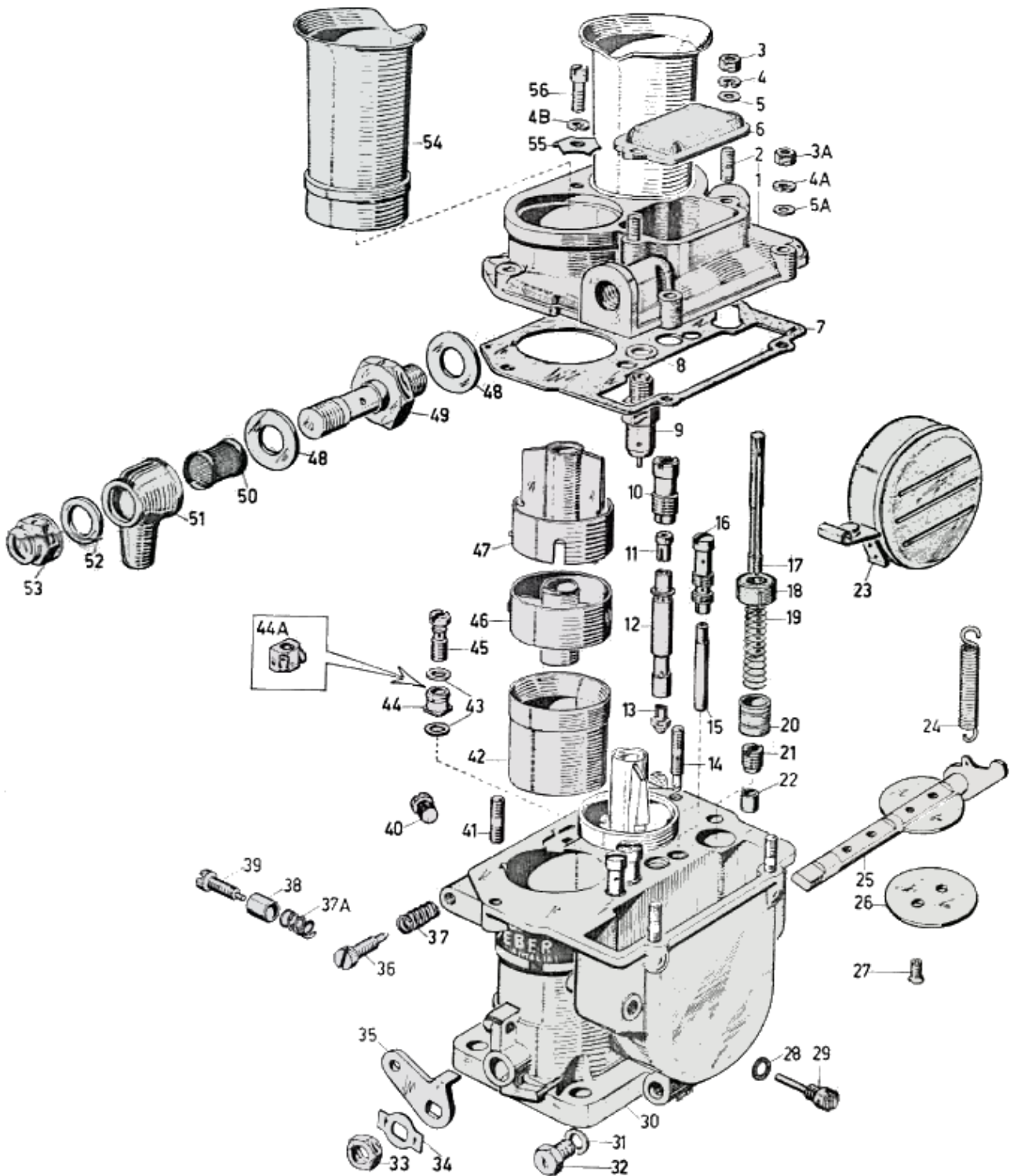




## WEBER 38 DCN - exploded view



<https://www.carbparts.eu>

Prices and product availability are subject to change



**CarbDeal**  
Selling carburetor parts since 2005



## WEBER 38 DCN - Parts list

No	Part No	Price	Pcs	Description	No	Part No	Price	Pcs	Description
1	31716.014	€ 0	1	Carburetor Top Cover	27	64570.009	€ 0.7	4	Throttle Plate Screw
2	64955.009	€ 4.5	2	Stud	28	41540.016	€ 0	1	Gasket
3	34705.001	€ 0.8	2	Nut	29	64900.003	€ 0	1	Float Pin
3a	34705.001	€ 0.8	4	Nut	30	Not Serviced	€ 0	1	Carburetor Body
4	55525.001	€ 0	2	Spring Washer	31	41535.008	€ 0	1	Washer
4b	55525.001	€ 0	1	Spring Washer	32	61002.006	€ 2.9	1	Plug
4a	55525.001	€ 0	4	Spring Washer	33	34715.015	€ 0	1	Fixing Nut
5	55510.034	€ 0.4	2	Carburetor Washer	34	55520.001	€ 1.5	1	Shaft Lock Tab
5a	55510.034	€ 0.4	4	Carburetor Washer	35	45032.032	€ 10	1	Lever
6	37012.005	€ 12.1	1	Jet Cover	36	64750.001	€ 2.5	2	Idle Mixture Screw
7	41705.006	€ 0	1	Top Cover Gasket	37a	47600.007	€ 2.2	1	Spring
8	41530.049	€ 0	1	Gasket	37	47600.007	€ 2.2	2	Spring
9	79406.175	€ 0	1	Needle & Seat	38	12785.004	€ 0	1	Sleeve
10	52580.001	€ 4.6	2	Emulsion Tube Hilder	39	64590.003	€ 5.8	1	Screw
11	77401	€ 4.3	2	Air Corrector Jet	40	61015.001	€ 9.3	2	Plug
12	61450.166	€ 6.7	2	Emulsion Tube	41	64955.029	€ 0	3	Stud
13	73401	€ 12.5	2	Main Jet	42	34914.003	€ 0	2	Main Venturi (Choke)
14	64970.001	€ 0	1	Stud	43	41540.014	€ 2.4	2	Pump Jet Gasket
15	41165.251	€ 0	2	Idle Jet	44a	41252.010	€ 0	1	Pump Jet 38 DCN 1
16	77903	€ 0	2	Idle Jet Holder	44	41260.002	€ 0	1	Pump Jet 35 DCN
17	10410.008	€ 0	1	Pump Rod	45	64290.005	€ 16.2	1	Valve
18	58000.005	€ 0	1	Collar	46	31876.005	€ 0	2	Auxiliary Venturi
19	47600.034	€ 4.6	1	Spring	47	52754.005	€ 0	2	Auxiliary Venturi Extension
20	58602.001	€ 0	1	Plunger 38 DCN	48	41530.004	€ 0	2	Gasket
20	58602.007	€ 0	1	Plunger 38 DCN 1	49	10602.001	€ 0	1	Fuel Banjo Bolt
21	64290.002	€ 0	1	Valve	50	37022.001	€ 19.9	1	Fuel Filter
22	12750.050	€ 0	1	38 DCN 1	51	10354.006	€ 18.4	1	Fuel Union
22	12750.051	€ 0	1	38 DCN	52	41530.001	€ 1.7	1	Gasket
23	41015.003	€ 0	1	Float	53	34750.001	€ 0	1	Banjo Cap Nut
24	47605.009	€ 1.6	1	Throttle Return Spring	54	52840.010	€ 0	2	Air Horn
25	10020.401	€ 5.8	1	Throttle Shaft	55	52150.010	€ 4.4	1	Air Horn Tab
26	64005.050	€ 0	2	Butter Fly	56	64535.001	€ 7.9	1	Air horn Tab screw

<https://www.carbparts.eu>

Prices and product availability are subject to change

