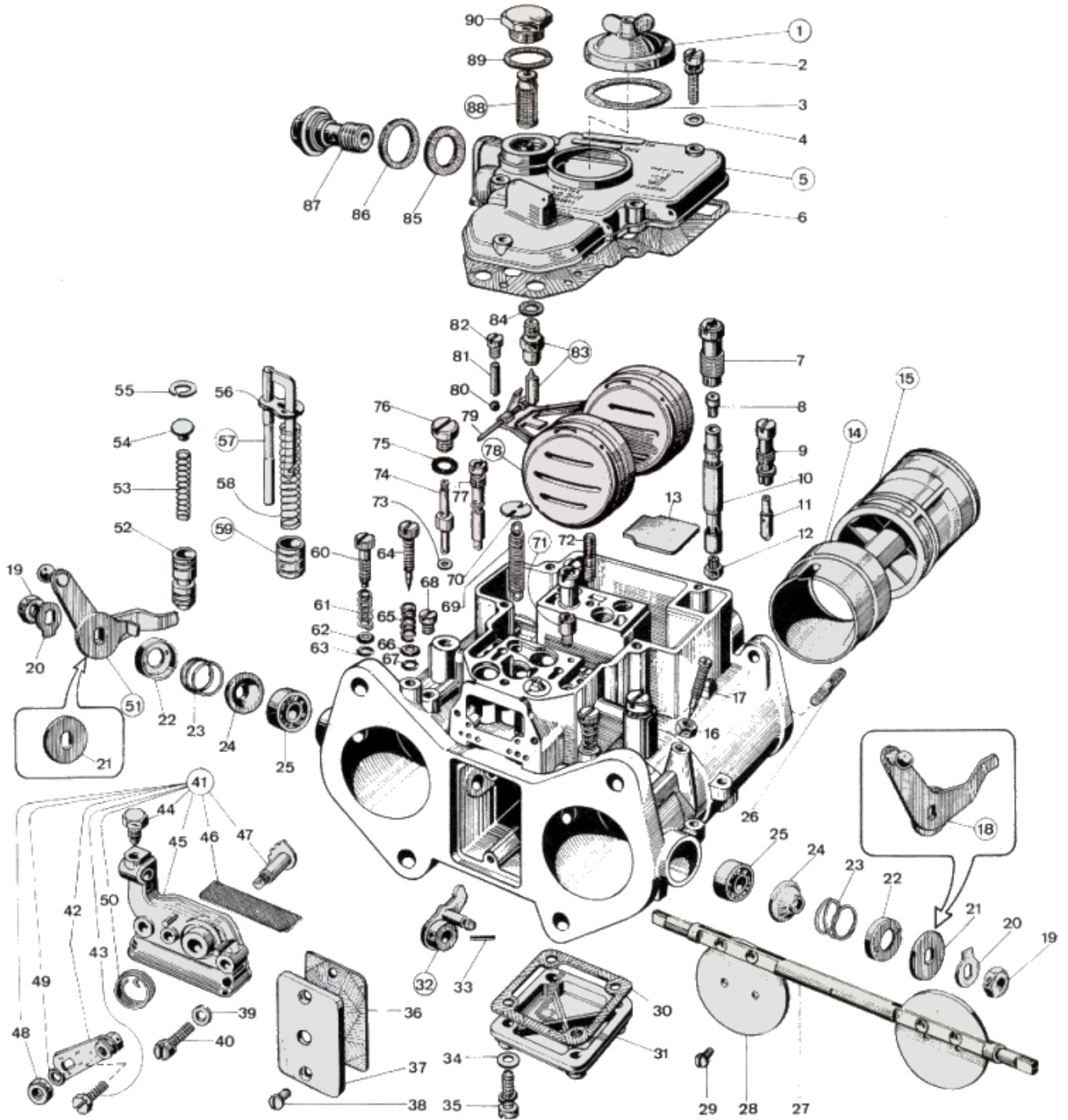




WEBER 38 DCOE 59/60 - exploded view



<https://www.carbparts.eu>

Prices and product availability are subject to change



CarbDeal
Selling carburetor parts since 2005



WEBER 38 DCOE 59/60 - Parts list

No	Part No	Price	Pcs	Description	No	Part No	Price	Pcs	Description
0	-	€ 0	1	Carburetor Body	45	32554.003	€ 0	1	Cold start unit
1	32376.003	€ 7.9	1	Jet inspection cover	46	37000.016	€ 3.8	1	Filter Screen
2	64700.001	€ 0.5	5	Top cover fixing screw	47	10085.009	€ 0	1	Choke Control Shaft
3	41550.002	€ 2.5	1	Jet inspection cover gasket	48	34715.010	€ 0	1	— Lever fixing nut
4	55510.034	€ 0.4	5	Spring Washer	49	55525.010	€ 0.4	1	— Spring washer
5	31734.070	€ 0	1	Carburetor top cover	50	47610.042	€ 6.3	1	- Spring
5	31734.071	€ 0	1	Carburetor top cover	51	45034.093	€ 0	1	Throttle Valve Control Lever
6	41715.007	€ 0	1	Carburetor Cover Gasket	52	64330.003	€ 5.8	2	Starter valve
7	52580.001	€ 4.6	2	Emulsion Tube Holder	53	47600.005	€ 2.9	2	Starter Valve Spring
8	41365.001	€ 4.3	2	Air corrector	54	12775.059	€ 0	2	Spring guide and retainer
9	52585.006	€ 5.4	2	Idle Jet Holder	55	10140.010	€ 3.1	2	Circlip
10	61450.033	€ 0	2	Emulsion Tube	56	52140.004	€ 2.6	1	Pump Screen retainer
11	41165.058	€ 0	2	Idle Jet	57	10410.024	€ 5.8	1	Pump control rod
12	41110.001	€ 12.5	2	Main jet	58	47600.055	€ 4.6	1	Pump spring
13	52130.003	€ 1.7	1	Plate	59	58602.003	€ 7.3	1	Pump plunger
14	34926.002	€ 36.7	2	Choke tube	60	64585.005	€ 0	1	Throttle stop screw
15	31906.006	€ 0	2	Auxiliary venturi	61	47600.007	€ 2.2	1	Throttle Stop Screw Spring
16	34705.001	€ 0.8	2	By-pass screw lock nut	62	58000.006	€ 1.8	1	Throttle Stop Screw O Ring Cap
17	64750.002	€ 6.3	2	Air by-pass screw	63	41565.002	€ 0.4	1	Throttle Stop Screw 'O' Ring
18	45034.094	€ 0	1	Throttle Lever	64	64750.023	€ 5	2	Idle mixture adjusting screw
19	34710.003	€ 1	2	Throttle Shaft Nut	65	47600.007	€ 2.2	2	Idle Mixture Screw Spring
20	55520.004	€ 1	2	Shaft Lock Tab	66	58000.006	€ 1.8	2	Idle Mixture Screw Cup Washer
21	55555.010	€ 1.7	1	Washer For Shaft	67	41565.002	€ 0.4	2	Idle Mixture Screw 'O' Ring
21	55555.010	€ 1.7	1	Washer For Shaft	68	61015.002	€ 5	2	Progression Hole Plug
22	58000.007	€ 2.7	2	Retaining Cover	69	47605.009	€ 1.6	1	Throttle Return Spring
23	47600.063	€ 1.8	2	Spring	70	52210.006	€ 1.5	1	Spring Anchor Plate
24	41570.001	€ 1	2	Leather Seal	71	64290.001	€ 6.6	1	Back bleed valve
25	32650.001	€ 3.3	2	Throttle Shaft Bearing	72	64955.007	€ 11.6	1	Inspection cover stud
26	64955.103	€ 0	2	Stud	73	41535.021	€ 1.1	2	Pump Jet Gasket
27	10005.401	€ 24.2	1	Throttle Shaft	74	41280.001	€ 4.7	2	Pump Jet
28	64005.047	€ 0	2	Throttle Valve	75	41565.009	€ 0.6	2	Pump Jet Cover O ring
29	64570.006	€ 2.1	4	Throttle Plate Screw	76	61015.008	€ 7.5	2	Pump jet cover
30	41640.001	€ 2.5	1	Bottom cover gasket	77	41205.101	€ 10	2	Starter Jet
31	32374.008	€ 11.7	1	Bottom Cover	78	41030.004	€ 33	1	Brass Float
32	45082.005	€ 13.9	1	Pump Cam	79	52000.001	€ 1.6	1	Float Fulcrum Pin
33	58445.001	€ 0.4	1	Fixing Pin	80	58300.001	€ 0.8	2	Pump Valve Ball
34	55510.034	€ 0.4	4	Washer	81	52730.001	€ 3.3	2	Pump Valve Weight
35	64700.001	€ 0.5	4	Fixing Screw	82	61015.006	€ 3.3	2	Pump Demand Valve Cover
36	41640.021	€ 0.8	1	Inspection cover gasket	83	64240.004	€ 7.9	1	Float valve
37	52135.024	€ 4.2	1	Inspection plate	84	41535.015	€ 0	1	Needle valve gasket
38	64570.009	€ 0.7	2	Inspection Cover Fixing Screw	85	41530.031	€ 0.3	1	Fuel Union Gasket
39	55510.038	€ 0	2	Flat Washer	86	41530.024	€ 0.3	1	Fuel Union Gasket
40	64700.004	€ 2	2	Choke cover fixing screw	87	12715.008	€ 7.5	1	Fuel Union Bolt
41	32556.023	€ 0	1	Cold Start Unit	88	37022.002	€ 3.7	1	Fuel Filter
42	45027.103	€ 0	1	— Cold Start Lever	89	41530.024	€ 0.3	1	Fuel Filter Gasket
43	64615.004	€ 0	1	- Screw securing wire	90	61002.010	€ 6.2	1	Fuel Filter Inspection Cover
44	64605.017	€ 1.8	1	Choke Cable Clamp					

<https://www.carbparts.eu>

Prices and product availability are subject to change

