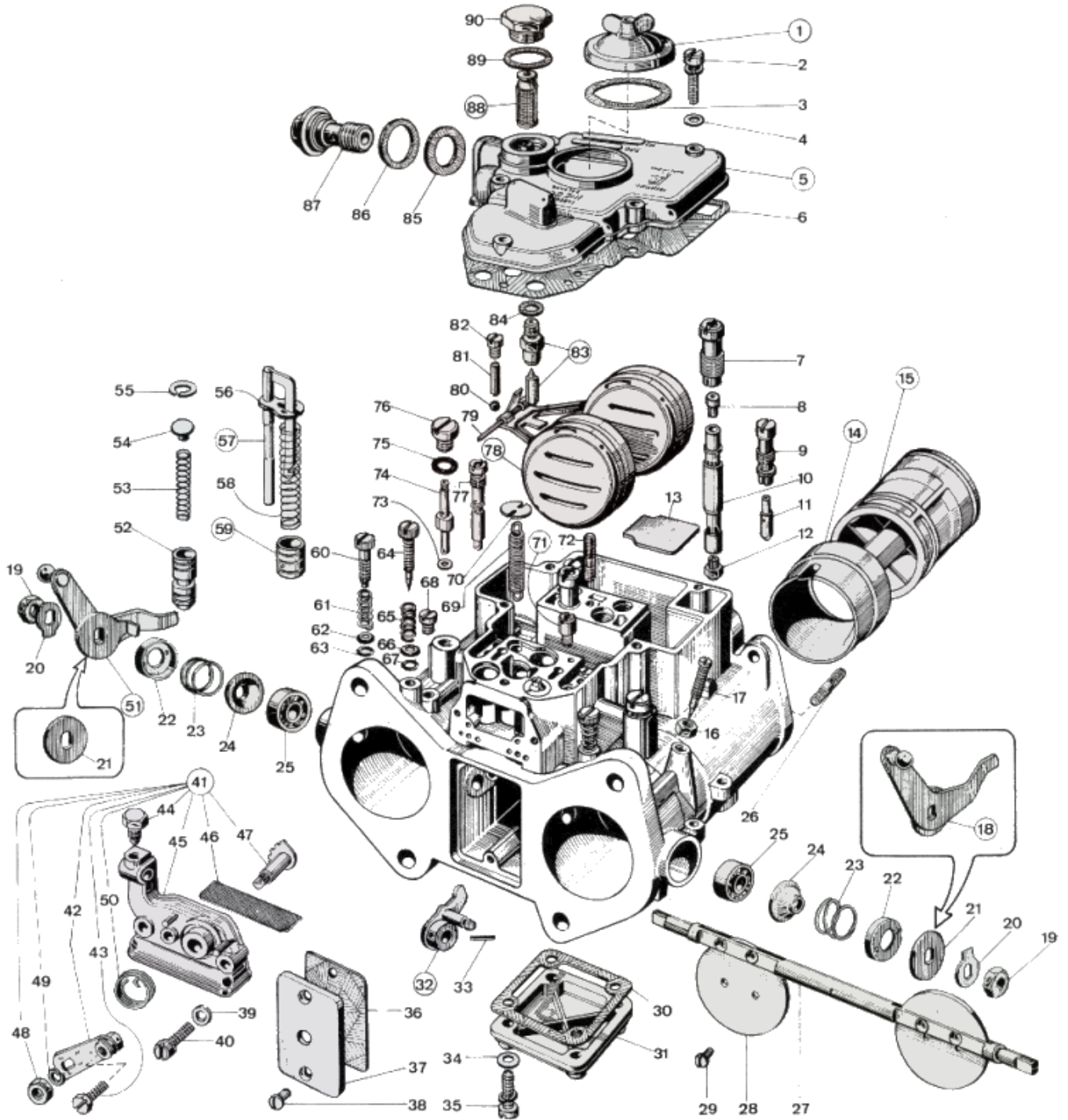




WEBER 38 DCOE 59/60 - exploded view



<https://www.carbparts.eu>

Prices and product availability are subject to change



CarbDeal
Selling carburetor parts since 2005



WEBER 38 DCOE 59/60 - Parts list

No	Part No	Price	Pcs	Description	No	Part No	Price	Pcs	Description
0	-	\$ 0	1	Carburetor Body	45	32554.003	\$ 0	1	Cold start unit
1	32376.003	\$ 9.5	1	Jet inspection cover	46	37000.016	\$ 4.5	1	Filter Screen
2	64700.001	\$ 0.6	5	Top cover fixing screw	47	10085.009	\$ 0	1	Choke Control Shaft
3	41550.002	\$ 3	1	Jet inspection cover gasket	48	34715.010	\$ 0	1	— Lever fixing nut
4	55510.034	\$ 0.5	5	Spring Washer	49	55525.010	\$ 0.5	1	— Spring washer
5	31734.070	\$ 0	1	Carburetor top cover	50	47610.042	\$ 7.5	1	- Spring
5	31734.071	\$ 0	1	Carburetor top cover	51	45034.093	\$ 0	1	Throttle Valve Control Lever
6	41715.007	\$ 0	1	Carburetor Cover Gasket	52	64330.003	\$ 7	2	Starter valve
7	52580.001	\$ 5.5	2	Emulsion Tube Holder	53	47600.005	\$ 3.5	2	Starter Valve Spring
8	41365.001	\$ 5.2	2	Air corrector	54	12775.059	\$ 0	2	Spring guide and retainer
9	52585.006	\$ 6.5	2	Idle Jet Holder	55	10140.010	\$ 3.7	2	Circlip
10	61450.033	\$ 0	2	Emulsion Tube	56	52140.004	\$ 3.1	1	Pump Screen retainer
11	41165.058	\$ 0	2	Idle Jet	57	10410.024	\$ 7	1	Pump control rod
12	41110.001	\$ 15	2	Main jet	58	47600.055	\$ 5.5	1	Pump spring
13	52130.003	\$ 2	1	Plate	59	58602.003	\$ 8.8	1	Pump plunger
14	34926.002	\$ 44	2	Choke tube	60	64585.005	\$ 0	1	Throttle stop screw
15	31906.006	\$ 0	2	Auxiliary venturi	61	47600.007	\$ 2.6	1	Throttle Stop Screw Spring
16	34705.001	\$ 0.9	2	By-pass screw lock nut	62	58000.006	\$ 2.2	1	Throttle Stop Screw O Ring Cap
17	64750.002	\$ 7.5	2	Air by-pass screw	63	41565.002	\$ 0.5	1	Throttle Stop Screw 'O' Ring
18	45034.094	\$ 0	1	Throttle Lever	64	64750.023	\$ 6	2	Idle mixture adjusting screw
19	34710.003	\$ 1.2	2	Throttle Shaft Nut	65	47600.007	\$ 2.6	2	Idle Mixture Screw Spring
20	55520.004	\$ 1.2	2	Shaft Lock Tab	66	58000.006	\$ 2.2	2	Idle Mixture Screw Cup Washer
21	55555.010	\$ 2	1	Washer For Shaft	67	41565.002	\$ 0.5	2	Idle Mixture Screw 'O' Ring
21	55555.010	\$ 2	1	Washer For Shaft	68	61015.002	\$ 6	2	Progression Hole Plug
22	58000.007	\$ 3.2	2	Retaining Cover	69	47605.009	\$ 1.9	1	Throttle Return Spring
23	47600.063	\$ 2.2	2	Spring	70	52210.006	\$ 1.8	1	Spring Anchor Plate
24	41570.001	\$ 1.2	2	Leather Seal	71	64290.001	\$ 7.9	1	Back bleed valve
25	32650.001	\$ 3.9	2	Throttle Shaft Bearing	72	64955.007	\$ 13.9	1	Inspection cover stud
26	64955.103	\$ 0	2	Stud	73	41535.021	\$ 1.3	2	Pump Jet Gasket
27	10005.401	\$ 29	1	Throttle Shaft	74	41280.001	\$ 5.6	2	Pump Jet
28	64005.047	\$ 0	2	Throttle Valve	75	41565.009	\$ 0.7	2	Pump Jet Cover O ring
29	64570.006	\$ 2.5	4	Throttle Plate Screw	76	61015.008	\$ 9	2	Pump jet cover
30	41640.001	\$ 3	1	Bottom cover gasket	77	41205.101	\$ 12	2	Starter Jet
31	32374.008	\$ 14	1	Bottom Cover	78	41030.004	\$ 39.5	1	Brass Float
32	45082.005	\$ 16.6	1	Pump Cam	79	52000.001	\$ 1.9	1	Float Fulcrum Pin
33	58445.001	\$ 0.5	1	Fixing Pin	80	58300.001	\$ 1	2	Pump Valve Ball
34	55510.034	\$ 0.5	4	Washer	81	52730.001	\$ 3.9	2	Pump Valve Weight
35	64700.001	\$ 0.6	4	Fixing Screw	82	61015.006	\$ 3.9	2	Pump Demand Valve Cover
36	41640.021	\$ 1	1	Inspection cover gasket	83	64240.004	\$ 9.5	1	Float valve
37	52135.024	\$ 5	1	Inspection plate	84	41535.015	\$ 0	1	Needle valve gasket
38	64570.009	\$ 0.8	2	Inspection Cover Fixing Screw	85	41530.031	\$ 0.3	1	Fuel Union Gasket
39	55510.038	\$ 0	2	Flat Washer	86	41530.024	\$ 0.3	1	Fuel Union Gasket
40	64700.004	\$ 2.4	2	Choke cover fixing screw	87	12715.008	\$ 9	1	Fuel Union Bolt
41	32556.023	\$ 0	1	Cold Start Unit	88	37022.002	\$ 4.4	1	Fuel Filter
42	45027.103	\$ 0	1	— Cold Start Lever	89	41530.024	\$ 0.3	1	Fuel Filter Gasket
43	64615.004	\$ 0	1	- Screw securing wire	90	61002.010	\$ 7.4	1	Fuel Filter Inspection Cover
44	64605.017	\$ 2.1	1	Choke Cable Clamp					

<https://www.carbparts.eu>

Prices and product availability are subject to change

