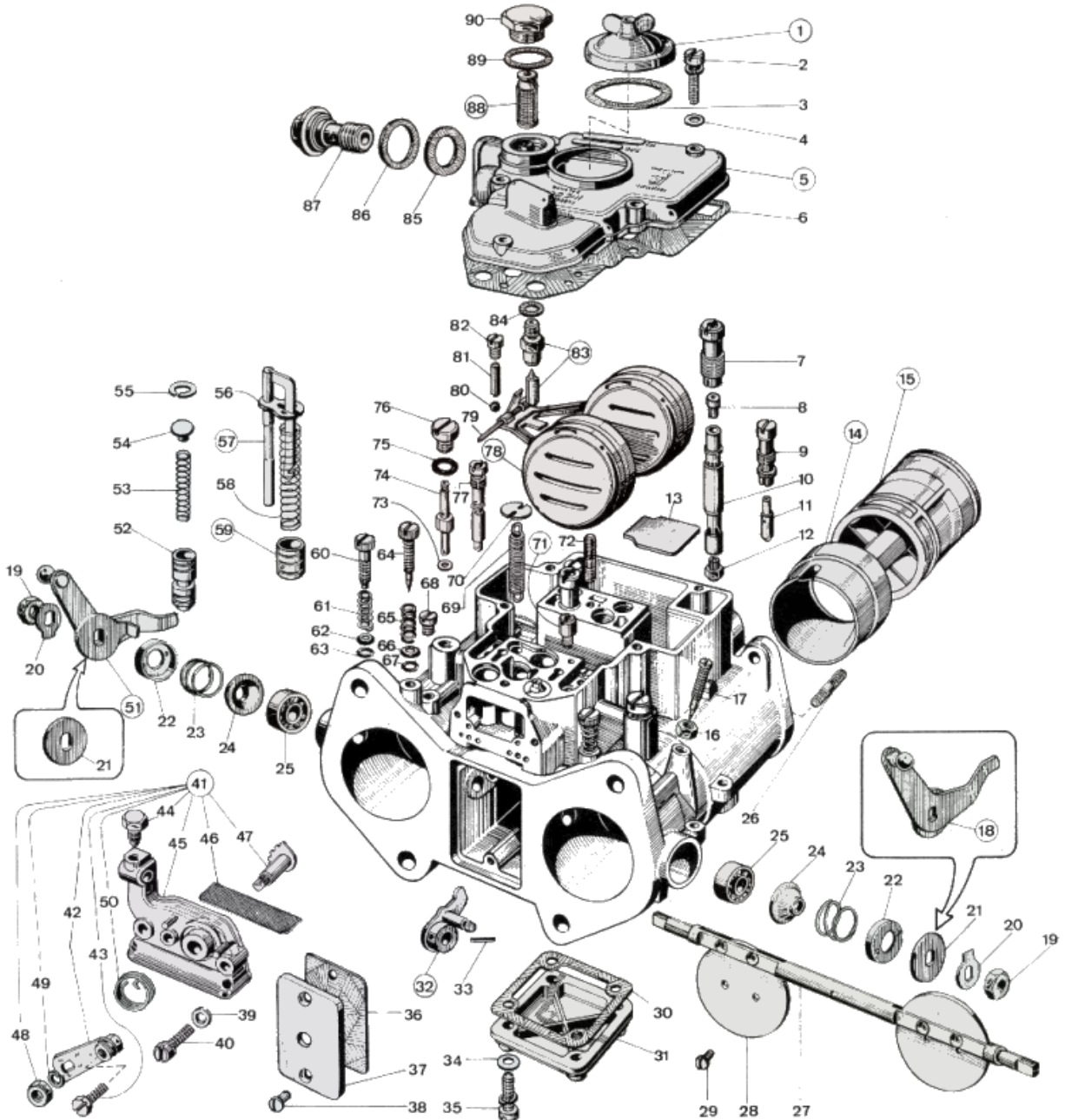




WEBER 38 DCOE 59/60

Exploded view



<https://www.carbparts.eu>

Prices and product availability are subject to change



WEBER 38 DCOE 59/60

List of parts



No	Part No	Price	Pcs	Description
0	-	\$ 0	1	Carburetor Body
1	32376.003	\$ 12	1	Jet inspection cover
2	64700.001	\$ 0.6	5	Top cover fixing screw
3	41550.002	\$ 1.1	1	Jet inspection cover gasket
4	55510.034	\$ 0.4	5	Spring Washer
5	31734.071	\$ 0	1	Carburetor top cover
5	31734.070	\$ 0	1	Carburetor top cover
6	41715.007	\$ 0	1	Carburetor Cover Gasket
7	52580.001	\$ 7.3	2	Emulsion Tube Holder
8	41365.001	\$ 2.9	2	Air corrector
9	52585.006	\$ 8.6	2	Idle Jet Holder
10	61450.033	\$ 0	2	Emulsion Tube
11	41165.058	\$ 3.3	2	Idle Jet
12	41110.001	\$ 2.9	2	Main jet
13	52130.003	\$ 2.6	1	Plate
14	34926.002	\$ 17.1	2	Choke tube
15	31906.006	\$ 0	2	Auxiliary venturi
16	34705.001	\$ 0.8	2	By-pass screw lock nut
17	64750.002	\$ 9.9	2	Air by-pass screw
18	45034.094	\$ 0	1	Throttle Lever
19	34710.003	\$ 1.1	2	Throttle Shaft Nut
20	55520.004	\$ 1.1	2	Shaft Lock Tab
21	55555.010	\$ 2.6	1	Washer For Shaft
21	55555.010	\$ 2.6	1	Washer For Shaft
22	58000.007	\$ 3	2	Retaining Cover
23	47600.063	\$ 2.1	2	Spring
24	41570.001	\$ 1.1	2	Leather Seal
25	32650.001	\$ 5.2	2	Throttle Shaft Bearing
26	64955.103	\$ 0	2	Stud
27	10005.401	\$ 38.3	1	Throttle Shaft
28	64005.047	\$ 0	2	Throttle Valve
29	64570.006	\$ 3.3	4	Throttle Plate Screw
30	41640.001	\$ 4	1	Bottom cover gasket
31	32374.008	\$ 18.7	1	Bottom Cover
32	45082.005	\$ 15.8	1	Pump Cam
33	58445.001	\$ 0.4	1	Fixing Pin
34	55510.034	\$ 0.4	4	Washer
35	64700.001	\$ 0.6	4	Fixing Screw
36	41640.021	\$ 1.3	1	Inspection cover gasket
37	52135.024	\$ 6.6	1	Inspection plate
38	64570.009	\$ 0.8	2	Inspection Cover Fixing Screw
39	55510.038	\$ 0	2	Flat Washer
40	64700.004	\$ 3.2	2	Choke cover fixing screw
41	32556.023	\$ 0	1	Cold Start Unit
42	45027.103	\$ 0	1	— Cold Start Lever
43	64615.004	\$ 0	1	- Screw securing wire
44	64605.017	\$ 2	1	Choke Cable Clamp

No	Part No	Price	Pcs	Description
45	32554.003	\$ 0	1	Cold start unit
46	37000.016	\$ 5.9	1	Filter Screen
47	10085.009	\$ 0	1	Choke Control Shaft
48	34715.010	\$ 0.7	1	— Lever fixing nut
49	55525.010	\$ 0.4	1	— Spring washer
50	47610.042	\$ 9.9	1	- Spring
51	45034.093	\$ 0	1	Throttle Valve Control Lever
52	64330.003	\$ 9.2	2	Starter valve
53	47600.005	\$ 2.1	2	Starter Valve Spring
54	12775.059	\$ 0	2	Spring guide and retainer
55	10140.010	\$ 3.5	2	Circlip
56	52140.004	\$ 3.8	1	Pump Screen retainer
57	10410.024	\$ 9.2	1	Pump control rod
58	47600.055	\$ 7.3	1	Pump spring
59	58602.003	\$ 9.9	1	Pump plunger
60	64585.005	\$ 0	1	Throttle stop screw
61	47600.007	\$ 2.5	1	Throttle Stop Screw Spring
62	58000.006	\$ 2.1	1	Throttle Stop Screw O Ring Cap
63	41565.002	\$ 0.4	1	Throttle Stop Screw 'O' Ring
64	64750.023	\$ 7.9	2	Idle mixture adjusting screw
65	47600.007	\$ 2.5	2	Idle Mixture Screw Spring
66	58000.006	\$ 2.1	2	Idle Mixture Screw Cup Washer
67	41565.002	\$ 0.4	2	Idle Mixture Screw 'O' Ring
68	61015.002	\$ 7.9	2	Progression Hole Plug
69	47605.009	\$ 2.5	1	Throttle Return Spring
70	52210.006	\$ 1.7	1	Spring Anchor Plate
71	64290.001	\$ 9.9	1	Back bleed valve
72	64955.007	\$ 12.8	1	Inspection cover stud
73	41535.021	\$ 1.3	2	Pump Jet Gasket
74	41280.001	\$ 5.5	2	Pump Jet
75	41565.009	\$ 0.7	2	Pump Jet Cover O ring
76	61015.008	\$ 11.9	2	Pump jet cover
77	41205.101	\$ 12	2	Starter Jet
78	41030.004	\$ 33	1	Brass Float
79	52000.001	\$ 2.5	1	Float Fulcrum Pin
80	58300.001	\$ 1.3	2	Pump Valve Ball
81	52730.001	\$ 5.2	2	Pump Valve Weight
82	61015.006	\$ 5.2	2	Pump Demand Valve Cover
83	64240.004	\$ 8.3	1	Float valve
84	41535.015	\$ 0.3	1	Needle valve gasket
85	41530.031	\$ 0.3	1	Fuel Union Gasket
86	41530.024	\$ 0.3	1	Fuel Union Gasket
87	12715.008	\$ 9	1	Fuel Union Bolt
88	37022.002	\$ 5.8	1	Fuel Filter
89	41530.024	\$ 0.3	1	Fuel Filter Gasket
90	61002.010	\$ 7	1	Fuel Filter Inspection Cover

<https://www.carbparts.eu>

Prices and product availability are subject to change