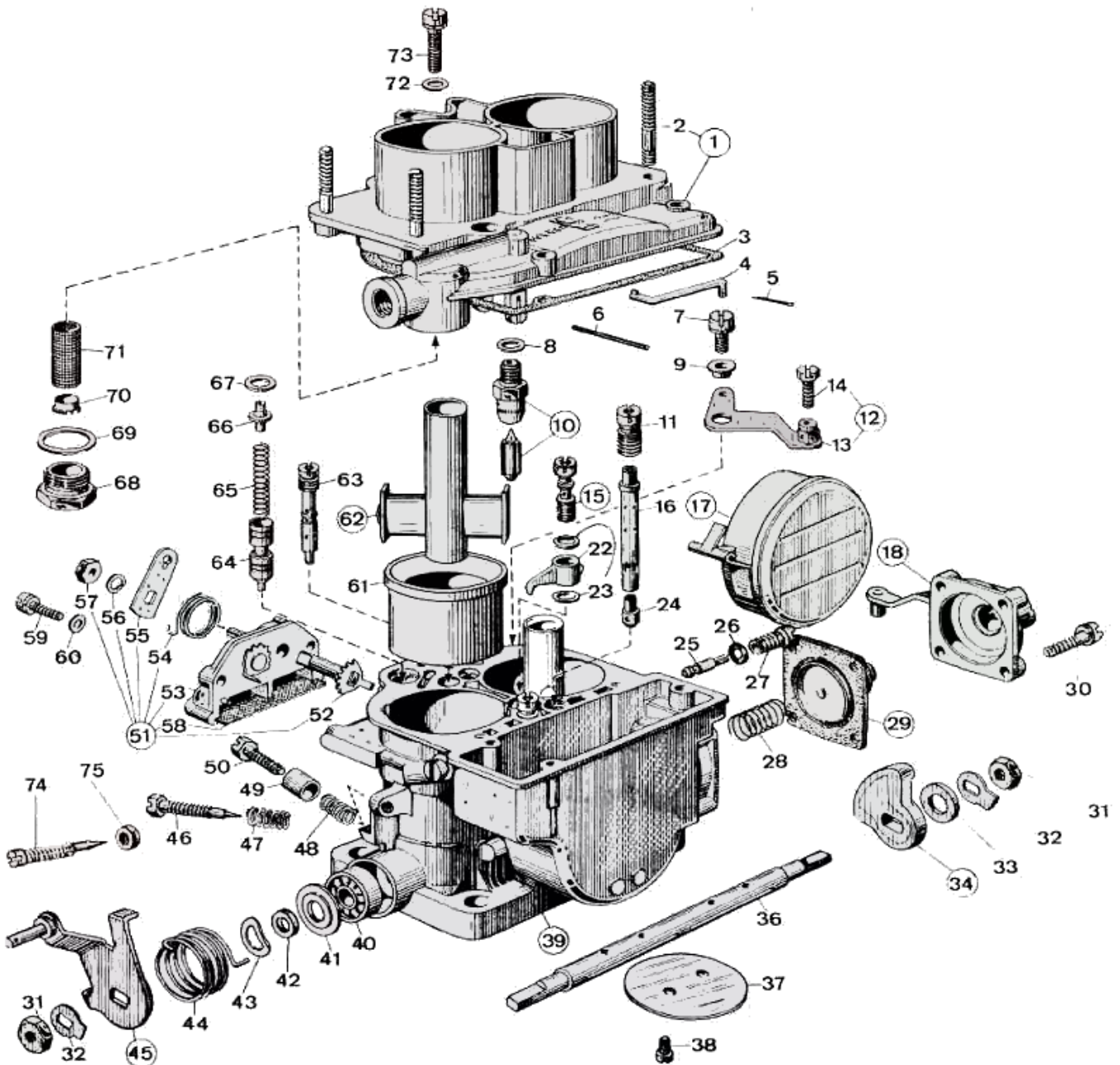




WEBER 40 DCNF - exploded view



<https://www.carbparts.eu>

Prices and product availability are subject to change



CarbDeal
Selling carburetor parts since 2005



WEBER 40 DCNF - Parts list

No	Part No	Price	Pcs	Description	No	Part No	Price	Pcs	Description
	92.0077.05	€ 0	1	Gasket Kit- 4 Bolt Top	39		€ 0	1	Carburetor Body
	92.1637.05	€ 0	1	Repair Kit- 5 Bolt Top	40	32650.001	€ 3.3	2	Roller Bearing
	92.1094.05	€ 0	1	Repair Kit- 4 Bolt Top	41	58000.017	€ 0	2	Bearing Cover
	92.0120.05	€ 0	1	Gasket Kit- 5 Bolt Top	42	12750.053	€ 0	2	Spacer Bush
1	31716.082	€ 0	1	Carburetor Top Cover	43	55530.010	€ 0	2	O ring
2	64955.007	€ 11.6	4	Stud	44	47610.078	€ 5.7	1	Throttle Return Spring
3	41705.029	€ 8.2	1	Top Cover Gasket	45	45041.049	€ 52.1	1	Throttle control Lever
4	61280.056	€ 0	1	Choke Control Rod	46	64755.007	€ 7.6	2	Idle Mixture Screw
5	32610.006	€ 0	1	Split Pin	47	47600.007	€ 2.2	2	Idle Mixture Screw Spring
6	52000.010	€ 1.8	1	Float Spindle	48	47600.007	€ 2.2	2	Throttle Stop Screw Ring
7	64700.012	€ 2.8	1	Screw	49	12785.013	€ 0	1	Throttle Stop Screw Spacer
8	41535.015	€ 0	1	Needle Valve O Ring	50	64625.014	€ 0	1	Throttle Stop Screw
9	12775.010	€ 8.7	1	Bush	51	32556.017	€ 63.8	1	Starter Cover
10	79514.175	€ 7.9	1	Needle Valve	52	10085.009	€ 0	1	Choke Control Shaft
11	77501.220	€ 5	2	Air Corrector Jet	53	32556.016	€ 0	1	Cover
12	45096.020	€ 0	1	Choke Control Lever	54	47610.043	€ 4.9	1	Return Spring
13	45096.019	€ 0	1	Lever	55	45025.089	€ 0	1	Choke Lever
14	64615.004	€ 0	1	Screw	56	55525.010	€ 0.4	1	Spring Washer
15	64290.014	€ 16.2	1	Pump Demand Valve	57	34715.010	€ 0	1	Nut
16	61450.224	€ 20.5	2	Emulsion Tube	58	37000.016	€ 3.8	1	Filter Gauze
17	41015.005	€ 54.2	1	Float	59	64700.004	€ 2	2	Choke Cover Screw
18	32486.041	€ 0	1	Pump Cover	60	55510.038	€ 0	2	Washer
22	76215.045	€ 9.2	1	Pump Jet	61	72129.320	€ 20.3	2	Venturi (Choke Tube)
23	41530.012	€ 0	2	Pump Jet Gasket	62	71107.450	€ 0	2	Auxiliary Venturi
24	73405.125	€ 3.3	2	Main Jet	63	75605.075	€ 10	2	Starter Jet
25	74405.050	€ 2.9	2	Idle Jet	64	64330.008	€ 27	2	Starter Valve
26	41565.002	€ 0.4	2	Idle Jet O Ring	65	47600.139	€ 2.9	2	Starter Valve Spring
27	52570.006	€ 6.2	2	Idle Jet Holder	66	12775.024	€ 2.9	2	Spring Guide
28	47600.107	€ 6.3	1	Pump Spring	67	10140.002	€ 2.9	2	Spring Clip
29	47407.050	€ 7.9	1	Pump Diaphragm	68	61002.010	€ 6.2	1	Fuel Filter Inspection Cover
30	64700.006	€ 0	4	Pump Cover Screw	69	41530.024	€ 0.3	1	Fuel Filter cover Gasket
31	34710.003	€ 1	2	Throttle Shaft Nut	70	61060.001	€ 0	1	Filter Washer
32	55520.004	€ 1	2	Lock Washer	71	37020.002	€ 4.9	1	Fuel Filter
33	12750.032	€ 0	1	Bushing	72	55510.034	€ 0.4	4	Washer
34	14852.011	€ 19.9	1	Pump Cam	73	64700.005	€ 0.5	4	Top Cover Screw
36	10005.211	€ 85	1	Throttle Shaft	74	64750.002	€ 6.3	2	Air By-Pass Screw
37	64005.020	€ 0	2	Throttle Valve	75	34705.001	€ 0.8	2	Air By-Pass Screw Locking Nut
38	64520.027	€ 0.6	4	Throttle Valve Screw					

<https://www.carbparts.eu>

Prices and product availability are subject to change

