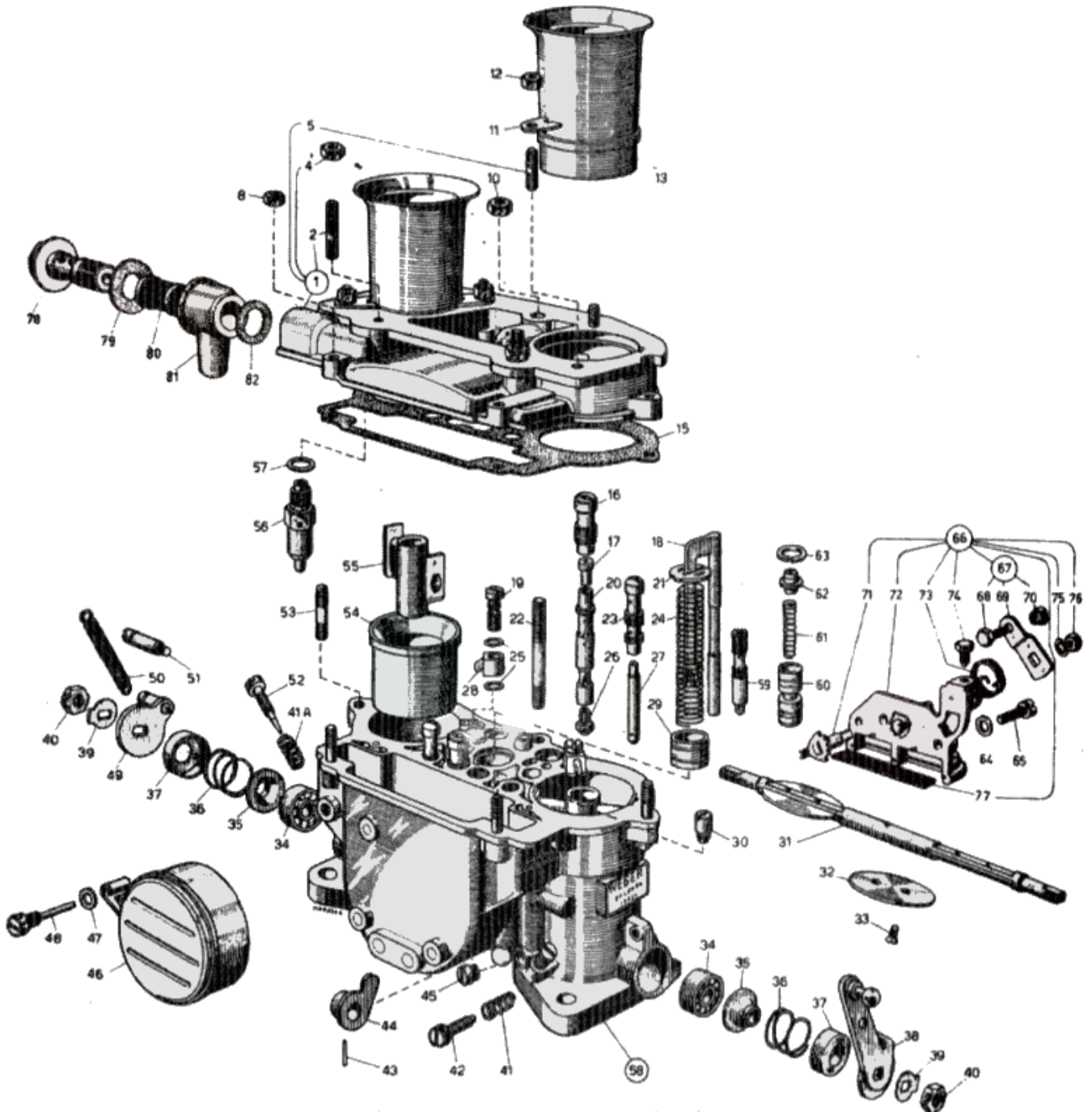


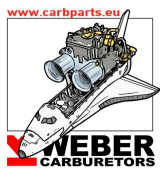


WEBER 40 DCNL - exploded view



<https://www.carbparts.eu>

Prices and product availability are subject to change



CarbDeal
Selling carburetor parts since 2005



WEBER 40 DCNL - Parts list

No	Part No	Price	Pcs	Description	No	Part No	Price	Pcs	Description
1	31716.047	€ 0	1	Carburetor Top	44	45082.013	€ 0	1	Pump Cam Lever
2	64955.104	€ 0	2	Stud	45	61015.001	€ 9.3	2	Plug
4	34725.004	€ 0	2	Nut	46	41015.008	€ 0	1	Brass Float
5	64955.009	€ 4.5	4	Stud	47	41530.017	€ 0	1	Gasket
8	34725.003	€ 1.8	4	Nut	48	64900.010	€ 0	1	Float Pin Screw
10	34725.004	€ 0	1	Nut	49	45028.040	€ 0	1	Lever
11	52150.013	€ 0	4	Air Horn Tab	50	47605.018	€ 0	1	Spring
12	34725.003	€ 1.8	4	Nut	51	52010.036	€ 0	1	Spring Pivot Holder
13	52840.015	€ 0	2	Air Horn	52	64750.001	€ 2.5	2	Idle Mixture Screw
15	41705.018	€ 0	1	Top Cover Gasket	53	64955.029	€ 0	4	Stud
16	52580.001	€ 4.6	2	Emulsion Tube Holder	54	34914.005	€ 0	2	Main Venturi (Choke)
17	77401	€ 4.3	2	Air Corrector Jet	55	31956.002	€ 0	2	Auxiliary Venturi
18	10410.017	€ 0	1	Pump Rod	56	79504	€ 0	1	Needle & Seat
19	64290.005	€ 16.2	2	Pump Demand Valve	57	41530.049	€ 0	1	Gasket
20	61450	€ 24.2	2	Emulsion Tube	58	Not Serviced	€ 0	1	Carburetor Body
21	52140.007	€ 6.2	1	Pump Spring Retainer	59	75605	€ 10	2	Starter Jet
22	64955.109	€ 0	2	Stud	60	64330.003	€ 5.8	2	Starter Valve
23	77903	€ 0	2	Jet Holder	61	47600.005	€ 2.9	2	Spring
24	47600.103	€ 1.6	1	Spring	62	12775.004	€ 2.9	2	Bushing
25	41540.014	€ 2.4	4	Pump Jet Gasket	63	10140.010	€ 3.1	2	Clip
26	73401	€ 12.5	2	Main Jet	64	55510.038	€ 0	2	Washer
27	41165.252	€ 0	2	Idle Jet	65	64700.004	€ 2	2	Choke Cover Fixing Screw
28	41252.009	€ 0	2	Pump Jet	66	32556.005	€ 0	1	Pump Cover Assembly Including
29	58602.004	€ 0	1	Plunger	67	45027.039	€ 0	1	-Cold Start Lever Assembly
30	79701	€ 6.6	1	Exhaust Valve	68	64800.002	€ 0	1	-Cold Start Bolt
31	10005.438	€ 24.2	1	Throttle Shaft	69	45025.043	€ 0	1	-Cold Start Lever
32	64005.059	€ 7.9	2	Throttle Plate	70	34720.002	€ 0	1	-Cold Start Nut
33	64520.027	€ 0.6	4	Throttle Plate Screw	71	10085.009	€ 0	1	Choke Control Shaft
34	32650.003	€ 0	2	Sealed Bearing	72	32556.006	€ 0	1	-Cold Start Plate
35	41570.001	€ 1	2	Leather Seal	73	47610.042	€ 6.3	1	-Spring
36	47600.063	€ 1.8	2	Spring	74	64605.017	€ 1.8	1	-Choke Cable Clamp
37	58000.007	€ 2.7	2	Retaining Cover	75	55525.010	€ 0.4	1	-Spring Washer
38	45034.053	€ 0	1	Lever	76	34715.010	€ 0	1	-Fixing Nut
39	55520.004	€ 1	2	Shaft Lock Tab	77	37000.016	€ 3.8	1	-Filter
40	34710.003	€ 1	2	Throttle Spindle Nut	78	12715.003	€ 0	1	Banjo Bolt
41a	47600.007	€ 2.2	2	Spring	79	41530.004	€ 0	1	Gasket
41	47600.007	€ 2.2	1	Spring	80	37022.001	€ 19.9	1	Fuel Filter
42	64625.012	€ 5.4	1	Throttle Stop Screw	81	10354.006	€ 18.4	1	Fuel Union
43	58445.001	€ 0.4	1	Fixing Pin	82		€ 0		

<https://www.carbparts.eu>

Prices and product availability are subject to change

