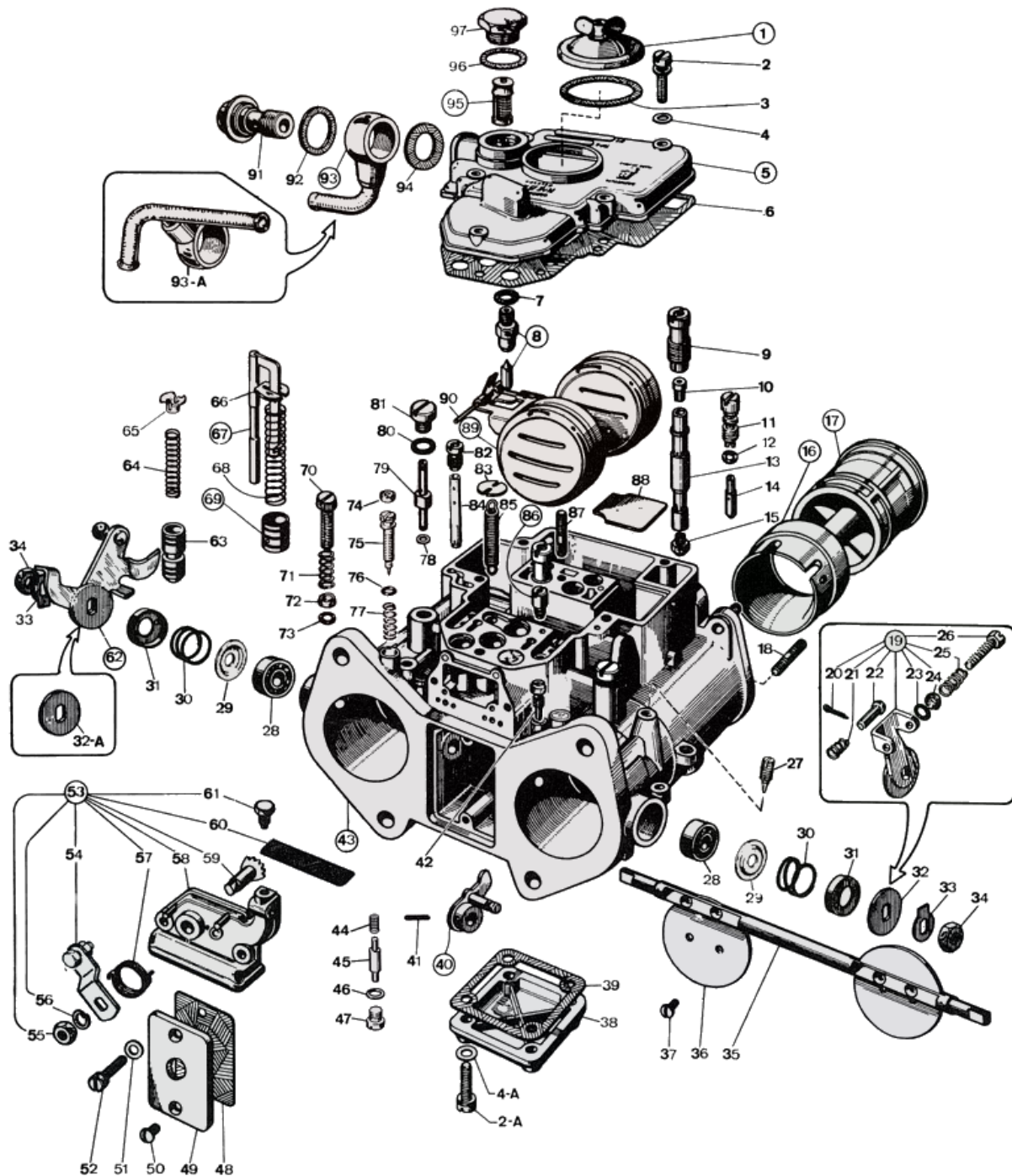




WEBER 40 DCOE emission model

Exploded view



<https://www.carbparts.eu>

Preise und Produktverfügbarkeit können sich ändern



WEBER 40 DCOE emission model

Liste der Teile



No	Teil Nr.	Preis	Stück	Beschreibung
1	32376.003	\$ 12	1	Jet inspection cover
2A	64700.001	-	4	Fixing Screw
2	64700.001	-	5	Top Cover Screw
3	41550.002	\$ 1.1	1	Jet Inspection Cover Gasket
4	55510.034	-	5	Spring Washer
4A	55510.034	-	4	Spring Washer
5	31734.099	-	1	Top cover (40 DCOE 107)
5	31734.098	-	1	Top cover (40 DCOE 106)
6	41715.001	\$ 6.6	1	Carburetor Cover Gasket
7	83102.100	-	1	Needle valve gasket
8	79503.150*	\$ 12.5	1	Float valve
9	52580.001	\$ 7.3	2	Emulsion Tube Holder
10	77401.180*	\$ 5	2	Air bleed jet
11	52585.005	\$ 20.8	2	Idle Jet Holder
12	41565.015	-	2	Idle Mixture Screw O Ring
13	61450.057*	\$ 25.7	2	Emulsion Tube
14	74833.055*	-	2	Idle Jet
15	73401.132*	\$ 2.9	2	Main Jet
16	72302.300*	\$ 14.5	2	Choke tube
17	70001.600*	-	2	Auxiliary venturi
18	64955.108	\$ 5.1	2	Air horns stud
19	45048.018	-	1	Synchro lever (40 DCOE 106) consist of:
20	32610.002	-	1	- Spilt pin
21	47600.093	\$ 2.5	1	- Spring
22	52010.097	-	1	- Pin
23	41565.002	-	1	- O-Ring
24	58000.006	\$ 2.1	1	- Throttle Stop Screw O Ring Cap
25	47600.094	\$ 2.5	1	- Spring
26	64625.015	\$ 6.3	1	- Screw
27	64595.012	-	2	Air by-pass screw
28	32650.001	\$ 5.2	2	Throttle Shaft Bearing
29	58000.002	\$ 4	2	Spring Retaining Cover
30	47600.063	\$ 2.1	2	Spring
31	58000.007	\$ 3.1	2	Retaining Cover
32	55555.010	\$ 2.6	1	Washer For Shaft
32A	55555.010	\$ 2.6	1	Washer For Shaft
33	55520.004	\$ 1.1	2	Throttle Shaft Lock Washer
34	34710.003	\$ 1.1	2	Throttle Spindle Nut
35	10005.401	\$ 38.3	1	Throttle Shaft
36	64005.059	\$ 13.8	2	Throttle Valve
37	64570.006	\$ 3.3	4	Throttle Plate Screw
38	32374.008	\$ 18.7	1	Bottom Cover
39	41640.001	\$ 4	1	Bottom cover gasket
40	45082.005	\$ 16	1	Pump Cam
41	58445.001	-	1	Fixing Pin
42	64590.008	\$ 9.2	2	Vacuum screw cap
43	-	-	1	Carburetor Body
44	47600.224	\$ 7.9	1	Bush retaining spring
45	64330.013	\$ 5.2	1	Valve
46	41530.012	-	1	Pump jet gasket
47	61015.014	\$ 5.3	1	Pump Demand Valve Cover
48	41640.021	\$ 1.3	1	Pump cover gasket

No	Teil Nr.	Preis	Stück	Beschreibung
49	52135.024	\$ 6.6	1	Inspection plate
50	64570.009	-	2	Inspection Cover Fixing Screw
51	55510.038	-	2	Flat Washer
52	64700.004	\$ 3.2	2	Choke cover fixing screw
53	32556.018	\$ 38.5	1	Cold start unit (40 DCOE 106)
53	32556.002	\$ 35	1	Cold Start Unit
54	45027.030	-	1	— Cold Start Lever Assembly
55	34715.010	-	1	— Lever fixing nut
56	55525.010	-	1	— Spring washer
57	47610.006	\$ 9.9	1	— Lever return spring
58	32556.001	-	1	— Cold Start Unit
59	10085.003	\$ 7	1	— Starting shaft
60	37000.016	\$ 5.9	1	— Filter Screen
61	64605.017	\$ 1.8	1	Choke Cable Clamp
62	45041.085	-	1	Throttle lever (40 DCOE 107)
63	64330.003	\$ 9.2	2	Starter valve
64	47600.005	\$ 2.1	2	Starter Valve Spring
65	52030.003	\$ 4.6	2	Guide Bush for spring
66	52140.010	-	1	Pump Screen retainer
67	10410.025	\$ 38.8	1	Pump Rod
68	47600.034	\$ 7.3	1	Spring
69	58602.013	-	1	Pump plunger
70	64585.005	-	1	Throttle stop screw
71	47600.007	\$ 2.5	1	Throttle Stop Screw Spring
72	58000.006	\$ 2.1	1	Throttle Stop Screw O Ring Cap
73	41565.002	-	1	Throttle Stop Screw 'O' Ring
74	61075.021	-	2	Idle mixture screw tamper proof plug
75	64750.058	\$ 7.9	2	Idle Mixture Screw
76	41565.015	-	2	Idle Mixture Screw O Ring
77	47600.007	\$ 2.5	2	Idle Mixture Screw Spring
78	41535.021	\$ 1.3	2	Pump Jet Gasket
79	76801.030*	\$ 7.4	2	Pump jet
80	41565.009	-	2	Pump Jet Cover O ring
81	61015.008	\$ 11.9	2	Pump jet cover
82	77505.150*	\$ 9.2	2	Emulsion tube holder air corrector
83	52210.006	\$ 1.7	1	Spring Anchor Plate
84	75507.085*	\$ 15.8	2	Starter Jet
85	47605.009	\$ 2.5	1	Throttle Return Spring
86	79701.000*	\$ 10.6	1	Back bleed valve
87	64955.007	\$ 13.2	1	Inspection cover stud
88	52130.003	\$ 2.6	1	Plate
89	41030.005	\$ 33	1	Float
90	52000.001	\$ 2.5	1	Float Fulcrum Pin
91	12715.008	\$ 9	1	Fuel Union Bolt
92	41530.024	-	1	Fuel Filter Gasket
93	10536.035	\$ 10.6	1	Fuel union (40 DCOE 107)
93	10536.034	\$ 18.2	1	Fuel union (40 DCOE 106)
94	41530.031	-	1	Fuel Union Gasket
95	37022.002	\$ 5.8	1	Filter element
96	41530.024	-	1	Fuel Filter Gasket
97	61002.010	\$ 7.1	1	Fuel Filter Cover

<https://www.carbparts.eu>

Preise und Produktverfügbarkeit können sich ändern