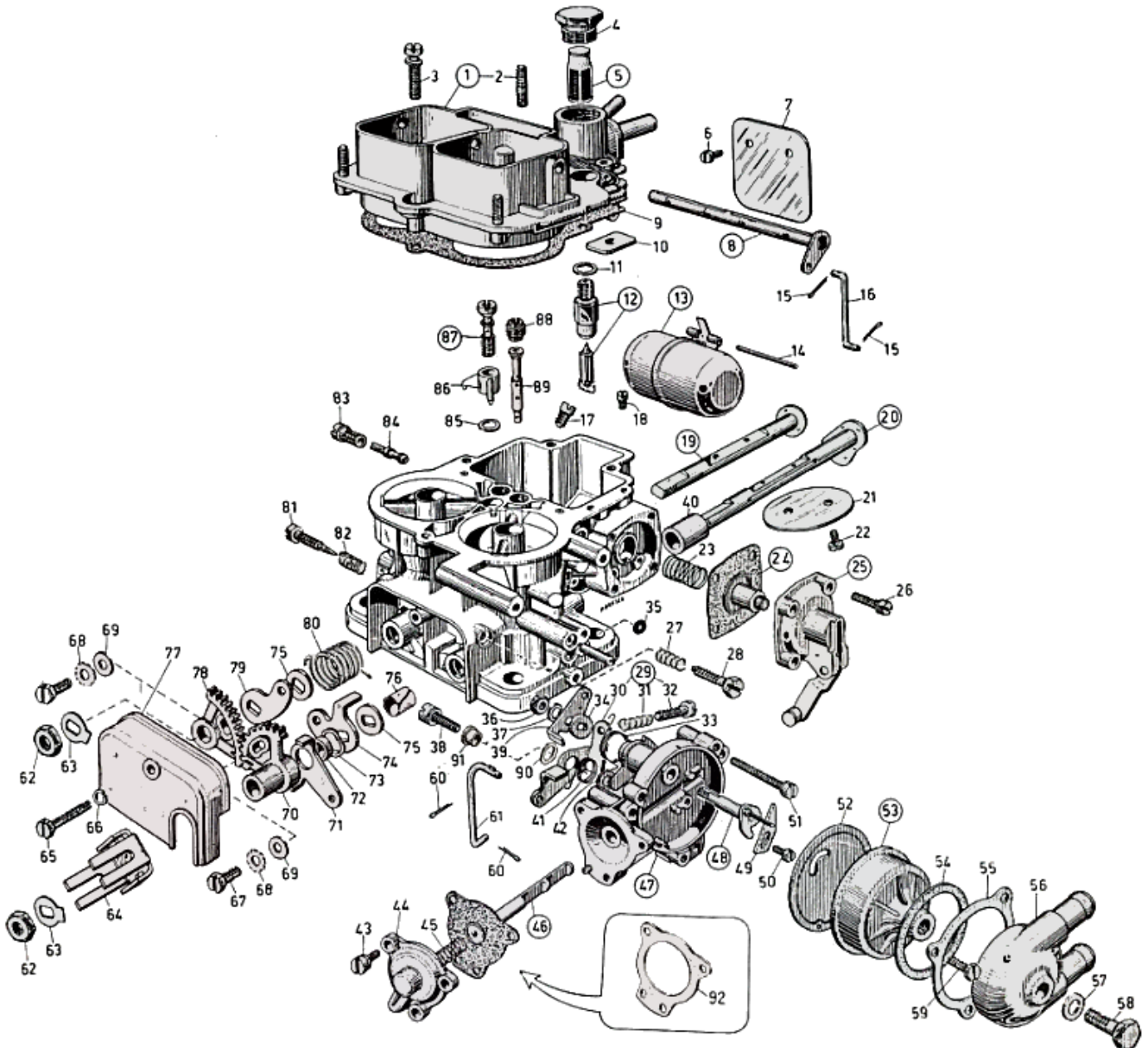


CarbDeal
Selling carburetor parts since 2005



WEBER 40 DFAV - exploded view



<https://www.carbparts.eu>

Prices and product availability are subject to change



CarbDeal
Selling carburetor parts since 2005



WEBER 40 DFAV - Parts list

No	Part No	Price	Pcs	Description	No	Part No	Price	Pcs	Description
1	31716.092	€ 0	1	Carb Top Cover	51	64700.008	€ 5.6	3	Screw
2	64955.002	€ 7.4	3	Stud Bolt	52	41640.005	€ 2.9	1	Gasket
3	64700.005	€ 0.5	5	Top Cover Screw	53	57804.005	€ 0	1	Thermostat Assy
4	61002.018	€ 7.5	1	Strainer Inspection Plug	54	41555.001	€ 0.4	1	Gasket
5	37022.010	€ 3.7	1	Strainer	55	52135.006	€ 3.8	1	Ring
6	64525.003	€ 0	4	Screw	56	32444.002	€ 0	1	Water Chamber
7	64010.007	€ 7.5	2	Plate	57	41530.002	€ 1.8	1	Washer
8	10020.204	€ 0	1	Shaft & Lever Assembly	58	64615.001	€ 0	1	Bolt
9	41705.031	€ 0	1	Top Cover Gasket	59	64615.005	€ 0	3	Screw
10	52135.010	€ 2.9	1	Dust Seal	60	32610.005	€ 1.4	2	Split Pin
11	83102.070	€ 1.6	1	Gasket	61	61280.041	€ 0	1	Rod
12	79519	€ 0	1	Needle & Seat	62	34715.014	€ 1	2	Nut
13	41015.004	€ 51.6	1	Float	63	55520.002	€ 1	2	Lock Washer
14	52000.015	€ 1.8	1	Float Pin	64	45027.089	€ 16.3	1	Lever
15	32610.005	€ 1.4	2	Split Pin	65	64610.004	€ 0	1	Screw
16	61280.004	€ 0	1	Rod	66	55525.007	€ 0.8	1	Washer
17	73801	€ 2.7	2	Main Jet	67	64615.003	€ 0	2	Screw
18	61015.005	€ 2.8	1	Plug	68	55535.001	€ 0	2	Washer External Tooth
19	10015.482	€ 0	1	Shaft	69	55510.007	€ 0	2	Washer
20	10015.430	€ 0	1	Shaft Assembly	70	58202.011	€ 59.6	1	Primary gear level
21	64005.011	€ 20.9	2	Plate	71	45039.003	€ 0	1	Lever
22	64520.027	€ 0.6	4	Screw	72	12750.001	€ 0	1	Bushing
23	47600.107	€ 6.3	1	Accelerator Pump Spring	73	55530.002	€ 3	1	Washer
24	47407.027	€ 7.5	1	Diaphragm Assembly	74	45032.039	€ 0	1	Lever
25	32486.015	€ 0	1	Cover Assy	75	55555.016	€ 1.9	2	Wahser
26	64700.004	€ 2	4	Screw	76	52130.010	€ 3.3	4	Shaft Bushing
27	47600.007	€ 2.2	1	Spring	77	32464.001	€ 0	1	Cover
28	64625.001	€ 0	1	Screw	78	58202.003	€ 59.6	1	Geared Carb Sector (Left Hand)
29	45041.001	€ 0	1	Lever Assembly	79	45025.024	€ 0	1	lever
30	45039.001	€ 0	1	Lever	80	47610.012	€ 4.4	1	Left Hand Return Spring
31	47600.007	€ 2.2	1	Spring	81	64750.001	€ 2.5	2	Needle Screw
32	64590.001	€ 5.8	1	Screw	82	47600.007	€ 2.2	2	Spring
33	47610.010	€ 10.3	1	Spring	83	52570.005	€ 6.2	2	Idle Jet Holder
34	55555.006	€ 0	1	Spacer	84	74403	€ 2.5	2	Idle Jet
35	41565.008	€ 0.8	1	O Ring Seal	85	41540.014	€ 2.4	1	Gasket
36	34705.001	€ 0.8	1	Nut	86	76212	€ 9.2	1	Accelerator Pump Jet
37	55525.001	€ 0	1	Washer Spring	87	64290.005	€ 16.2	1	Accelerator Pump Valve Assembly
38	64700.014	€ 0.9	1	Screw	88	77201	€ 2.1	2	Air Corrector Jet
39	45032.006	€ 0	1	Lever	89	61440	€ 13.9	2	Emulsion Tube
40	12750.016	€ 8.8	1	Spacer	90	55530.005	€ 3.7	1	Washer
41	47610.018	€ 8	1	Spring	91	12765.005	€ 0	1	Bushing
42	55510.013	€ 0	1	Washer	92	41640.013	€ 0	1	Power Valve
43	64700.007	€ 0	3	Screw	93	64700.014	€ 0.9	1	Lever Fixing Screw
44	32384.001	€ 0	1	Cover	94	12775.017	€ 0	1	Bushing For Lever
45	47600.003	€ 5.5	1	Spring	95	Not Serviced	€ 0	1	Valve Control Lever
46	47407.008	€ 0	1	Vacuum Diaphragm & Shaft Assy	96	Not Serviced	€ 0	1	Washer For Lever
47	57804.001	€ 0	1	Body Assembly	97	47610.033	€ 0	1	Spring For Lever
48	10085.001	€ 25.1	1	Shaft & Lever Assembly	98	32610.005	€ 1.4	1	Split Pin For Rod
49	52135.015	€ 0	1	Plate	99	Not Serviced	€ 0	1	Valve Control Rod
50	64520.001	€ 0	1	Screw	100	Not Serviced	€ 0	1	Right Shaft Return Spring

<https://www.carbparts.eu>

Prices and product availability are subject to change

