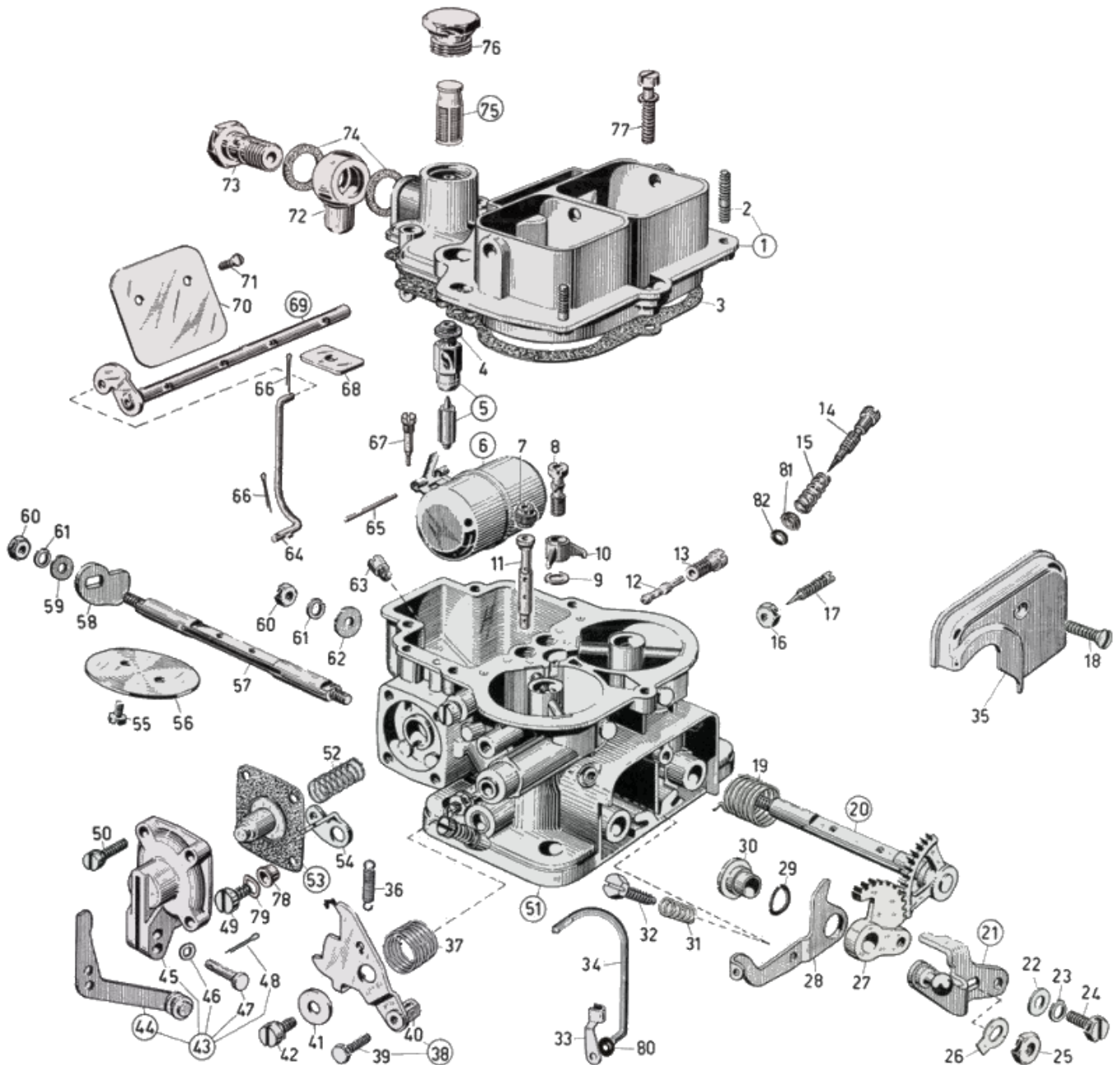




WEBER 40 DFI - exploded view



<https://www.carbparts.eu>

Prices and product availability are subject to change



CarbDeal
Selling carburetor parts since 2005



WEBER 40 DFI - Parts list

No	Part No	Price	Pcs	Description	No	Part No	Price	Pcs	Description
1	31716.017	\$ 0	1	Carburetor cover Assy, including:	42	64700.012	\$ 3.3	1	Lever Fixing Screw
2	64955.003	\$ 0	3	— Stud bolt	43	32486.014	\$ 0	1	Accelerator Pump Cover Assembly Includes
3	41705.020	\$ 0	1	Carburetor Cover Gasket	44	45103.003	\$ 0	1	— Pump lever
4	41535.015	\$ 0	1	Needle valve gasket	45	32484.001	\$ 0	1	— Pump diaphragm cover
5	64240.013	\$ 0	1	Float needle valve	46	55530.006	\$ 0	1	— Wavy Washer
6	41015.004	\$ 61.9	1	Float	47	52010.033	\$ 0	1	— Pin
7	41360.001	\$ 2.6	2	Air bleed jet	48	32610.006	\$ 0	1	— Spilt pin
8	64290.005	\$ 19.4	1	Pump Delivery Valve	49	64520.029	\$ 0	1	Fixing Screw
9	41530.012	\$ 0	1	Pump jet gasket	50	64700.004	\$ 0	4	Pump Cover Screw
10	41252.013	\$ 11	1	Pump Jet	51	-	\$ 0	1	Carburetor Body
11	61440.166	\$ 34.5	2	Emulsion tube	52	47600.107	\$ 7.5	1	Pump Spring
12	41160.003	\$ 3	2	Idle jet	53	47407.014	\$ 30.2	1	Pump diaphragm
13	52570.005	\$ 7.4	2	Idle Jet Holder	54	45032.091	\$ 0	1	Choke Lever
14	64750.009	\$ 0.8	2	Idle mixture adjusting screw	55	64520.023	\$ 3.3	4	Throttle Plate Screw
14	64750.018	\$ 0	2	Idle mixture adjusting screw	56	64005.087	\$ 0	2	Throttle plate
15	47600.007	\$ 2.6	2	Spring for idle adjusting screw	56	64005.036	\$ 0	2	Throttle plate
16	34705.001	\$ 0.9	2	Air Adjusting Screw Nut	57	10000.426	\$ 0	1	Primary Throttle Shaft
17	64750.010	\$ 0	2	Air Adjusting Screw	57	10001.454	\$ 0	1	Primary Throttle Shaft - Oversized
18	64570.010	\$ 0	1	Screw	58	14850.003	\$ 0	1	Pump Cam
19	47610.039	\$ 0	1	Lever return spring	59	55510.046	\$ 1.7	1	Washer for loose lever
20	10016.451	\$ 0	1	Oversized Throttle Shaft	60	34705.001	\$ 0.9	2	Nut
20	10015.459	\$ 0	1	Throttle Shaft	61	55525.001	\$ 0	2	Spring Washer
21	45034.030	\$ 0	1	Throttle Lever	62	55510.002	\$ 1.7	1	Spring Washer
22	55510.046	\$ 1.7	1	Washer for loose lever	63	41120.001	\$ 3.2	2	Main jet
23	55525.001	\$ 0	1	Spring Washer	64	61280.045	\$ 0	1	Tie rod
24	64615.003	\$ 0	1	Screw	65	52000.015	\$ 2.1	1	Float pivot
25	34710.003	\$ 1.2	1	Throttle Spindle Nut	66	32610.006	\$ 0	2	— Spilt pin
26	55520.004	\$ 0	1	Shaft Lock Tab	67	64900.001	\$ 0	1	Pump discharge blanking needle
27	58202.016	\$ 0	1	Throttle Shaft Gear	68	52135.010	\$ 3.5	1	Dust seal plate
28	45032.085	\$ 0	1	Fast Idle Control Lever	69	10020.206	\$ 0	1	Choke shaft
29	55530.002	\$ 3.6	1	Wavy Washer	70	64010.007	\$ 9	2	Choke throttle valve
30	12765.003	\$ 0	1	Spacer Bushing	71	64525.003	\$ 0	4	Choke plate fixing screw
31	47600.007	\$ 2.6	1	Throttle Stop Screw Spring	72	10354.012	\$ 35.8	1	Fuel Union
32	64625.001	\$ 0	1	Throttle Stop Screw	73	12715.021	\$ 42.3	1	Fuel Union Bolt
33	47670.001	\$ 0	1	Rod Clamp	74	41530.001	\$ 2	2	Gasket
34	61280.043	\$ 0	1	Tie rod	75	37022.002	\$ 4.4	1	Filter element
35	32464.004	\$ 0	1	Toothed Sector Box Cover	76	61002.018	\$ 9	1	Fuel Filter Cover
36	47605.022	\$ 0	1	Spindle return spring	77	64700.005	\$ 0.6	5	Top Cover Fixing Screw
37	47610.056	\$ 5.9	1	Spring	78	12775.010	\$ 10.4	1	Bushing For Lever
38	45202.024	\$ 0	1	Lever	79	55530.008	\$ 0	1	Spring Ring
39	64615.004	\$ 0	1	- Screw securing wire	80	41565.010	\$ 0	1	Idle Mixture Screw O Ring
40	45202.025	\$ 0	1	— Throttle Lever	81	58000.006	\$ 2.2	2	Throttle Stop Screw O Ring Cap
41	55510.002	\$ 1.7	1	Spring Washer	82	41565.002	\$ 0.5	2	O-Ring For Idle Jet Holder

<https://www.carbparts.eu>

Prices and product availability are subject to change

