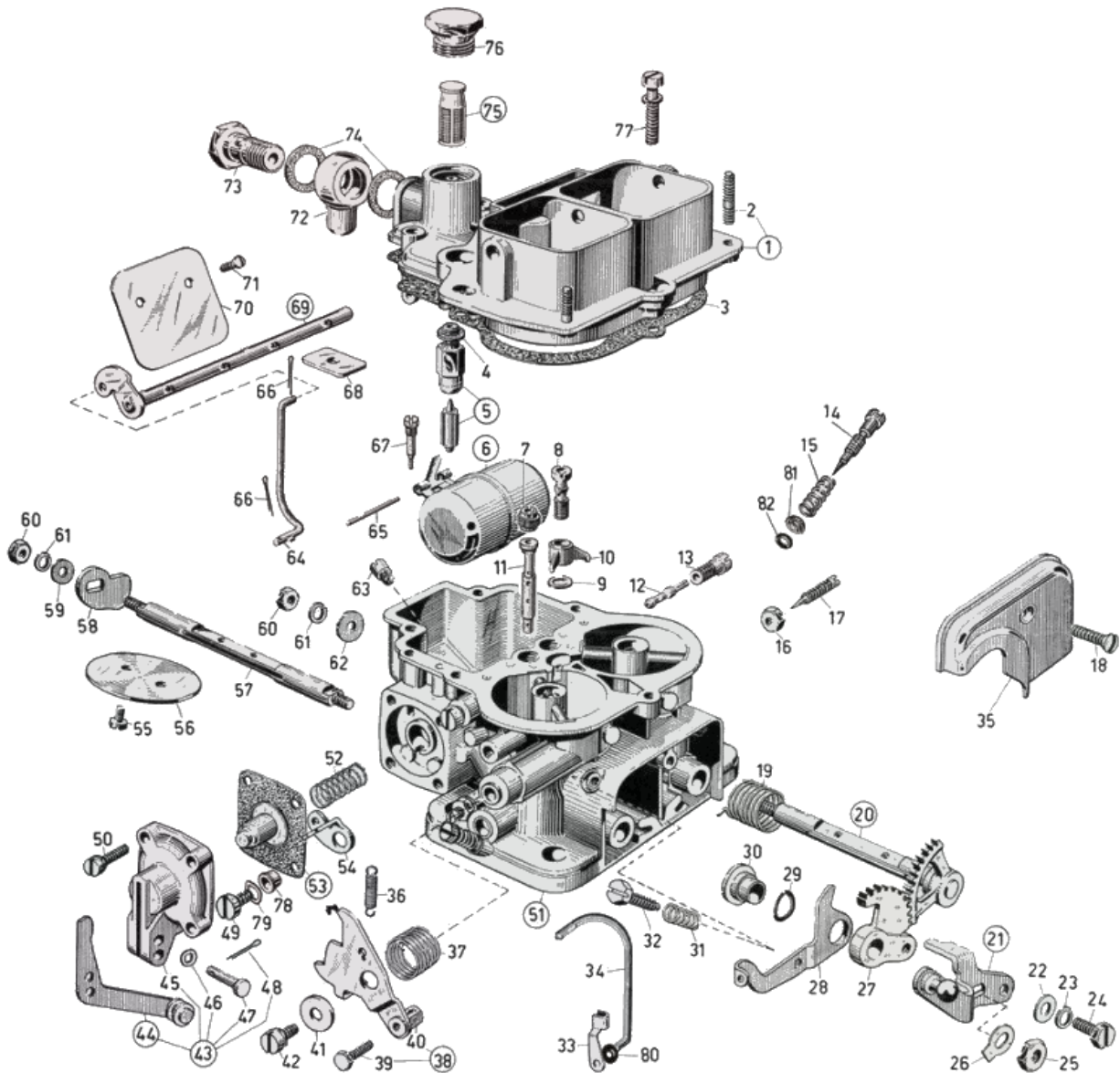




# WEBER 40 DFI

*Exploded view*



<https://www.carbparts.eu>

Los precios y la disponibilidad de los productos están sujetos a cambios



# WEBER 40 DFI

## Lista de partes



No	Parte No	Precio	Pcs	Descripción
1	31716.017	-	1	Carburetor cover Assy, including:
2	64955.003	-	3	— Stud bolt
3	41705.020	-	1	Carburetor Cover Gasket
4	41535.015	-	1	Needle valve gasket
5	64240.013	-	1	Float needle valve
6	41015.004	\$ 54.8	1	Float
7	41360.001	\$ 3.1	2	Air bleed jet
8	64290.005	\$ 30.6	1	Pump Delivery Valve
9	41530.012	-	1	Pump jet gasket
10	41252.013	\$ 11.6	1	Pump Jet
11	61440.166	\$ 14.7	2	Emulsion tube
12	41160.003	\$ 3.1	2	Idle jet
13	52570.005	\$ 9.9	2	Idle Jet Holder
14	64750.009	-	2	Idle mixture adjusting screw
14	64750.018	-	2	Idle mixture adjusting screw
15	47600.007	\$ 2.3	2	Spring for idle adjusting screw
16	34705.001	-	2	Air Adjusting Screw Nut
17	64750.010	-	2	Air Adjusting Screw
18	64570.010	-	1	Screw
19	47610 039	-	1	Lever return spring
20	10015.459	-	1	Throttle Shaft
20	10016.451	-	1	Oversized Throttle Shaft
21	45034.030	-	1	Throttle Lever
22	55510.046	\$ 2.2	1	Washer for loose lever
23	55525.001	-	1	Spring Washer
24	64615.003	-	1	Screw
25	34710.003	\$ 1	1	Throttle Spindle Nut
26	55520 004	-	1	Shaft Lock Tab
27	58202.016	-	1	Throttle Shaft Gear
28	45032.085	-	1	Fast Idle Control Lever
29	55530.002	\$ 3.2	1	Wavy Washer
30	12765 003	-	1	Spacer Bushing
31	47600.007	\$ 2.3	1	Throttle Stop Screw Spring
32	64625.001	-	1	Throttle Stop Screw
33	47670.001	-	1	Rod Clamp
34	61280.043	-	1	Tie rod
35	32464.004	-	1	Toothed Sector Box Cover
36	47605.022	-	1	Spindle return spring
37	47610.056	\$ 5.2	1	Spring
38	45202.024	-	1	Lever
39	64615.004	-	1	- Screw securing wire
40	45202.025	-	1	— Throttle Lever
41	55510.002	\$ 1.5	1	Spring Washer

No	Parte No	Precio	Pcs	Descripción
42	64700.012	\$ 3	1	Lever Fixing Screw
43	32486.014	-	1	Accelerator Pump Cover Assembly Includes
44	45103 003	-	1	— Pump lever
45	32484.001	-	1	— Pump diaphragm cover
46	55530.006	-	1	— Wavy Washer
47	52010.033	-	1	— Pin
48	32610.006	-	1	— Spilt pin
49	64520.029	-	1	Fixing Screw
50	64700 004	-	4	Pump Cover Screw
51	-	-	1	Carburetor Body
52	47600.107	\$ 9.9	1	Pump Spring
53	47407.014	\$ 26.8	1	Pump diaphragm
54	45032.091	-	1	Choke Lever
55	64520.023	-	4	Throttle Plate Screw
56	64005.036	-	2	Throttle plate
56	64005.087	-	2	Throttle plate
57	10000.426	-	1	Primary Throttle Shaft
57	10001.454	-	1	Primary Throttle Shaft - Oversized
58	14850.003	-	1	Pump Cam
59	55510.046	\$ 2.2	1	Washer for loose lever
60	34705.001	-	2	Nut
61	55525.001	-	2	Spring Washer
62	55510.002	\$ 1.5	1	Spring Washer
63	41120.001	\$ 3.9	2	Main jet
64	61280.045	-	1	Tie rod
65	52000.015	\$ 1.9	1	Float pivot
66	32610.006	-	2	— Spilt pin
67	64900 001	-	1	Pump discharge blanking needle
68	52135.010	\$ 3.1	1	Dust seal plate
69	10020.206	-	1	Choke shaft
70	64010.007	\$ 11.9	2	Choke throttle valve
71	64525.003	-	4	Choke plate fixing screw
72	10354.012	\$ 31.6	1	Fuel Union
73	12715.021	\$ 37.4	1	Fuel Union Bolt
74	41530.001	\$ 1.8	2	Gasket
75	37022.002	\$ 5.8	1	Filter element
76	61002.018	\$ 11.9	1	Fuel Filter Cover
77	64700.005	-	5	Top Cover Fixing Screw
78	12775.010	\$ 9.2	1	Bushing For Lever
79	55530 008	-	1	Spring Ring
80	41565.010	-	1.	Idle Mixture Screw O Ring
81	58000.006	\$ 2	2	Throttle Stop Screw O Ring Cap
82	41565.002	-	2	O-Ring For Idle Jet Holder

<https://www.carbparts.eu>

Los precios y la disponibilidad de los productos están sujetos a cambios