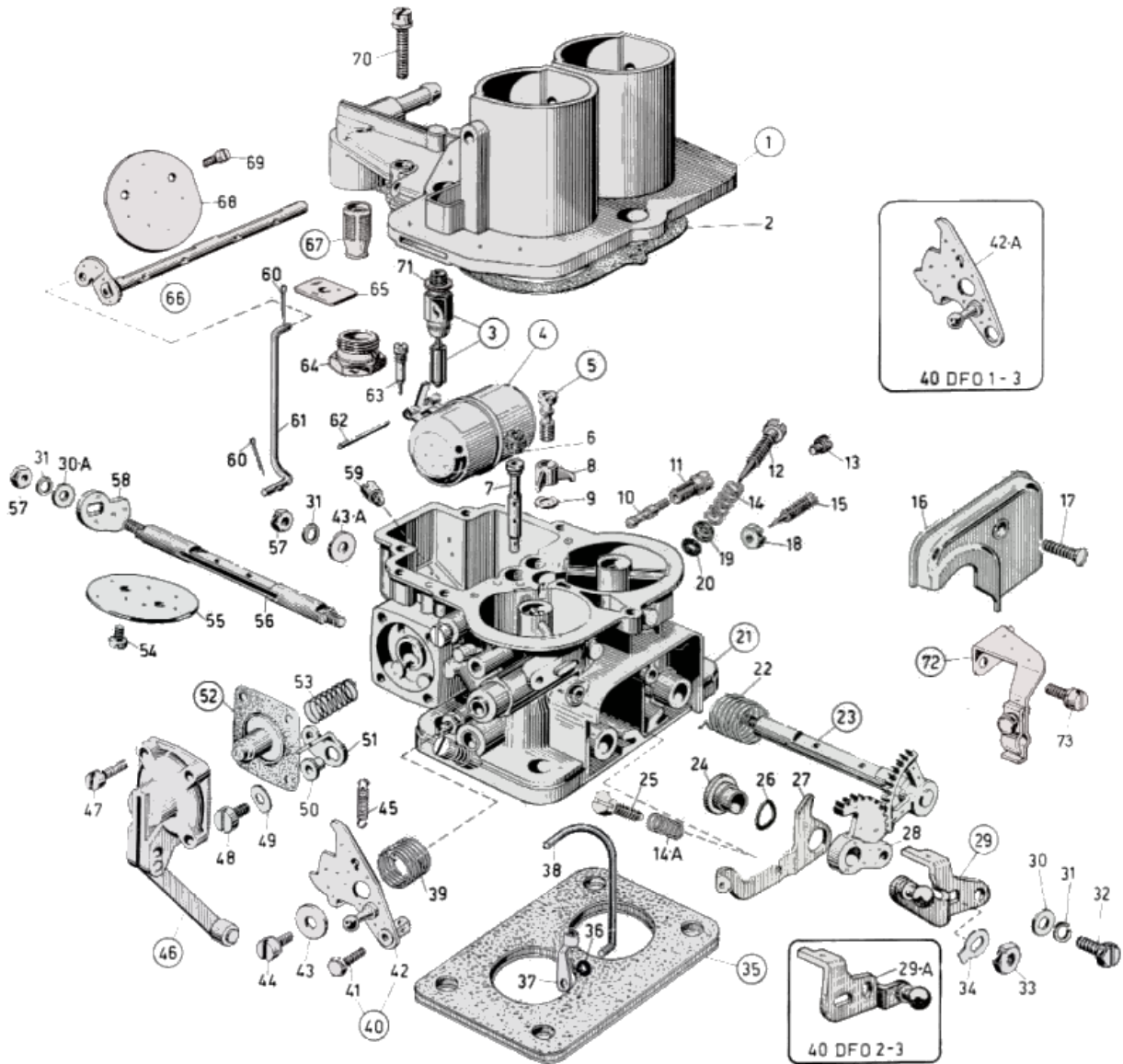




WEBER 40 DFO

Exploded view



<https://www.carbparts.eu>

Preise und Produktverfügbarkeit können sich ändern



WEBER 40 DFO

Liste der Teile



| No | Teil Nr. | Preis | Stück | Beschreibung |
|----|-----------|---------|-------|-------------------------------|
| 1 | 31716.083 | - | 1 | Carb Top Cover |
| 2 | 41705.020 | - | 1 | Carburetor Cover Gasket |
| 3 | 64240.013 | - | 1 | Float needle valve |
| 4 | 41015.004 | \$ 58.2 | 1 | Float |
| 5 | 64290.005 | \$ 32 | 1 | Pump Delivery Valve |
| 6 | 41360.001 | \$ 3.2 | 2 | Air bleed jet |
| 7 | 61440.166 | \$ 15.4 | 2 | Emulsion tube |
| 8 | 41252.013 | \$ 12.1 | 1 | Pump Jet |
| 9 | 41530.012 | - | 1 | Pump jet gasket |
| 10 | 41160.003 | \$ 3.2 | 2 | Idle jet |
| 11 | 52570.005 | \$ 9.9 | 2 | Idle Jet Holder |
| 12 | 64750.003 | \$ 4 | 2 | Idle mixture screw |
| 13 | 61015.005 | \$ 3.2 | 1 | Vacuum Take-Off Cover |
| 14 | 47600.007 | \$ 2.4 | 2 | Idle Mixture Screw Spring |
| 14 | 47600.007 | \$ 2.4 | 1 | Idle Mixture Screw Spring |
| 15 | 64750.010 | - | 2 | Air Adjusting Screw |
| 16 | 32464.004 | - | 1 | Toothed Sector Box Cover |
| 17 | 64570.010 | - | 1 | Inspection Cover Fixing Screw |
| 18 | 34705.001 | - | 2 | By-pass screw lock nut |
| 19 | 58000.006 | \$ 2.1 | 2 | Idle Mixture Screw Cup Washer |
| 20 | 41565.002 | - | 2 | Idle Mixture Screw 'O' Ring |
| 21 | - | - | 1 | Carburetor Body |
| 22 | 47610.039 | \$ 4.2 | 1 | Spindle return spring |
| 23 | 10015.459 | - | 1 | Throttle Shaft |
| 23 | 10016.451 | - | 1 | Oversized Throttle Shaft |
| 24 | 12765.003 | \$ 17.6 | 1 | Spacer Bushing |
| 25 | 64625.001 | - | 1 | Throttle Stop Screw |
| 26 | 55530.002 | \$ 3.3 | 1 | Wavy Washer |
| 27 | 45032.085 | - | 1 | Fast Idle Control Lever |
| 28 | 58202.016 | - | 1 | Throttle Shaft Gear |
| 29 | 45034.030 | - | 1 | Throttle Lever |
| 29 | 45034.060 | - | 1 | Throttle lever (40 DFO 2-3) |
| 30 | 55510.046 | \$ 2.3 | 1 | Flat Washer |
| 30 | 55510.046 | \$ 2.3 | 1 | Flat Washer |
| 31 | 55525.001 | - | 3 | Spring Washer |
| 32 | 64615.003 | - | 1 | Screw |
| 33 | 34710.003 | \$ 1.1 | 1 | Throttle Spindle Nut |
| 34 | 55520.004 | \$ 1.1 | 1 | Throttle Shaft Lock Washer |
| 35 | 39152.005 | - | 1 | Base Spacer Heat Gasket |
| 36 | 41565.010 | - | 1 | O Ring Seal |

| No | Teil Nr. | Preis | Stück | Beschreibung |
|----|-----------|---------|-------|------------------------------------|
| 37 | 47670.001 | - | 1 | Rod Clamp |
| 38 | 61280.043 | - | 1 | Tie rod |
| 39 | 47610.056 | \$ 5.5 | 1 | Spring |
| 40 | 45202.042 | - | 1 | Choke lever including (40 DFO-2) |
| 41 | 64615.009 | - | 1 | — Screw securing wire |
| 42 | 45202.041 | - | 1 | — Choke Lever |
| 42 | 45202.043 | - | 1 | — Choke Lever (40 DFO-1-3) |
| 43 | 55510.002 | \$ 1.6 | 1 | Flat Washer |
| 43 | 55510.002 | \$ 1.6 | 1 | Flat Washer |
| 44 | 64700.012 | \$ 3.1 | 1 | Lever Fixing Screw |
| 45 | 47605.025 | \$ 6.2 | 1 | Choke return spring |
| 46 | 32486.019 | - | 1 | Accelerator Pump Cover |
| 47 | 64700.004 | \$ 3.2 | 4 | Choke cover fixing screw |
| 48 | 64520.029 | - | 1 | Fixing Screw |
| 49 | 55530.008 | \$ 4 | 1 | Washer |
| 50 | 12775.010 | \$ 9.8 | 1 | Bushing For Lever |
| 51 | 45032.091 | - | 1 | Choke Lever |
| 52 | 47407.016 | - | 1 | Pump Diaphragm |
| 53 | 47600.107 | \$ 9.9 | 1 | Pump Spring |
| 54 | 64520.023 | - | 4 | Throttle Plate Screw |
| 55 | 64005.022 | - | 2 | Throttle Valve |
| 56 | 10000.426 | - | 1 | Primary Throttle Shaft |
| 56 | 10001.454 | - | 1 | Primary Throttle Shaft - Oversized |
| 57 | 34705.001 | - | 2 | Nut |
| 58 | 14850.054 | - | 1 | Pump Cam |
| 59 | 41120.001 | \$ 4.1 | 2 | Main jet |
| 60 | 32610.006 | - | 2 | Spilt pin |
| 61 | 61280.058 | - | 1 | Carburetor Rod |
| 62 | 52000.015 | \$ 2 | 1 | Float pivot |
| 63 | 64900.001 | \$ 11.9 | 1 | Pump discharge blanking needle |
| 64 | 61002.018 | \$ 11.9 | 1 | Fuel Filter Cover |
| 65 | 52135.010 | \$ 3.2 | 1 | Dust seal plate |
| 66 | 10020.216 | - | 1 | Choke Shaft |
| 67 | 37022.002 | \$ 5.8 | 1 | Fuel Filter |
| 68 | 64010.011 | - | 2 | Choke plate |
| 69 | 64525.003 | - | 4 | Choke plate fixing screw |
| 70 | 64700.005 | - | 5 | Top Cover Fixing Screw |
| 71 | 41535.015 | - | 1 | Needle valve gasket |
| 72 | 58702.017 | - | 1 | Sheat support |
| 73 | 64700.012 | \$ 3.1 | 1 | Sheat support fixing Screw |

<https://www.carbparts.eu>

Preise und Produktverfügbarkeit können sich ändern