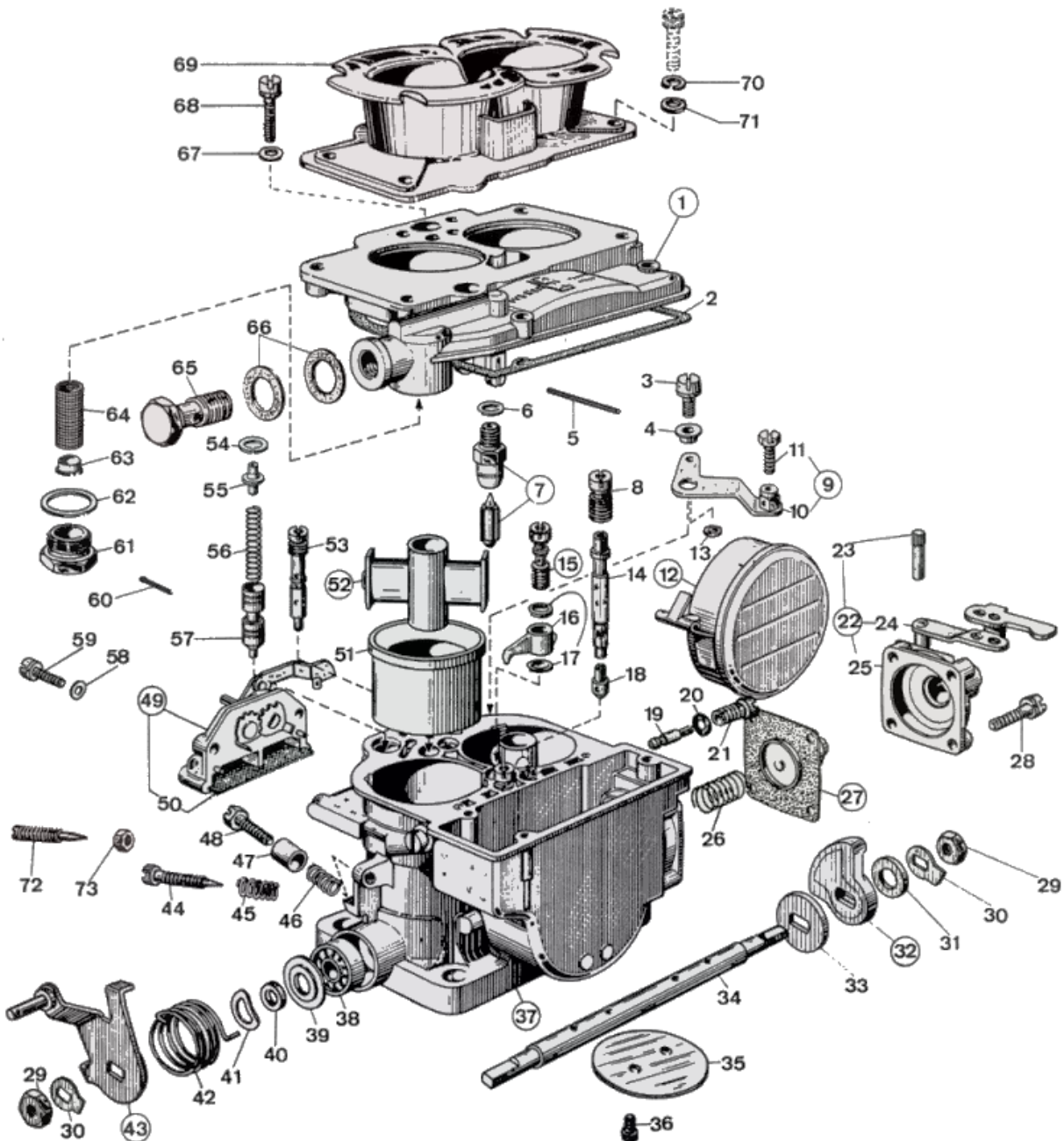




# WEBER 42 DCNF 2

## *Exploded view*



<https://www.carbparts.eu>

Preise und Produktverfügbarkeit können sich ändern



# WEBER 42 DCNF 2

## Liste der Teile



| No | Teil Nr.  | Preis   | Stück | Beschreibung                             |
|----|-----------|---------|-------|--|
| 1  | 31716.096 | -       | 1     | Carburetor Top Cover                     |
| 2  | 41705.029 | \$ 9.3  | 1     | Top Cover Gasket                         |
| 3  | 64700.012 | \$ 3.2  | 1     | Lever Fixing Screw                       |
| 4  | 12775.010 | \$ 9.9  | 1     | Bushing For Lever                        |
| 5  | 52000.010 | -       | 1     | Float Fulcrum Pin                        |
| 6  | 41535.015 | -       | 1     | Needle valve gasket                      |
| 7  | 64240.015 | \$ 8.2  | 1     | Float needle valve                       |
| 8  | 41370.001 | \$ 6.1  | 2     | Emulsion tube holder air corrector       |
| 9  | 45096.020 | -       | 1     | Leva a squadra completa di:              |
| 10 | 45096.019 | -       | 1     | — Lever                                  |
| 11 | 64615.004 | -       | 1     | - Screw securing wire                    |
| 12 | 41015.005 | \$ 85.8 | 1     | Float                                    |
| 13 | 55510.056 | \$ 1.6  | 1     | Flat Washer                              |
| 14 | 61450.225 | \$ 28.7 | 2     | Emulsion Tube                            |
| 15 | 64290.014 | \$ 32.4 | 1     | Pump Delivery Valve                      |
| 16 | 41252.018 | -       | 1     | Pump Jet                                 |
| 17 | 41530.012 | -       | 2     | Pump jet gasket                          |
| 18 | 41115.003 | \$ 5.7  | 2     | Main jet                                 |
| 19 | 41160.005 | \$ 4.2  | 2     | Idle jet                                 |
| 20 | 41565.002 | -       | 2     | Idle jet holder O Ring seal              |
| 21 | 52570.006 | \$ 7    | 2     | Idle Jet Holder                          |
| 22 | 32486.036 | -       | 1     | Accelerator Pump Cover Assembly Includes |
| 23 | 52000.021 | -       | 1     | — Pin                                    |
| 24 | 45138.008 | -       | 1     | — Throttle Lever                         |
| 25 | 32484.001 | -       | 1     | — Pump diaphragm cover                   |
| 26 | 47600.092 | -       | 1     | Pump Spring                              |
| 27 | 47407.050 | \$ 12.5 | 1     | Pump diaphragm                           |
| 28 | 64700.006 | -       | 4     | Pump Cover Screw                         |
| 29 | 34710.003 | \$ 1.1  | 2     | Throttle Spindle Nut                     |
| 30 | 55520.004 | \$ 1.1  | 2     | Throttle Shaft Lock Washer               |
| 31 | 55510.006 | -       | 1     | Washer For Shaft                         |
| 32 | 14852.010 | -       | 1     | Pump Cam                                 |
| 33 | 55555.005 | \$ 2.4  | 1     | Shaft Spacer                             |
| 34 | 10005.211 | \$ 96.5 | 1     | Throttle Shaft                           |
| 35 | 64005.033 | \$ 34.2 | 2     | Throttle Valve                           |
| 36 | 64520.027 | -       | 4     | Throttle plate screw                     |
| 37 | -         | -       | 1     | Carburetor Body                          |

| No | Teil Nr.  | Preis   | Stück | Beschreibung                |
|----|-----------|---------|-------|-----------------------------|
| 38 | 32650.001 | \$ 5.2  | 2     | Throttle Shaft Bearing      |
| 39 | 58000.017 | -       | 2     | Spring Retaining Cover      |
| 40 | 12750.053 | -       | 2     | Shaft Distance Piece        |
| 41 | 55530.010 | -       | 2     | Wavy Washer                 |
| 42 | 47610.078 | \$ 6.4  | 1     | Primary Shaft Return Spring |
| 43 | 45041.050 | -       | 1     | Throttles control lever     |
| 44 | 64750.003 | \$ 4    | 2     | Idle mixture screw          |
| 45 | 47600.007 | \$ 2.5  | 2     | Idle Mixture Screw Spring   |
| 46 | 47600.007 | \$ 2.5  | 1     | Throttle Stop Screw Spring  |
| 47 | 12785.013 | -       | 1     | Bushing                     |
| 48 | 64625.014 | -       | 1     | Throttle Stop Screw         |
| 49 | 32556.019 | -       | 1     | Starter control, including: |
| 50 | 37000.016 | \$ 5.9  | 1     | — Filter Screen             |
| 51 | 34914.006 | -       | 2     | Venturi (Choke)             |
| 52 | 31956.003 | -       | 2     | Auxiliary Venturi           |
| 53 | 41205.151 | \$ 12.7 | 2     | Starter Jet                 |
| 54 | 10140.002 | \$ 3.3  | 2     | Spring Clip                 |
| 55 | 12775.024 | \$ 4.6  | 2     | Spring guide and retainer   |
| 56 | 47600.139 | \$ 4.6  | 2     | Starter Valve Spring        |
| 57 | 64330.008 | \$ 30.7 | 2     | Starter Valve               |
| 58 | 55510.038 | -       | 2     | Flat Washer                 |
| 59 | 64700.004 | \$ 3.2  | 2     | Pump Cover Screw            |
| 60 | 32610.006 | -       | 1     | — Spilt pin                 |
| 61 | 61002.010 | \$ 6.9  | 1     | Fuel Filter Cover           |
| 62 | 41530.024 | -       | 1     | Fuel Filter Gasket          |
| 63 | 61060.001 | -       | 1     | Filter Washer               |
| 64 | 37020.002 | \$ 5.5  | 1     | Fuel Filter Element         |
| 65 | 12715.021 | \$ 40   | 1     | Fuel Union Bolt             |
| 66 | 41530.001 | \$ 1.9  | 2     | Gasket                      |
| 67 | 55510.034 | -       | 4     | Spring Washer               |
| 68 | 64700.005 | -       | 4     | Top Cover Fixing Screw      |
| 69 | 52848.001 | \$ 133  | 1     | Air Horn                    |
| 70 | 55525.001 | -       | 4     | Spring Washer               |
| 71 | 55510.034 | -       | 4     | Spring Washer               |
| 72 | 64750.002 | \$ 9.9  | 2     | Air by-pass screw           |
| 73 | -         | -       | -     | -                           |

<https://www.carbparts.eu>

Preise und Produktverfügbarkeit können sich ändern