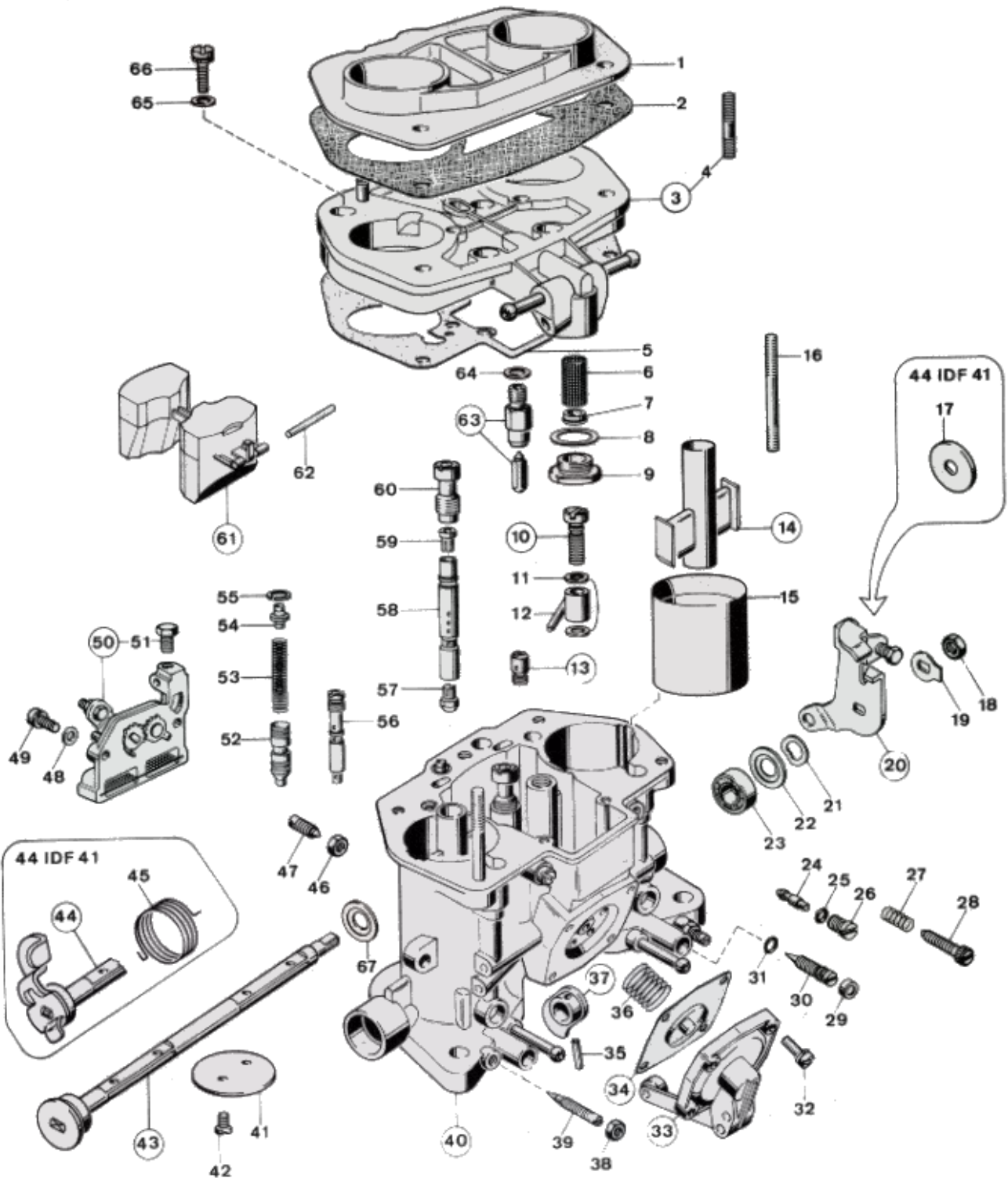




WEBER 44 IDF 40/41 - exploded view



<https://www.carbparts.eu>

Prices and product availability are subject to change



CarbDeal
Selling carburetor parts since 2005



WEBER 44 IDF 40/41 - Parts list

No	Part No	Price	Pcs	Description	No	Part No	Price	Pcs	Description
1	52848.007	£ 0	1	Air Horn	35	58445.001	£ 0.4	1	Fixing Pin
2	41655.020	£ 7.3	1	Air Horn Gasket	36	47600.028	£ 4.3	1	Diaphragm Loading Spring
3	31716.380	£ 0	1	Carburetor cover Assy, including:	37	14852.007	£ 0	1	Pump Cam
4	64955.104	£ 0	2	Stud	38	34705.006	£ 0	2	Air By-Pass Screw Locking Nut
5	41705.043	£ 0	1	Carburettor Cover Gasket	39	64750.029	£ 5.4	2	Air by-pass screw
6	37020.002	£ 4.3	1	Fuel Filter Element	40	-	£ 0	1	Carburetor Body
7	61060.001	£ 0	1	Filter Washer	41	64005.103	£ 19	2	Throttle Valve
8	41530.024	£ 0.2	1	Fuel Filter Gasket	42	64520.027	£ 0.5	4	Throttle plate screw
9	61002.010	£ 5.4	1	Fuel Filter Cover	43	10020.419	£ 0	1	Throttle Shaft
10	64290.016	£ 14.4	2	Pump Demand Valve	44	10020.420	£ 0	1	Throttle Shaft
11	41530.012	£ 0	4	Pump jet gasket	45	47610.035	£ 5.4	1	Throttle Return Spring
12	76210.040	£ 10.9	2	Pump jet	46	34715.015	£ 0	2	Fixing Nut
13	79701.000	£ 7.5	1	Back bleed valve	46	55510.038	£ 0	2	Flat Washer
14	71102.450	£ 47.8	2	Auxiliary Venturi	47	64830.002	£ 10.4	2	Choke Tube Fixing Screw
15	71507.340	£ 25.1	2	Choke tube	48		£ 0		
16	64955.113	£ 0	2	Stud	49	64700.004	£ 1.7	2	Pump Cover Screw
17	55555.005	£ 1.5	1	Shaft Spacer	50	32556.005	£ 0	1	— Cold Start Unit
18	34710.003	£ 0.9	1	Throttle Spindle Nut	51	64605.017	£ 1.5	1	— Choke Cable Clamp
19	55520.004	£ 0.9	1	Throttle Shaft Lock Washer	52	64330.009	£ 5.1	2	Starter Valve
20	45048.078	£ 0	1	Throttle control lever	53	47600.133	£ 2.5	2	Starter Valve Spring
21	55530.005	£ 3.2	1	Spring Ring	54	12775.024	£ 2.5	2	Spring guide and retainer
22	58000.015	£ 7	1	Spring Retaining Cover	55	10140.002	£ 2.5	2	Spring Clip
23	32650.001	£ 2.8	1	Throttle Shaft Bearing	56	75605.090	£ 8.7	2	Starter Jet
24	74405.055	£ 2.5	2	Idle Jet	57	73401.145	£ 2	2	Main Jet
25	41565.002	£ 0.4	2	O-Ring For Idle Jet Holder	58	61450.210	£ 11.6	2	Emulsion Tube
26	52570.006	£ 5.4	2	Idle Jet Holder	59	77401.180	£ 2	2	Air Correction Jet
27	47600.007	£ 1.9	1	Idle Mixture Screw Spring	60	52580.001	£ 4	2	Emulsion Tube Holder
28	64585.005	£ 0	1	Throttle stop screw	61	41030.008	£ 6.9	1	Float
29	61075.013	£ 5.4	2	Idle mixture tamper proof plug	62	52000.001	£ 1.4	1	Float Fulcrum Pin
30	64750.051	£ 10.4	2	Idling adjusting screw	63	79411.175	£ 0	1	Float valve
31	41565.010	£ 0	2	Idle Mixture Screw O Ring	64	83102.070	£ 1.4	1	Needle valve gasket
32	64700.004	£ 1.7	4	Pump Cover Screw	65	55510.034	£ 0.4	5	Spring Washer
33	32486.071	£ 0	1	Accelerator Pump Cover	66	64700.005	£ 0.4	5	Top Cover Fixing Screw
34	47407.027	£ 6.5	1	Pump diaphragm	67	58000.016	£ 0	1	Spring Retaining Cover

<https://www.carbparts.eu>

Prices and product availability are subject to change

