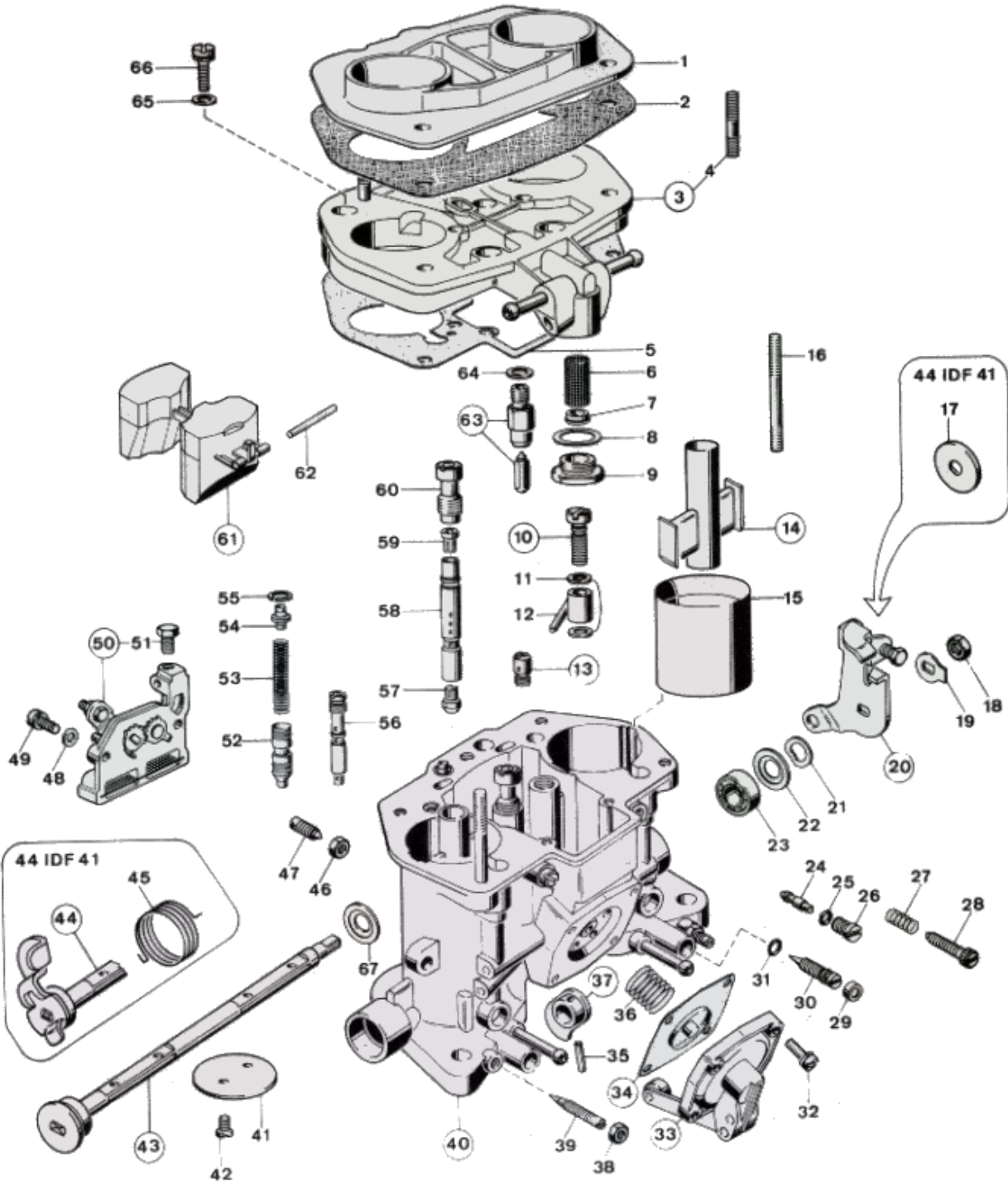




WEBER 44 IDF 40/41

Exploded view



<https://www.carbparts.eu>

Prices and product availability are subject to change



WEBER 44 IDF 40/41

List of parts



No	Part No	Price	Pcs	Description
1	52848.007	\$ 0	1	Air Horn
2	41655.020	\$ 4.2	1	Air Horn Gasket
3	31716.380	\$ 0	1	Carburetor cover Assy, including:
4	64955.104	\$ 0	2	Stud
5	41705.043	\$ 0	1	Carburetor Cover Gasket
6	37020.002	\$ 5.4	1	Fuel Filter Element
7	61060.001	\$ 0	1	Filter Washer
8	41530.024	\$ 0.3	1	Fuel Filter Gasket
9	61002.010	\$ 7	1	Fuel Filter Cover
10	64290.016	\$ 18.8	2	Pump Demand Valve
11	41530.012	\$ 0	4	Pump jet gasket
12	76210.040	\$ 16.6	2	Pump jet
13	79701.000	\$ 10.5	1	Back bleed valve
14	71102.450	\$ 60.7	2	Auxiliary Venturi
15	71507.340	\$ 25.1	2	Choke tube
16	64955.113	\$ 0	2	Stud
17	55555.005	\$ 2.4	1	Shaft Spacer
18	34710.003	\$ 1.1	1	Throttle Spindle Nut
19	55520.004	\$ 1.1	1	Throttle Shaft Lock Washer
20	45048.078	\$ 0	1	Throttle control lever
21	55530.005	\$ 6.1	1	Spring Ring
22	58000.015	\$ 9	1	Spring Retaining Cover
23	32650.001	\$ 5.2	1	Throttle Shaft Bearing
24	74405.055	\$ 3.6	2	Idle Jet
25	41565.002	\$ 0.4	2	O-Ring For Idle Jet Holder
26	52570.006	\$ 7	2	Idle Jet Holder
27	47600.007	\$ 2.5	1	Idle Mixture Screw Spring
28	64585.005	\$ 0	1	Throttle stop screw
29	61075.013	\$ 6.8	2	Idle mixture tamper proof plug
30	64750.051	\$ 13.2	2	Idling adjusting screw
31	41565.010	\$ 0	2	Idle Mixture Screw O Ring
32	64700.004	\$ 3.2	4	Pump Cover Screw
33	32486.071	\$ 0	1	Accelerator Pump Cover
34	47407.027	\$ 11.9	1	Pump diaphragm

No	Part No	Price	Pcs	Description
35	58445.001	\$ 0.4	1	Fixing Pin
36	47600.028	\$ 3.8	1	Diaphragm Loading Spring
37	14852.007	\$ 0	1	Pump Cam
38	34705.006	\$ 0	2	Air By-Pass Screw Locking Nut
39	64750.029	\$ 9.9	2	Air by-pass screw
40	-	\$ 0	1	Carburetor Body
41	64005.103	\$ 13.2	2	Throttle Valve
42	64520.027	\$ 0.7	4	Throttle plate screw
43	10020.419	\$ 0	1	Throttle Shaft
44	10020.420	\$ 0	1	Throttle Shaft
45	47610.035	\$ 9.9	1	Throttle Return Spring
46	55510.038	\$ 0	2	Flat Washer
46	34715.015	\$ 0.7	2	Fixing Nut
47	64830.002	\$ 5.3	2	Choke Tube Fixing Screw
48		\$ 0		
49	64700.004	\$ 3.2	2	Pump Cover Screw
50	32556.005	\$ 0	1	— Cold Start Unit
51	64605.017	\$ 2	1	— Choke Cable Clamp
52	64330.009	\$ 9.2	2	Starter Valve
53	47600.133	\$ 3.3	2	Starter Valve Spring
54	12775.024	\$ 4.6	2	Spring guide and retainer
55	10140.002	\$ 3.3	2	Spring Clip
56	75605.090	\$ 11.9	2	Starter Jet
57	73401.145	\$ 3.8	2	Main Jet
58	61450.210	\$ 15.8	2	Emulsion Tube
59	77401.180	\$ 3.8	2	Air Correction Jet
60	52580.001	\$ 7.3	2	Emulsion Tube Holder
61	41030.008	\$ 12.5	1	Float
62	52000.001	\$ 2.5	1	Float Fulcrum Pin
63	79411.175	\$ 0	1	Float valve
64	83102.070	\$ 0.3	1	Needle valve gasket
65	55510.034	\$ 0.4	5	Spring Washer
66	64700.005	\$ 0.6	5	Top Cover Fixing Screw
67	58000.016	\$ 0	1	Spring Retaining Cover

<https://www.carbparts.eu>

Prices and product availability are subject to change