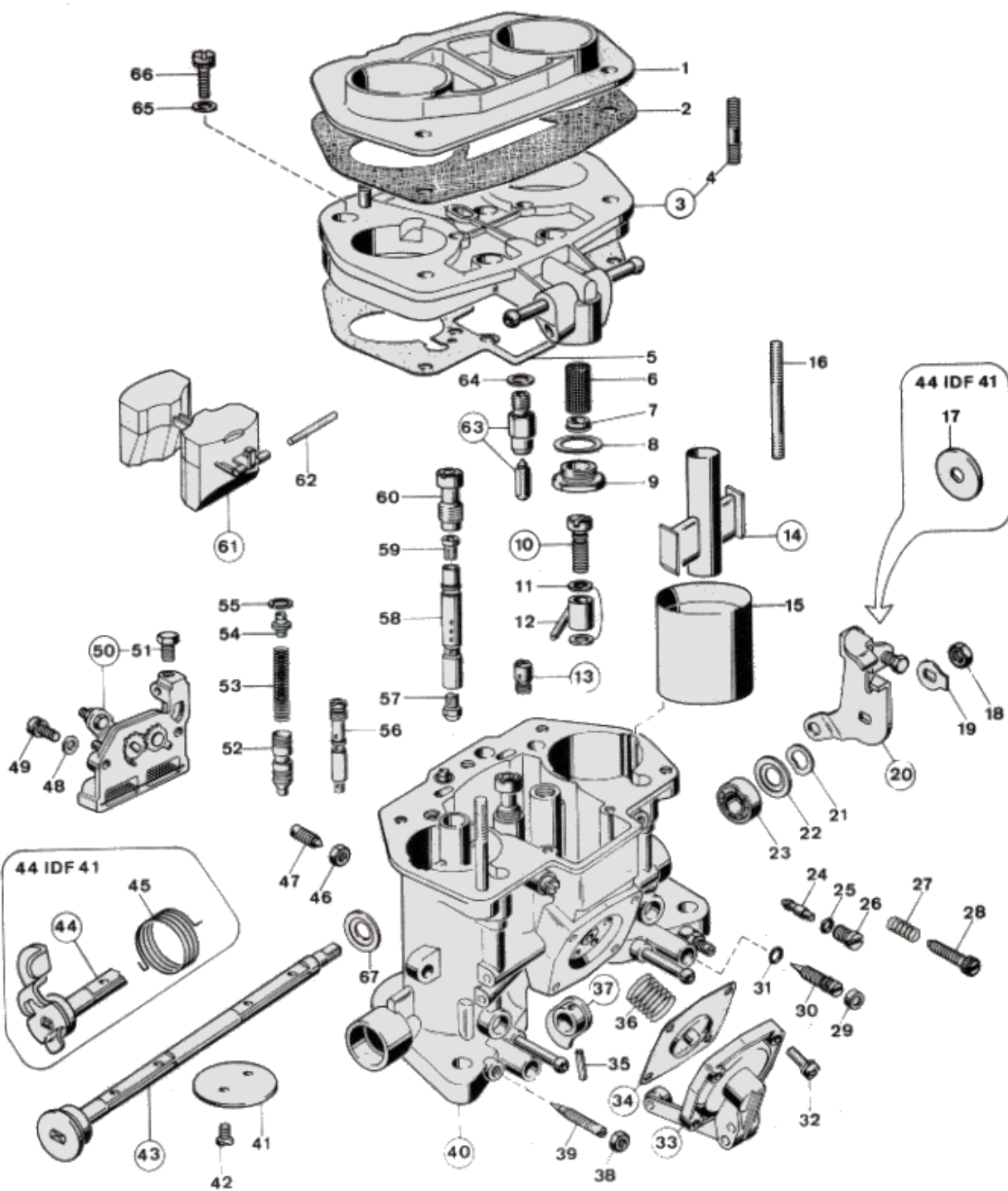




# WEBER 44 IDF 40/41



## Exploded view



<https://www.carbparts.eu>

Los precios y la disponibilidad de los productos están sujetos a cambios



# WEBER 44 IDF 40/41

## Lista de partes



No	Parte No	Precio	Pcs	Descripción
1	52848.007	-	1	Air Horn
2	41655.020	\$ 4	1	Air Horn Gasket
3	31716.380	-	1	Carburetor cover Assy, including:
4	64955.104	-	2	Stud
5	41705.043	\$ 3.8	1	Carburetor Cover Gasket
6	37020.002	\$ 5.6	1	Fuel Filter Element
7	61060.001	-	1	Filter Washer
8	41530.024	-	1	Fuel Filter Gasket
9	61002.010	\$ 7.3	1	Fuel Filter Cover
10	64290.016	\$ 34.2	2	Pump Demand Valve
11	41530.012	-	4	Pump jet gasket
12	76210.040	\$ 17.3	2	Pump jet
13	79701.000	\$ 10.9	1	Back bleed valve
14	71102.450	\$ 63.6	2	Auxiliary Venturi
15	71507.340	\$ 23.8	2	Choke tube
16	64955.113	-	2	Stud
17	55555.005	\$ 2.5	1	Shaft Spacer
18	34710.003	\$ 1.1	1	Throttle Spindle Nut
19	55520.004	\$ 1.1	1	Throttle Shaft Lock Washer
20	45048.078	-	1	Throttle control lever
21	55530.005	\$ 6.3	1	Spring Ring
22	58000.015	\$ 4.1	1	Spring Retaining Cover
23	32650.001	\$ 4.9	1	Throttle Shaft Bearing
24	74405.055	\$ 3.8	2	Idle Jet
25	41565.002	-	2	O-Ring For Idle Jet Holder
26	52570.006	\$ 7.3	2	Idle Jet Holder
27	47600.007	\$ 2.6	1	Idle Mixture Screw Spring
28	64585.005	-	1	Throttle stop screw
29	61075.013	\$ 7.1	2	Idle mixture tamper proof plug
30	64750.051	\$ 13.9	2	Idling adjusting screw
31	41565.010	-	2	Idle Mixture Screw O Ring
32	64700.004	\$ 3	4	Pump Cover Screw
33	32486.071	-	1	Accelerator Pump Cover
34	47407.027	\$ 11.3	1	Pump diaphragm

No	Parte No	Precio	Pcs	Descripción
35	58445.001	-	1	Fixing Pin
36	47600.028	\$ 4	1	Diaphragm Loading Spring
37	14852.007	-	1	Pump Cam
38	34705.006	-	2	Air By-Pass Screw Locking Nut
39	64750.029	\$ 9.4	2	Air by-pass screw
40	-	-	1	Carburetor Body
41	64005.103	\$ 13.8	2	Throttle Valve
42	64520.027	-	4	Throttle plate screw
43	10020.419	-	1	Throttle Shaft
44	10020.420	-	1	Throttle Shaft
45	47610.035	\$ 9.4	1	Throttle Return Spring
46	55510.038	-	2	Flat Washer
46	34715.015	-	2	Fixing Nut
47	64830.002	\$ 5	2	Choke Tube Fixing Screw
48	55510.038	-	2	Flat Washer
49	64700.004	\$ 3	2	Pump Cover Screw
50	32556.005	-	1	— Cold Start Unit
51	64605.017	\$ 1.7	1	— Choke Cable Clamp
52	64330.009	\$ 8.7	2	Starter Valve
53	47600.133	\$ 3.4	2	Starter Valve Spring
54	12775.024	\$ 4.4	2	Spring guide and retainer
55	10140.002	\$ 3.5	2	Spring Clip
56	75605.090	\$ 12.4	2	Starter Jet
57	73401.145	\$ 4	2	Main Jet
58	61450.210	\$ 15	2	Emulsion Tube
59	77401.180	\$ 4.8	2	Air Correction Jet
60	52580.001	\$ 6.9	2	Emulsion Tube Holder
61	41030.008	\$ 11.9	1	Float
62	52000.001	\$ 2.4	1	Float Fulcrum Pin
63	79411.175	-	1	Float valve
64	83102.070	-	1	Needle valve gasket
65	55510.034	-	5	Spring Washer
66	64700.005	-	5	Top Cover Fixing Screw
67	58000.016	\$ 4.1	1	Spring Retaining Cover

<https://www.carbparts.eu>

Los precios y la disponibilidad de los productos están sujetos a cambios