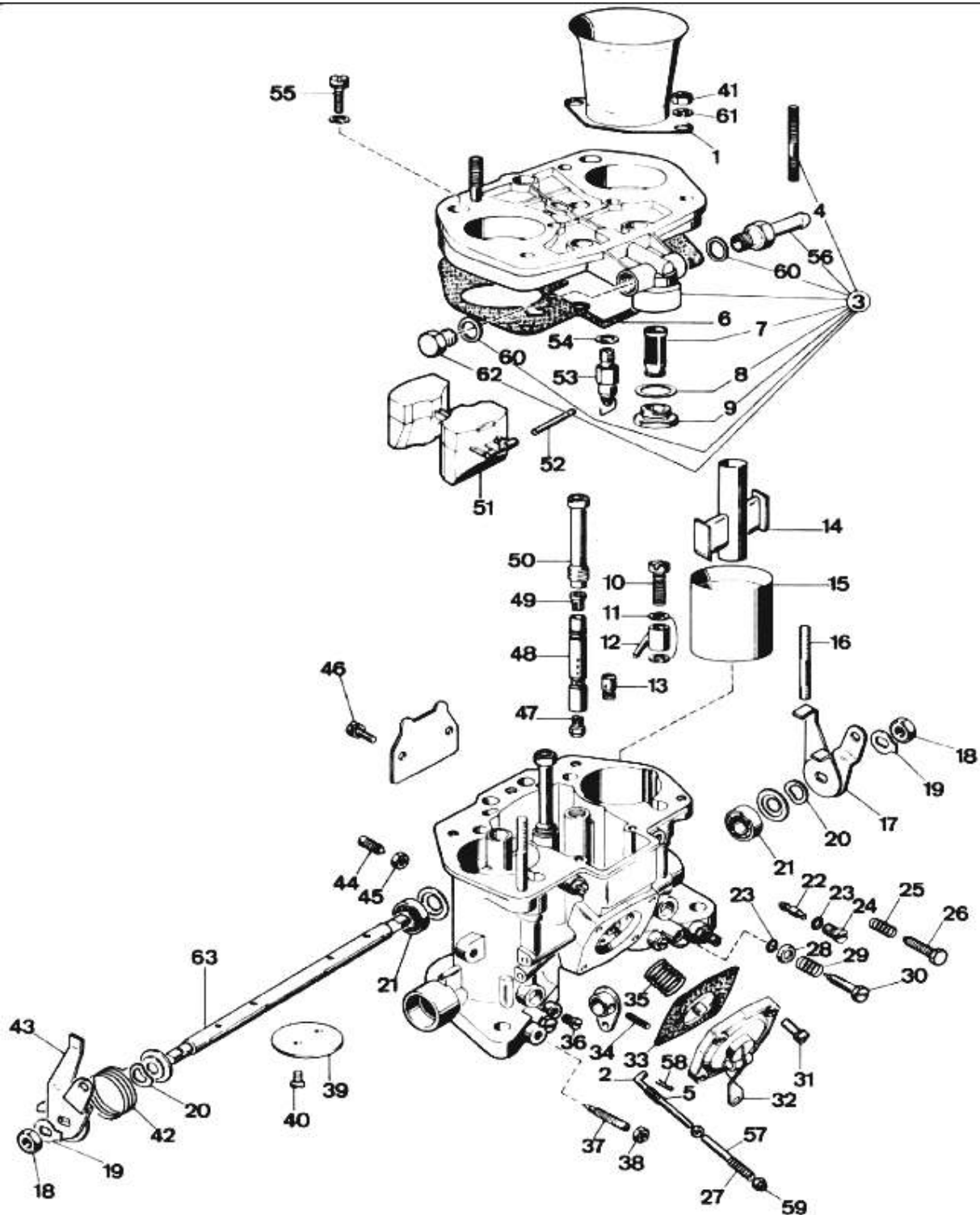




WEBER 44 IDF 71 - exploded view



<https://www.carbparts.eu>

Prices and product availability are subject to change



CarbDeal
Selling carburetor parts since 2005



WEBER 44 IDF 71 - Parts list

| No | Part No | Price | Pcs | Description | No | Part No | Price | Pcs | Description |
|----|------------|--------|-----|---------------------------------|----|-----------|--------|-----|-------------------------------|
| 1 | 52845.014 | £ 14.2 | 2 | Air Intake Horn | 33 | 47407.207 | £ 6.5 | 1 | Pump Diaphragm |
| 2 | 61285.042 | £ 0 | 1 | Pump Control Rod | 34 | 58445.001 | £ 0.4 | 1 | Spring Pin |
| 3 | 93.0074.05 | £ 0 | 1 | Carburetor Cover | 35 | 47600.250 | £ 4.3 | 1 | Pump Diaphragm Spring |
| 4 | 64955.108 | £ 3.9 | 2 | Stud Bolt | 36 | 61015.005 | £ 2.4 | 3 | Vacuum Take-Off Cover |
| 5 | 47600.252 | £ 0 | 1 | Pump Control Rod Spring | 37 | 64750.029 | £ 5.4 | 2 | Air Adjusting Screw |
| 6 | 41705.086 | £ 1.4 | 1 | Carburetor Cover Gasket | 38 | 34705.001 | £ 0.7 | 2 | Air Adjusting Screw Nut |
| 7 | 37022.002 | £ 3.2 | 1 | Fuel Filter | 39 | 64005.103 | £ 19.1 | 2 | Throttle Valve |
| 8 | 41530.024 | £ 0.2 | 1 | Fuel Filter Plug Gasket | 40 | 64520.027 | £ 0.5 | 4 | Throttle Valve Fixing Screw |
| 9 | 61002.010 | £ 5.4 | 1 | Fuel Filter Plug Gasket | 41 | 34705.004 | £ 0.5 | 4 | Air Horn Nut |
| 10 | 64290.016 | £ 14.5 | 2 | Pump Demand Valve | 42 | 47610.035 | £ 5.4 | 1 | Throttle Return Spring |
| 11 | 41540.014 | £ 2.1 | 4 | Pump Jet Gasket | 43 | 45034.109 | £ 45 | 1 | Throttle Valve Control Lever |
| 12 | 76210 | £ 11 | 2 | Pump Jet | 44 | 64830.002 | £ 10.4 | 2 | Choke Fixing Screw |
| 13 | 79701 | £ 5.7 | 1 | Pump Exhaust Valve | 45 | 34715.010 | £ 0 | 2 | Choke Fixing Screw Nut |
| 14 | 71102 | £ 0 | 2 | Auxiliary Venturi | 46 | 64700.013 | £ 2.9 | 2 | Starting Plate Fixing Screw |
| 15 | 71507 | £ 25.2 | 2 | Venturi (Choke Tube) | 47 | 73401 | £ 10.8 | 2 | Main Jet |
| 16 | 64955.110 | £ 0.3 | 2 | Stud Bolt | 48 | 61450 | £ 20.9 | 2 | Emulsion tube |
| 17 | 45034.110 | £ 45 | 1 | Throttle Valve Control Lever | 49 | 77401 | £ 3.7 | 2 | Air Correction Jet |
| 18 | 34710.003 | £ 0.9 | 2 | Shaft Fixing Nut | 50 | 52580.006 | £ 6.1 | 2 | Emulsion Tube Holder |
| 19 | 55520.004 | £ 0.9 | 2 | Lock Washer | 51 | 41030.008 | £ 6.8 | 1 | Float |
| 20 | 55530.005 | £ 3.2 | 2 | Spring Ring | 52 | 52000.001 | £ 1.4 | 1 | Float Pin |
| 21 | 32650.003 | £ 0 | 2 | Bearing | 53 | 79511 | £ 6.8 | 1 | Needle Valve |
| 22 | 74405 | £ 2.2 | 2 | Idle Jet | 54 | 83102.100 | £ 1.4 | 1 | Needle Valve Gasket |
| 23 | 41565.002 | £ 0.4 | 4 | Idle Jet O Ring | 55 | 64700.005 | £ 0.5 | 5 | Carburetor Cover Fixing Screw |
| 24 | 52570.006 | £ 5.4 | 2 | Idle Jet Holder | 56 | 10525.023 | £ 2.1 | 1 | Fuel Inlet Pipe |
| 25 | 47600.007 | £ 1.9 | 1 | Throttle Adjusting Screw Spring | 57 | 12750.126 | £ 0 | 1 | Pumping Extension Bushing |
| 26 | 64625.015 | £ 4.7 | 1 | Throttle Adjusting Screw | 58 | 32610.003 | £ 1.2 | 1 | Spring Cup |
| 27 | 47600.251 | £ 11.2 | 1 | Pump Rod Spring | 59 | 34725.008 | £ 0 | 1 | Pump Rod Nut |
| 28 | 58000.006 | £ 1.6 | 2 | Mixture Screw O Ring Cap | 60 | 41535.003 | £ 1.5 | 2 | Fuel Intake Coupling Gasket |
| 29 | 47600.062 | £ 2.4 | 2 | Mixture Screw Spring | 61 | 55555.056 | £ 0 | 4 | Air Horn Washer |
| 30 | 64755.013 | £ 0 | 2 | Mixture Screw | 62 | 61002.022 | £ 7.2 | 1 | Threaded Cap |
| 31 | 64700.004 | £ 1.7 | 4 | Pump Cover Screw | 63 | 10005.243 | £ 29.8 | 1 | Throttle Shaft |
| 32 | 32486.085 | £ 0 | 1 | Pump Cover | | | | | |

<https://www.carbparts.eu>

Prices and product availability are subject to change

