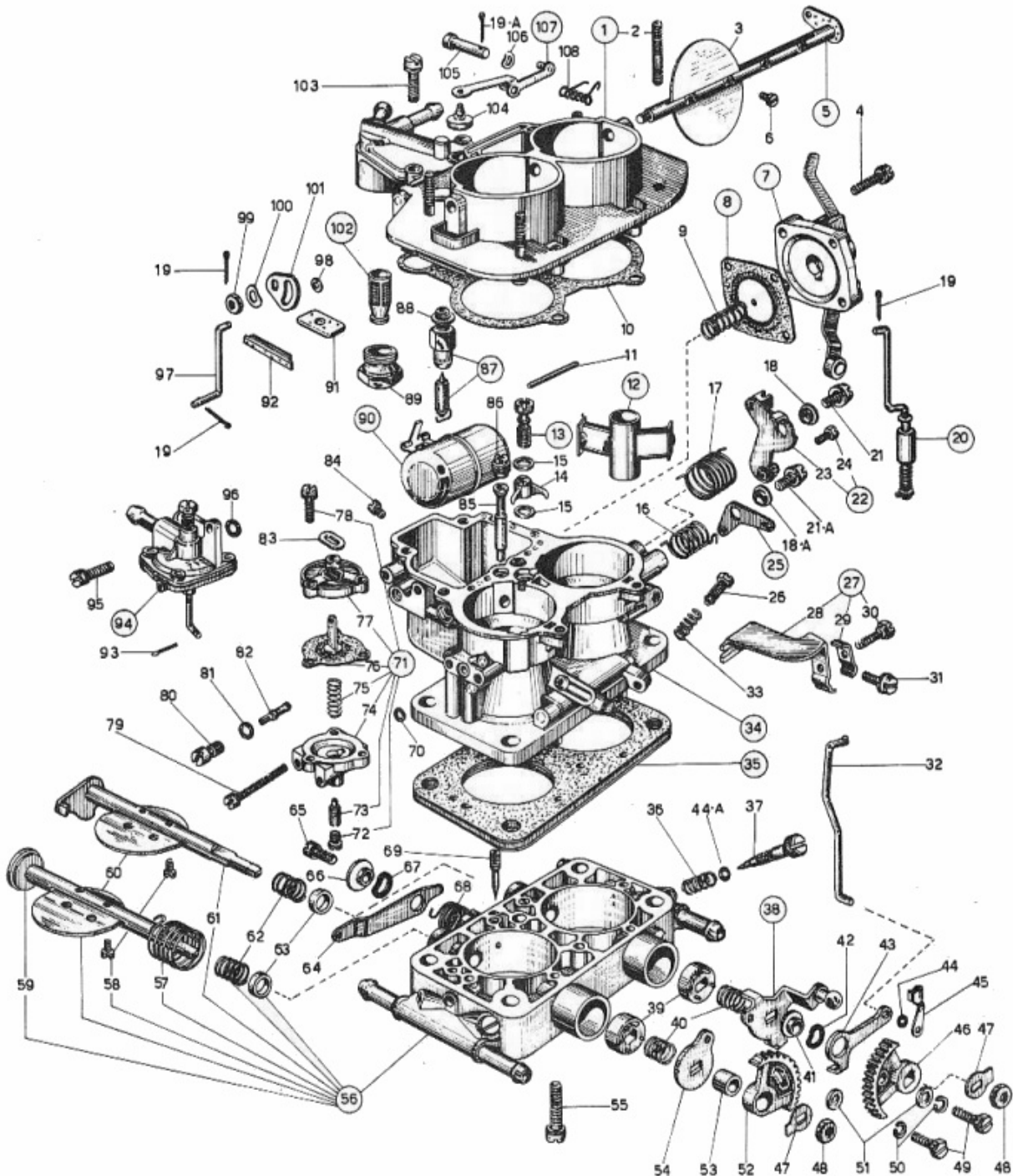




# WEBER 45 DFC 1

*Exploded view*



<https://www.carbparts.eu>

Prices and product availability are subject to change



# WEBER 45 DFC 1

## List of parts



No	Part No	Price	Pcs	Description
1	31716.116	\$ 0	1	Carburetor cover Assy, including:
2	64955.007	\$ 12.8	4	Inspection cover stud
3	64045.032	\$ 0	2	Choke throttle valve
4	64700.004	\$ 3.2	4	Pump Cover Screw
5	10020.219	\$ 0	1	Choke shaft
6	64525.003	\$ 0	4	Choke plate fixing screw
7	32486.038	\$ 0	1	Accelerator Pump Cover
8	47407.027	\$ 11.9	1	Pump diaphragm
9	47600.092	\$ 0	1	Pump Spring
10	41705.033	\$ 6.8	1	Top Cover Gasket
11	52000.015	\$ 2	1	Float pivot
12	31966.009	\$ 0	2	Auxiliary venturi
13	64290.015	\$ 0	1	Valve
14	41252.013	\$ 12.4	1	Pump Jet
15	41530.012	\$ 0	2	Pump jet gasket
16	47610.033	\$ 0	1	Lever return spring
17	47610.003	\$ 5.4	1	Choke lever return spring
18-A	12775.010	\$ 9.6	1	Bushing For Lever
18-B	12775.010	\$ 9.6	1	Bushing For Lever
19-A	32610.005	\$ 1.5	1	Spilt pin
19-B	32610.005	\$ 1.5	3	Spilt pin
20	61287.007	\$ 0	1	Choke rod
21-A	64700.012	\$ 3.1	1	Lever Fixing Screw
21-B	64700.012	\$ 3.1	1	Lever Fixing Screw
22	45202.050	\$ 0	1	Choke Lever - Including
23	45202.049	\$ 0	1	— Throttle Lever
24	64615.004	\$ 0	1	- Screw securing wire
25	45103.022	\$ 0	1	Lever
26	64625.007	\$ 0.1	1	Throttle Adjustment Screw
27	58702.020	\$ 0	1	Sheat support Assy, including:
28	58700.024	\$ 0	1	- Sheat support
29	52145.004	\$ 0	1	- Sheat securing plate
30	64615.007	\$ 0	1	- Screw securing wire
31	64700.012	\$ 3.1	1	Lever Fixing Screw
32	61280.071	\$ 0	1	Tie rod
33	47600.007	\$ 2.5	1	Throttle Stop Screw Spring
34	NON A F	\$ 0	1	Carburetor Body
35	39152.010	\$ 0	1	Base Spacer Heat Gasket
36	47600.095	\$ 2.6	2	Idle Mixture Screw Spring
37	64750.026	\$ 0	2	Idle Mixture Screw
38	45034.061	\$ 0	1	Throttle Valve Control Lever
39	50002.005	\$ 8.4	2	Shaft Bushing
40	47600.027	\$ 5.2	2	Bush retaining spring
41	12775.042	\$ 0	1	Bushing
42	55530.002	\$ 3.3	1	Wavy Washer
43	45067.020	\$ 0	1	Fast idling loose lever
44	41565.010	\$ 0	1	Idle Mixture Screw O Ring
44-A	41565.010	\$ 0	2	Idle Mixture Screw O Ring
45	47670.003	\$ 4.9	1	Rod Clamp
46	58202.019	\$ 63.3	1	Primary Toothed Sector
47	55520.004	\$ 1.1	2	Throttle Shaft Lock Washer
48	34710.003	\$ 1.1	2	Throttle Spindle Nut
49	64615.002	\$ 0	2	Vite fissaggio settori dentati
50	55525.001	\$ 0	2	Spring Washer

No	Part No	Price	Pcs	Description
51	55510.046	\$ 2.4	2	Washer for loose lever
52	58202.020	\$ 32.8	1	Throttle Shaft Gear
53	12750.046	\$ 0	1	Boccola per settore dentato
54	45025.102	\$ 0	1	Leva comando settore dentato
55	64700.018	\$ 0	2	Fixing Screw
56	67016.006	\$ 0	1	Zoccolo carburatore completo di :
57	47610.077	\$ 0	1	— Molla ritorno alberino
58	64520.027	\$ 0.7	4	Throttle plate screw
59	10015.226	\$ 0	1	Secondary Throttle Shaft
60	64005.040	\$ 0	2	— Throttle valve
61	10015.242	\$ 0	1	Primary Throttle Shaft
62	47600.027	\$ 5.2	2	Bush retaining spring
63	12750.085	\$ 4.2	2	Bushing
64	45067.025	\$ 0	1	Leva allentata minimo accelerato
65	64700.012	\$ 3.1	1	Lever Fixing Screw
66	12775.050	\$ 0	1	Boccola per leva minimo accelerato
67	55530.011	\$ 0	1	Wavy Washer
68	47610.085	\$ 0	1	Molla per leva minimo accelerato
69	64595.010	\$ 0	2	Air by-pass screw
70	41565.008	\$ 0.9	1	O ring
71	57804.040	\$ 0	1	Dispositivo sgolfamento comprendente:
72	61015.003	\$ 0	1	— Tappo a vite
73	64595.005	\$ 10	1	— Diaphragm adjusting screw
74	57804.039	\$ 0	1	— Scatola sgolfamento
75	47600.070	\$ 0	1	— Diaphragm loading spring
76	47407.049	\$ 0	1	— Choke diaphragm
77	32384.019	\$ 0	1	— Coperchio membrana
78	84700.004	\$ 0	3	— Vite fissaggio coperchio membrana
79	64700.021	\$ 7.4	2	Fixing Screw
80	52570.006	\$ 7.1	2	Idle Jet Holder
81	41565.002	\$ 0.4	2	O-Ring For Idle Jet Holder
82	41160.003	\$ 3.3	2	Idle jet
83	52135.019	\$ 0	1	Dust seal plate
84	41120.001	\$ 4.2	2	Main jet
85	61440.153	\$ 0	2	Emulsion Tube
86	41360.001	\$ 3.3	2	Air bleed jet
87	64240.008	\$ 0	1	Float valve
88	41535.015	\$ 0.3	1	Needle valve gasket
89	61002.018	\$ 11.9	1	Fuel Filter Cover
90	41015.014	\$ 0	1	Float
91	52135.010	\$ 3.3	2	Dust seal plate
92	61070.002	\$ 3.3	2	Dust seal plug
93	32610.005	\$ 1.5	1	Spilt pin
94	31800.011	\$ 0	1	Capsula minimo accelerato
95	64700.002	\$ 0	2	Fixing Screw
96	41565.008	\$ 0.9	1	O ring
97	61280.073	\$ 0	1	Tirantino comando sgolfamento
98	55510.080	\$ 0	1	Spring Washer
99	34715.006	\$ 0	1	— Cold Start Nut
100	55530.008	\$ 4	1	Spring Ring
101	45129.010	\$ 0	1	Lever
102	37022.002	\$ 5.8	1	Filter element
103	64700.005	\$ 0.6	6	Top Cover Fixing Screw
104	61065.006	\$ 0	1	Tappo sfiato vaschetta

<https://www.carbparts.eu>

Prices and product availability are subject to change



# WEBER 45 DFC 1

## List of parts



No	Part No	Price	Pcs	Description
105	52010.092	\$ 0	1	Pin
106	55530.006	\$ 0	1	— Wavy Washer

No	Part No	Price	Pcs	Description
107	45145.002	\$ 0	1	Leva comando sfiato vaschetta
108	47610.046	\$ 0	1	Spring

<https://www.carbparts.eu>

Prices and product availability are subject to change