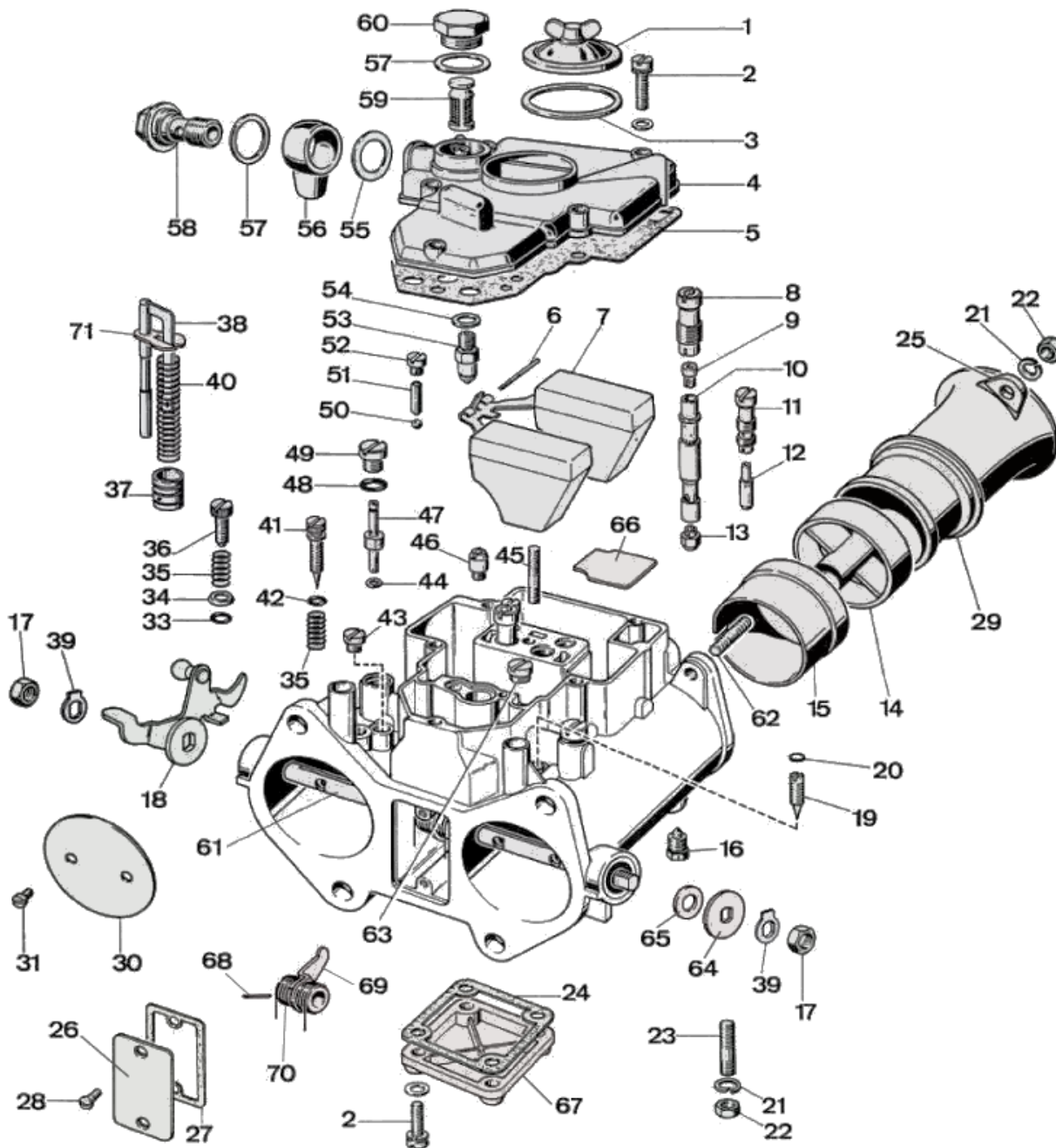




# WEBER 48 DCO SP

## Exploded view



<https://www.carbparts.eu>

Los precios y la disponibilidad de los productos están sujetos a cambios



# WEBER 48 DCO SP

## Lista de partes



No	Parte No	Precio	Pcs	Descripción
1	32376.003	\$ 11.4	1	Jet Inspection Cover
2	64700.001	-	9	Screw
3	41550.009	-	1	Jet Inspection Cover Gasket
4	31734.199	\$ 81.5	1	Carburetor Cover
5	41715.011	\$ 2.5	1	Carburetor Cover Gasket
6	52000.001	\$ 2.4	1	Float
7	41030.034	\$ 14.4	1	Float Pin
8	52580.001	\$ 6.9	2	Emulsion Tube Holder
9	77401.160	\$ 4.8	2	Air Corrector
10	61450.091	\$ 10.1	2	Emulsion Tube
11	52585.006	\$ 8.2	2	Idle Jet Holder
12	74821.065	\$ 5	2	Idle Jet
13	73401.180	\$ 4	2	Main Jet
14	68820.500	\$ 64.3	2	Auxiliary Venturi
15	72136.420	\$ 17.6	2	Venturi (Choke Tube)
16	64840.003	\$ 5	4	Screw
17	34710.003	\$ 1.1	1	Throttle Nut
18	45041.145	-	1	Throttle Lever
19	64595.012	-	2	Air By-Pass Screw
20	61030.008	-	2	Air By-Pass Screw Cover
21	55525.010	-	5	Spring Washer
22	34705.004	-	5	Support Bracket Fixing Nut
23	64955.104	-	1	Support Bracket Stud
24	41640.066	\$ 2.7	1	Bottom Cover Gasket
25	52135.053	\$ 12.8	4	Air Horn Tab
26	52135.025	-	1	Inspection Cover
27	41640.065	-	1	Inspection Cover Gasket
28	64570.009	-	2	Inspection Cover Fixing Screw
29	52840.034	\$ 23.8	1	Air Horn
30	64005.108	\$ 13.8	2	Throttle Plate
31	64520.027	-	4	Throttle Plate Fixing Screw
32	64955.110	-	4	Stud
33	41565.002	-	1	Throttle Stop Screw 'O' Ring
34	58000.006	\$ 2.1	1	Throttle Stop Screw 'O' Ring Cap
35	47600.007	\$ 2.5	3	Mixture Screw Spring
36	64625.015	\$ 6.2	1	Throttle Stop Screw

No	Parte No	Precio	Pcs	Descripción
37	58602.003	\$ 9.4	1	Pump Plunger
38	10410.015	\$ 8.7	1	Pump Rod
39	55520.004	\$ 1.1	2	Throttle Lock Washer
40	47600.068	\$ 6.9	1	Pump Rod Spring
41	64750.058	\$ 7.5	2	Mixture Screw
42	41565.015	-	2	Mixture Screw 'O' Ring
43	64590.008	\$ 8.7	2	Vacuum Take Off Cover
44	41535.021	\$ 1.2	2	Pump Jet Gasket
45	64955.007	\$ 13	1	Stud
46	79701.100	\$ 17.5	1	Pump Exhaust Valve
47	76801.045	\$ 7	2	Pump Jet
48	41565.009	-	2	Pump Jet Cover 'O' Ring
49	61015.008	\$ 11.3	2	Pump Jet Cover Screw
50	58300.003	-	2	Pump Demand Valve Ball
51	52730.001	\$ 4.9	2	Pump Demand Valve Weight
52	61015.006	\$ 4.9	2	Pump Demand Valve Cover
53	79503.250	\$ 11.9	1	Needle Valve
54	83102.100	-	1	Needle Valve Gasket
55	41530.031	-	1	Fuel Union Gasket
56	10354.019	\$ 25.7	1	Fuel Union
57	41530.024	-	2	Fuel Union and Filter Cover Gasket
58	12715.008	\$ 8.6	1	Fuel Union Bolt
59	37022.002	\$ 5.5	1	Fuel Filter
60	61002.010	\$ 6.9	1	Fuel Filter Cover
61	10020.424	-	1	Throttle Shaft
62	64955.110	-	4	Stud
63	61015.009	\$ 7.5	2	Progression Hole Inspection Cover
64	55555.010	\$ 2.5	1	Washer
65	55510.128	\$ 3.1	2	Washer
66	52130.003	\$ 2.5	1	Plate
67	32374.008	\$ 17.8	1	Bottom Cover
68	58445.001	-	1	Pin
69	45082.020	-	1	Pump Cam
70	47605.028	\$ 11.3	1	Throttle Return Spring
71.		-		

<https://www.carbparts.eu>

Los precios y la disponibilidad de los productos están sujetos a cambios