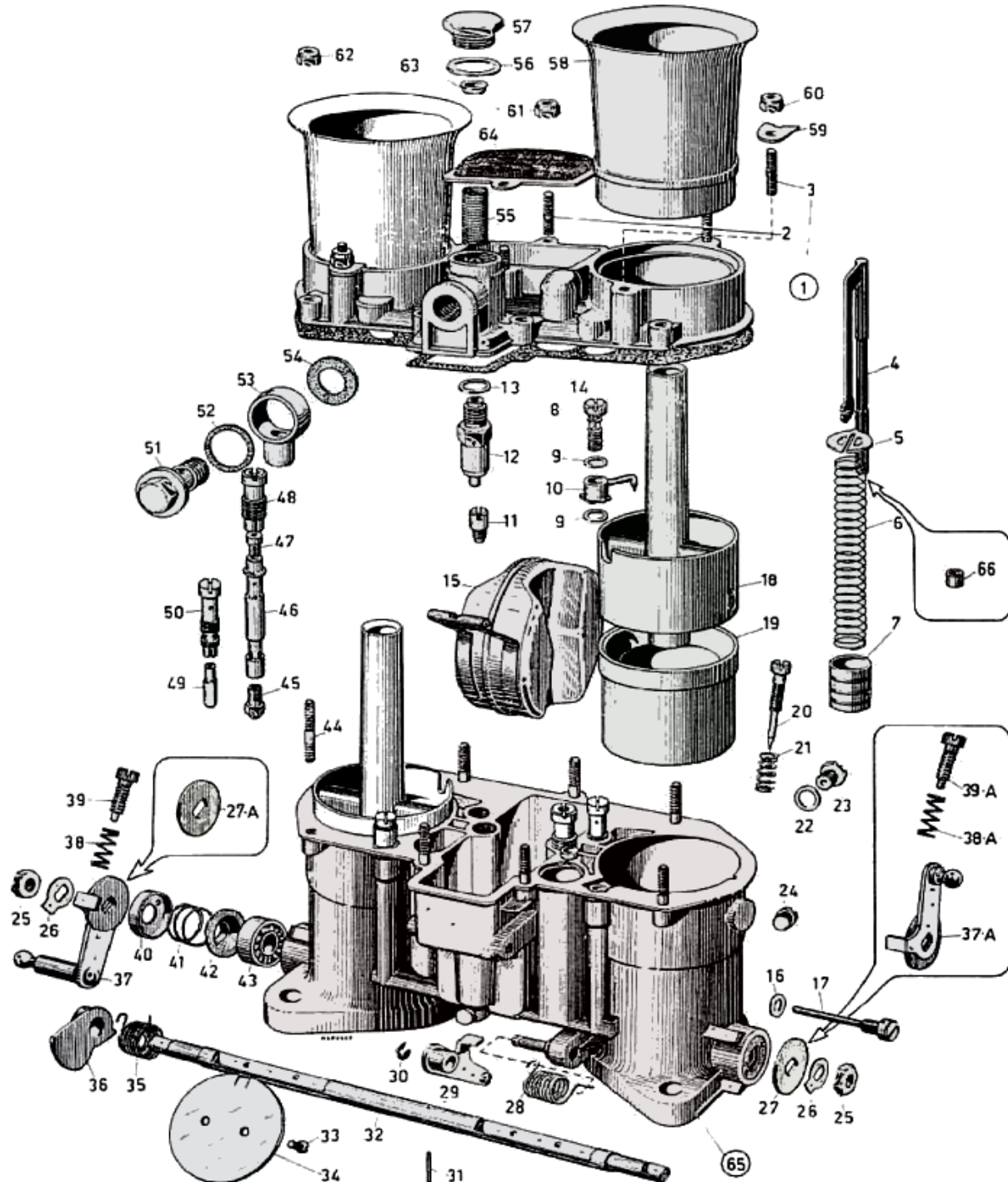




WEBER 48 IDA

Exploded view



<https://www.carbparts.eu>

Prices and product availability are subject to change



WEBER 48 IDA

List of parts



| No | Part No | Price | Pcs | Description |
|----|------------|---------|-----|---------------------------------|
| | 92.0034.05 | \$ 0 | 1 | Gasket Set |
| | 92.1050.05 | \$ 0 | 1 | Repair Kit |
| 1 | 31716.056 | \$ 0 | 1 | Carburetor Top Cover |
| 2 | 64955.009 | \$ 5 | 2 | Stud |
| 3 | 64955.003 | \$ 0 | 4 | Stud |
| 4 | 10410.021 | \$ 31.7 | 1 | Pump Rod |
| 5 | 52140.007 | \$ 6.8 | 1 | Spring Retaining Clip |
| 6 | 47600.103 | \$ 2.5 | 1 | Pump Spring |
| 7 | 58602.005 | \$ 17 | 1 | Pump Plunger |
| 8 | 64290.003 | \$ 27.5 | 2 | Pump Demand Valve |
| 9 | 41530.012 | \$ 0 | 4 | Pump Jet 'O' Ring |
| 10 | 76402.050 | \$ 35.4 | 2 | Pump Jet |
| 11 | 79701.000 | \$ 10.5 | 1 | Pump Exhaust Valve |
| 12 | 79504.200 | \$ 17.8 | 1 | Needle Valve |
| 13 | 41530.032 | \$ 0 | 1 | Needle Valve 'O' Ring |
| 14 | 41705.021 | \$ 6.6 | 1 | Top Cover Gasket |
| 15 | 41015.007 | \$ 31.7 | 1 | Float |
| 16 | 41530.017 | \$ 0 | 1 | O' Ring |
| 17 | 64900.012 | \$ 23.4 | 1 | Float Spindle |
| 18 | 69009.450 | \$ 63.2 | 2 | Auxiliary Venturi |
| 19 | 72128.370 | \$ 0 | 2 | Venturi (Choke Tube) |
| 20 | 64750.007 | \$ 17.4 | 2 | Idle Mixture Screw |
| 21 | 47600.007 | \$ 2.5 | 2 | Idle Mixture Screw Spring |
| 22 | 41530.008 | \$ 0 | 1 | O' ring |
| 23 | 61002.006 | \$ 4.6 | 1 | Threaded Cover |
| 24 | 61015.001 | \$ 10.3 | 2 | Progression Hole Inspection Cvr |
| 25 | 34710.003 | \$ 1.1 | 2 | Throttle Shaft Nut |
| 26 | 55520.004 | \$ 1.1 | 2 | Lock Washer |
| 27 | 55555.010 | \$ 2.6 | 1 | Washer |
| 28 | 47610.066 | \$ 6 | 1 | Throttle Return Spring |
| 29 | 45034.074 | \$ 65 | 1 | Pump Lever |
| 30 | 10140.502 | \$ 2.3 | 1 | Spring Washer |
| 31 | 58445.001 | \$ 0.4 | 1 | Pin |
| 32 | 10005.425 | \$ 49.3 | 1 | Throttle Shaft |

| No | Part No | Price | Pcs | Description |
|----|-----------|---------|-----|----------------------------|
| 33 | 64570.006 | \$ 3.3 | 4 | Throttle Shaft Screws |
| 34 | 64005.091 | \$ 32.7 | 2 | Throttle Valves |
| 35 | 47610.067 | \$ 6 | 1 | Throttle Return Spring |
| 36 | 14852.001 | \$ 0 | 1 | Cam |
| 37 | 45034.066 | \$ 0 | 1 | Throttle Lever |
| 38 | 47600.007 | \$ 2.5 | 1 | Throttle Stop Screw Spring |
| 39 | 64590.002 | \$ 10 | 1 | Throttle Stop Screw |
| 40 | 48000.007 | \$ 0 | 2 | Compression Spring Cover |
| 41 | 47600.063 | \$ 2.1 | 2 | Compression Spring |
| 42 | 41570.001 | \$ 1.1 | 2 | Dust Cap |
| 43 | 32650.001 | \$ 5.2 | 2 | Roller Bearing |
| 44 | 64955.012 | \$ 0 | 7 | Stud |
| 45 | 73401.135 | \$ 3.8 | 2 | Main Jet |
| 46 | 61450.091 | \$ 10.6 | 2 | Emulsion Tube |
| 47 | 77401.120 | \$ 3.8 | 2 | Air Corrector Jet |
| 48 | 52580.001 | \$ 7.3 | 2 | Emulsion Tube Holder |
| 49 | 74823.070 | \$ 4.9 | 2 | Idle Jet |
| 50 | 77903.120 | \$ 25.4 | 2 | Idle Jet Holder |
| 51 | 12715.008 | \$ 9 | 1 | Fuel Rail Bolt |
| 52 | 41530.024 | \$ 0.3 | 1 | Gasket |
| 53 | 10354.001 | \$ 0 | 1 | Fuel Banjo |
| 54 | 41530.031 | \$ 0.3 | 1 | Gasket |
| 55 | 37020.005 | \$ 5.7 | 1 | Fuel Filter Element |
| 56 | 41530.024 | \$ 0.3 | 1 | Fuel Filter Cover Gasket |
| 57 | 61002.010 | \$ 7 | 1 | Fuel Filter Cover |
| 58 | 52840.027 | \$ 40 | 2 | Air Horn |
| 59 | 52150.015 | \$ 1.3 | 4 | Air Horn Fixing Tab |
| 60 | 34725.003 | \$ 0.7 | 4 | Air Horn Fixing Tab Nut |
| 61 | 34725.003 | \$ 0.7 | 2 | Gauze Cover Nut |
| 62 | 34725.003 | \$ 0.7 | 7 | Carburetor Top Cover Nut |
| 63 | 12775.026 | \$ 3.2 | 1 | Filter Locating Ring |
| 64 | 37012.004 | \$ 38.2 | 1 | Gauze Cover |
| 65 | | \$ 0 | 1 | Carburerot boy |
| 66 | 12750.077 | \$ 0 | 1 | Pump Rod Bush |

<https://www.carbparts.eu>

Prices and product availability are subject to change