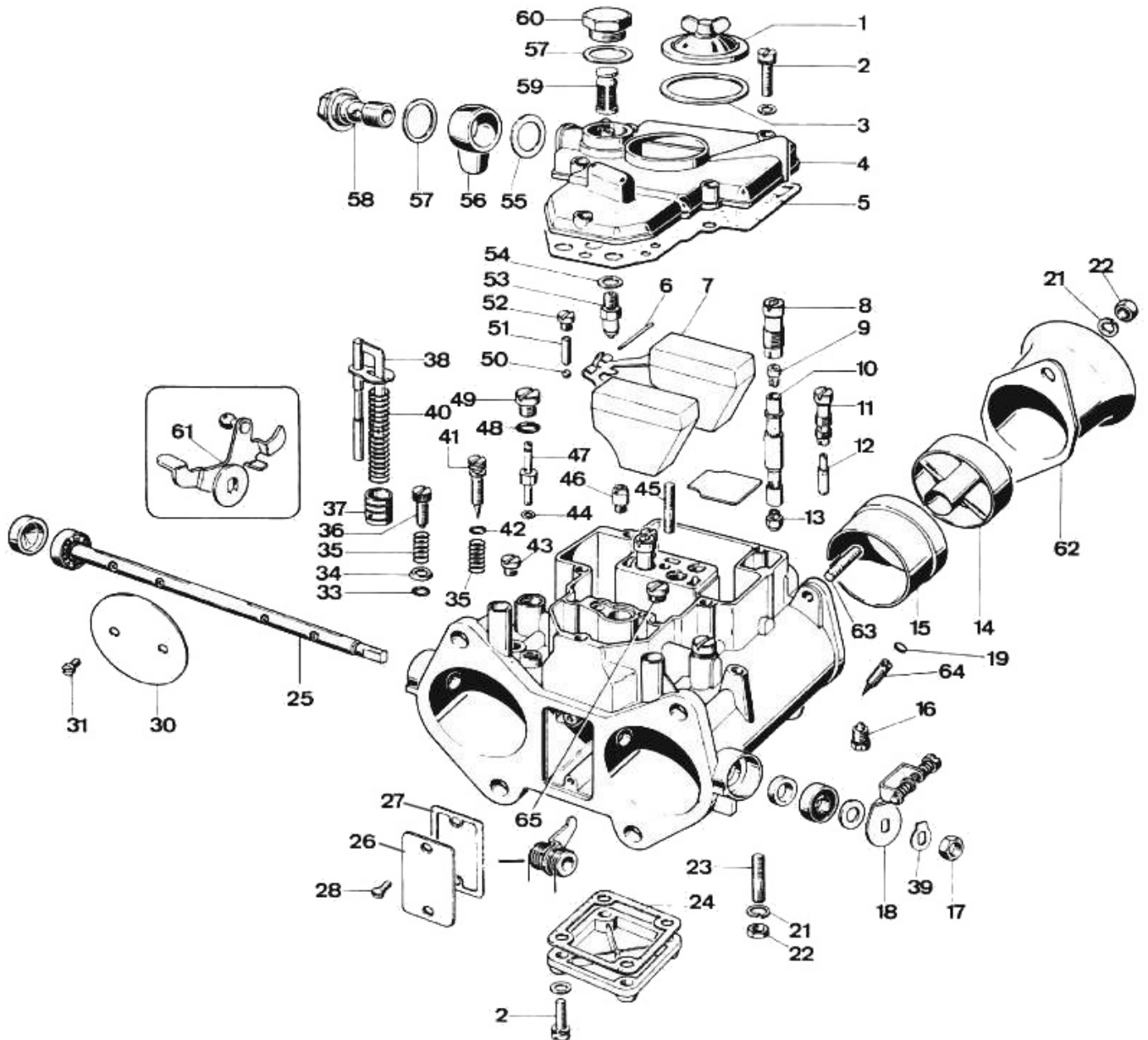




## WEBER 50 DCO - exploded view



<https://www.carbparts.eu>

Prices and product availability are subject to change



**CarbDeal**  
Selling carburetor parts since 2005



## WEBER 50 DCO - Parts list

No	Part No	Price	Pcs	Description	No	Part No	Price	Pcs	Description
	92.0362.05	€ 0	1	Gasket Kit	34	58000.006	€ 1.8	1	Throttle Stop Screw O Ring Cap
	92.1514.05	€ 0	1	Repair Kit	35	47600.007	€ 2.2	3	Mixture Screw Spring
1	32376.003	€ 7.9	1	Jet Inspection Cover	36	64625.015	€ 5.5	1	Throttle Stop Screw
2	64700.001	€ 0.5	9	Screw	37	58602.003	€ 7.3	1	Pump Plunger
3	41550.009	€ 0	1	Jet Inspection Cover Gasket	38	10410.015	€ 7.5	1	Pump Rod
4	31734.194	€ 0	1	Carburetor Cover-50 DCO 1/SP	39	55520.004	€ 1	1	Throttle Shaft Lock Washer
4	31734.193	€ 0	1	Carburetor Cover-50 DCO SP	40	47600.068	€ 4.6	1	Pump rod Spring
5	41715.011	€ 1.7	1	Carburetor Cover Gasket	41	64750.058	€ 5	2	Mixture Screw
6	52000.001	€ 1.6	1	Float Pin	42	41565.015	€ 0	2	Mixture Screw O Ring
7	41030.034	€ 9.6	1	Float	43	61015.009	€ 5	2	Vacuum Take-Off cover
8	52580.001	€ 4.6	2	Emulsion Tube Holder	44	41535.021	€ 1.1	2	Pump Jet Gasket
9	77401.160	€ 2.3	2	Air Corrector Jet	45	64955.007	€ 11.6	1	Stud
10	61450.091	€ 6.7	2	Emulsion Tube	46	79701.100	€ 15.6	1	Pump Exhaust Valve
11	52585.006	€ 5.4	2	Idle Jet Holder	47	76801.045	€ 4.8	2	Pump Jet
12	74821.065	€ 2.9	2	Idle Jet	48	41565.009	€ 0.6	2	Pump Jet Cover O ring
13	73401.180	€ 2.3	2	Main Jet	49	61015.008	€ 7.5	2	Pump Jet Cover
14	68820.500	€ 57.3	2	Auxiliary Venturi	50	58300.003	€ 2.1	2	Pump Demand Valve Ball
15	72136.460	€ 18.9	2	Venturi (Choke Tube)	51	52730.001	€ 3.3	2	Pump Demand Valve Weight
16	64840.003	€ 3.3	4	Screw	52	61015.006	€ 3.3	2	Pump Demand Valve Cover
17	34715.017	€ 1	1	Throttle Spindle Nut	53	79503.250	€ 7.2	1	Needle Valve
18	45041.270	€ 49.1	1	Throttle Lever	54	83102.100	€ 1.6	1	Needle Valve Gasket
19	61030.008	€ 0	2	Air By-Pass Screw Cover	55	41530.031	€ 0.3	1	Fuel Union Gasket
21	55525.010	€ 0.4	5	Spring Washer	56	10354.019	€ 22.9	1	Fuel Union
22	34705.004	€ 0.6	5	Support Bracket Fixing Nut	57	41530.024	€ 0.3	2	Fuel Union and Filter Cover Gasket
23	64955.104	€ 0	1	Support Bracket Stud	58	12715.008	€ 7.5	1	Fuel Union Bolt
24	41640.066	€ 2.5	1	Bottom Cover Gasket	59	37002.002	€ 0	1	Fuel Filter
25	10020.240	€ 0	1	Throttle Shaft	60	61002.010	€ 6.2	1	Fuel Filter Cover
26	52135.025	€ 0	1	Inspection cover	61	45041.269	€ 39.7	1	Throttle Lever
27	41640.065	€ 0.8	1	Inspection Cover Gasket	62	64955.101	€ 12.5	4	Stud
28	64570.009	€ 0.7	2	Inspection Cover Fixing Screw	63	52845.015	€ 0	2	Air Horn
30	64005.135	€ 34.8	2	Throttle Plate	64	64595.012	€ 0	2	Air By-Pass Screw
31	64520.027	€ 0.6	4	Throttle Plate Fixing Screw	65	64590.008	€ 5.8	2	Progression Hole Inspection Cover
33	41565.002	€ 0.4	1	Throttle Stop Screw O Ring					

<https://www.carbparts.eu>

Prices and product availability are subject to change

